

■ WD-BF90 Bar-fedded turn track 90°



The turn track is made from stainless steel and fitted with plastic stopper hooks made from non-fric. It is driven by the machine's feeder via a feeder bar. No additional motor is needed. The open construction of the turn track makes cleaning easy. The frame is made from non-corrosive square tubing and fitted with adjustable plastic feet.

Art no	Description	Size LxWxH
3-4546H	90° bar-fedded turn track, R-L	780x780x905
3-4546V	90° bar-fedded turn track, L-R	780x780x905

■ WD-BF180 Bar-fedded turn track 180°



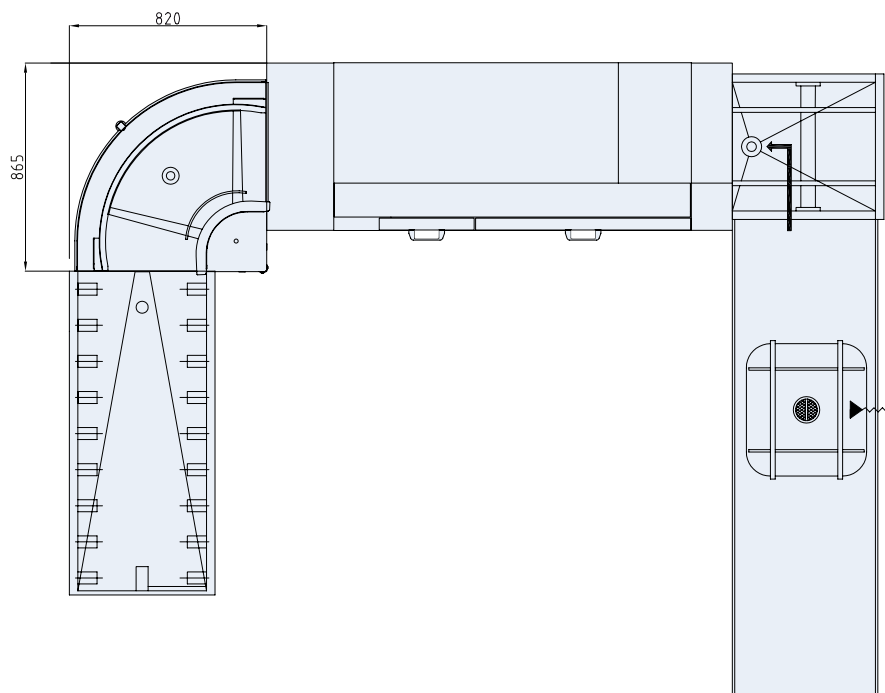
The turn track is made from stainless steel and fitted with plastic stopper hooks made from non-fric. It is driven by the machine's feeder via a feeder bar. No additional motor is needed. The open construction of the turn track makes cleaning easy. The frame is made from non-corrosive square tubing and fitted with adjustable plastic feet.

Art no	Description	Size LxWxH
3-4547H	180° bar-fedded turn track, R-L	780x1340x905
3-4547V	180° bar-fedded turn track, L-R	780x1340x905

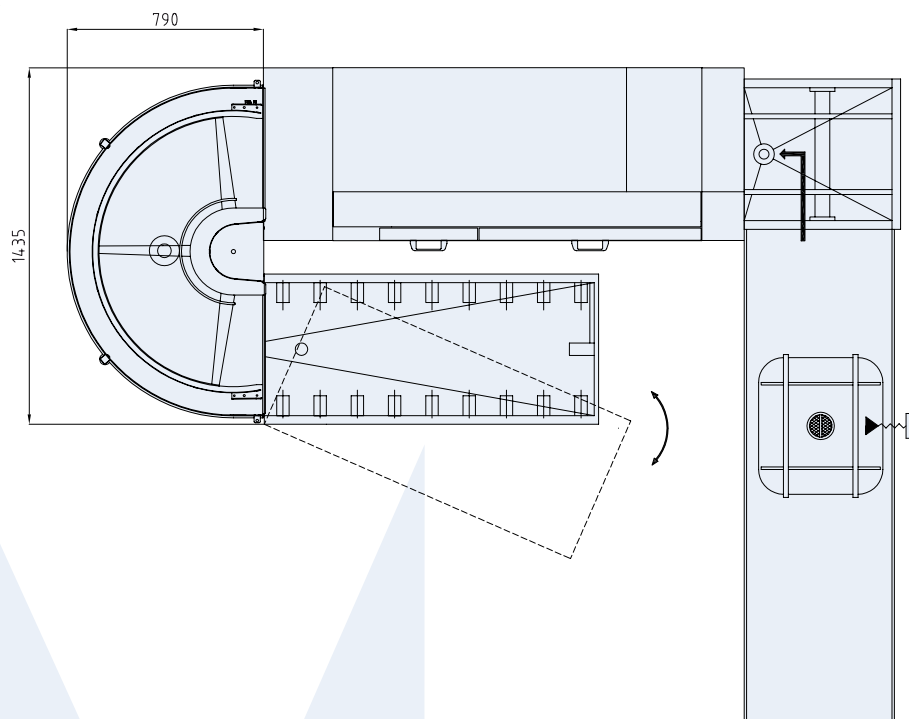
Layout washing room

Size in mm (installation dimension)

90° bar-fed turn track



180° bar-fed turn track



Telefon: +46 470 77 12 00

Telefax: +46 470 237 52

Adress: Mårdvägen 4
SE-352 45 Växjö
SVERIGE

E-post: wexiodisk@wexiodisk.com

Wexiödisk

www.wexiodisk.com