

# Pistol sprayer

with thermostatically controlled temperature regulation

The unit is manufactured of chrome-plated brass, and consists of a thermostatically controlled temperature regulator, stand pipe with wall attachment unit and hook, black high-pressure hose with equalizer spring, and hand sprayer which turns off automatically.

## AREA OF UTILIZATION

The pre-rinse sprayer is used to rinse away food scraps before washing in the machine, and as an aid when washing large utensils.

The swivelling spout provides flexibility when filling sinks, etc.

## INDUSTRIAL SAFETY

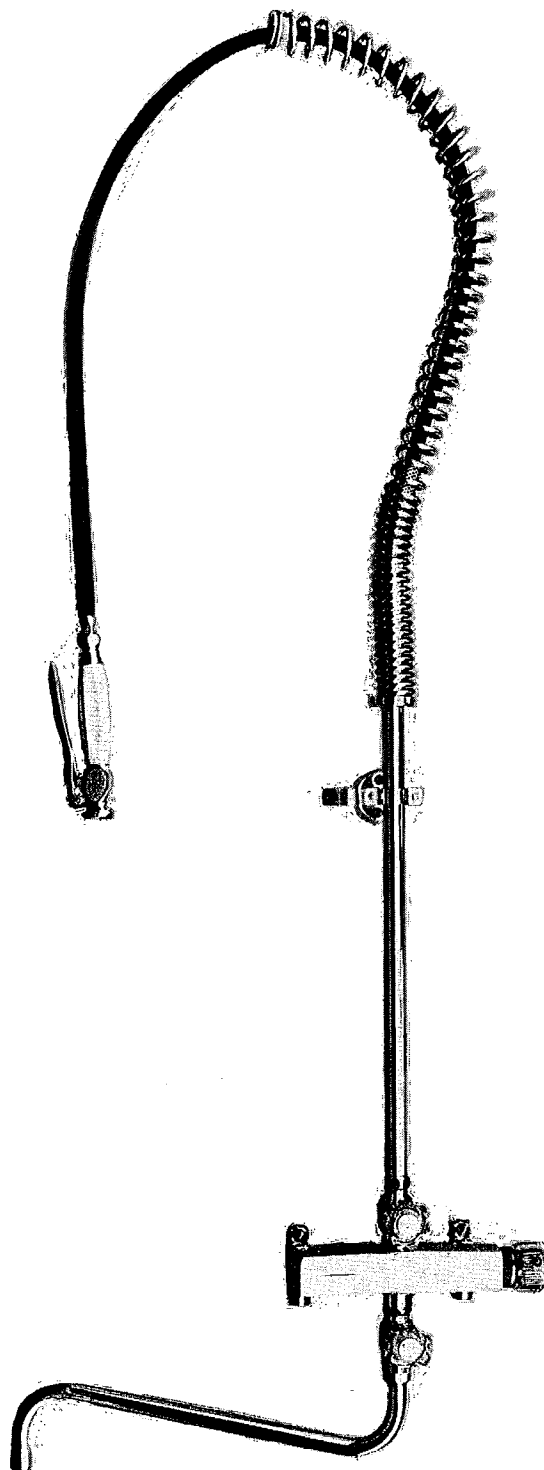
A higher temperature than 45° C can only be obtained by depressing a safety catch.

Should the cold water supply cease to function for any reason, a valve automatically closes the unit.

According to the National Swedish Board of Occupational Safety and Health's instruction 1982:20 - § 48 a pistol sprayer at the sorting table shall automatically provide water at a temperature of 35-45° C.

## TECHNICAL DATA

Conn. cold water no. 15  
warm water no. 15

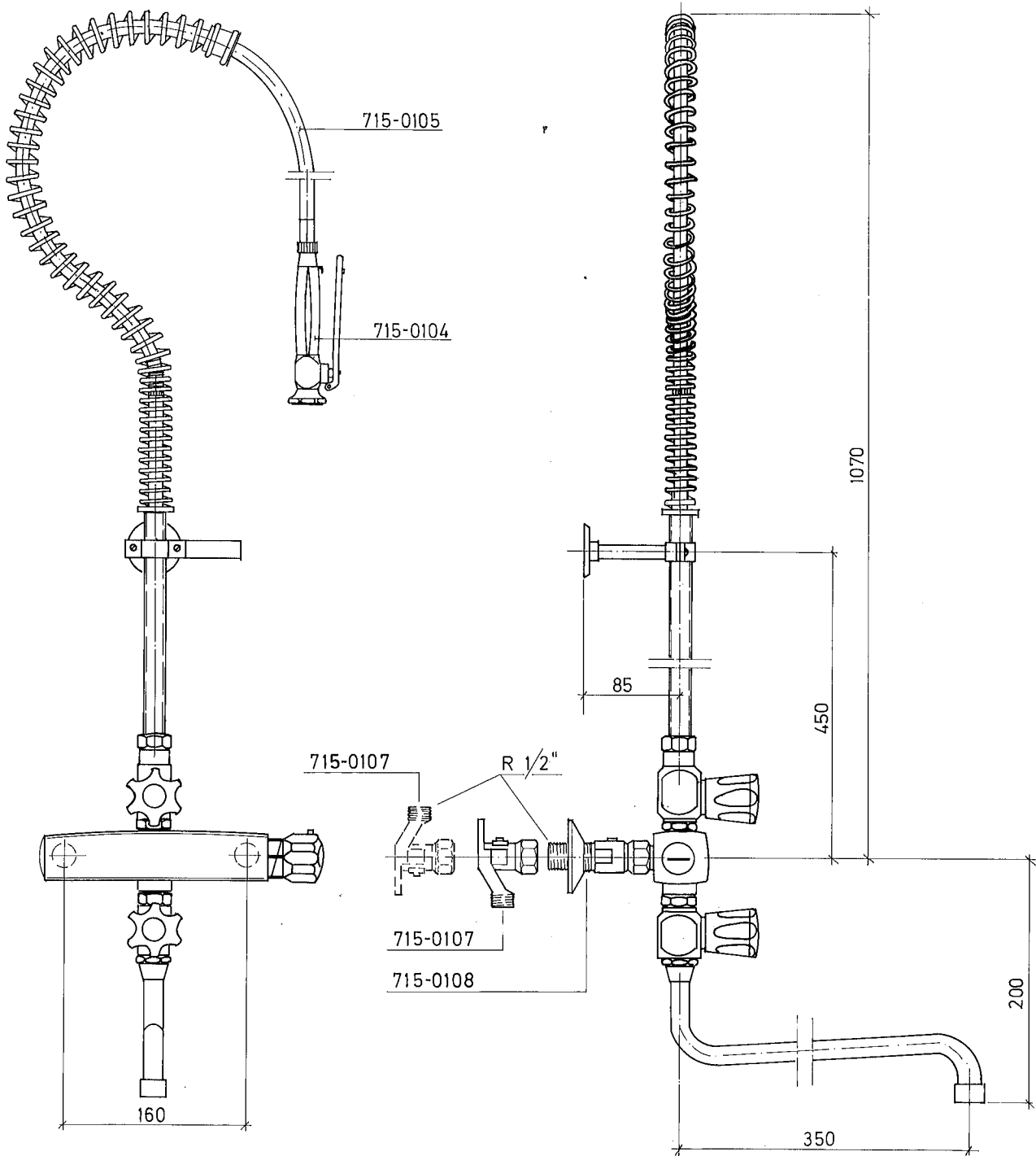


Art. no.	Description
9-9010	Pistol sprayer with thermostatically controlled temperature regulation



# Pistol sprayer

with thermostatically controlled temperature regulation



Art. no.	Description
715-0105	Sprayer hose
715-0104	Handsprayer
715-0107	Connection for feeding from floor or ceiling (included)

### Extra equipment

Art. no.	Description
715-0108	Connection for feeding from wall (optional as an extra)
715-0105	Hose 310006
715-0104	Sprayer handle 310005