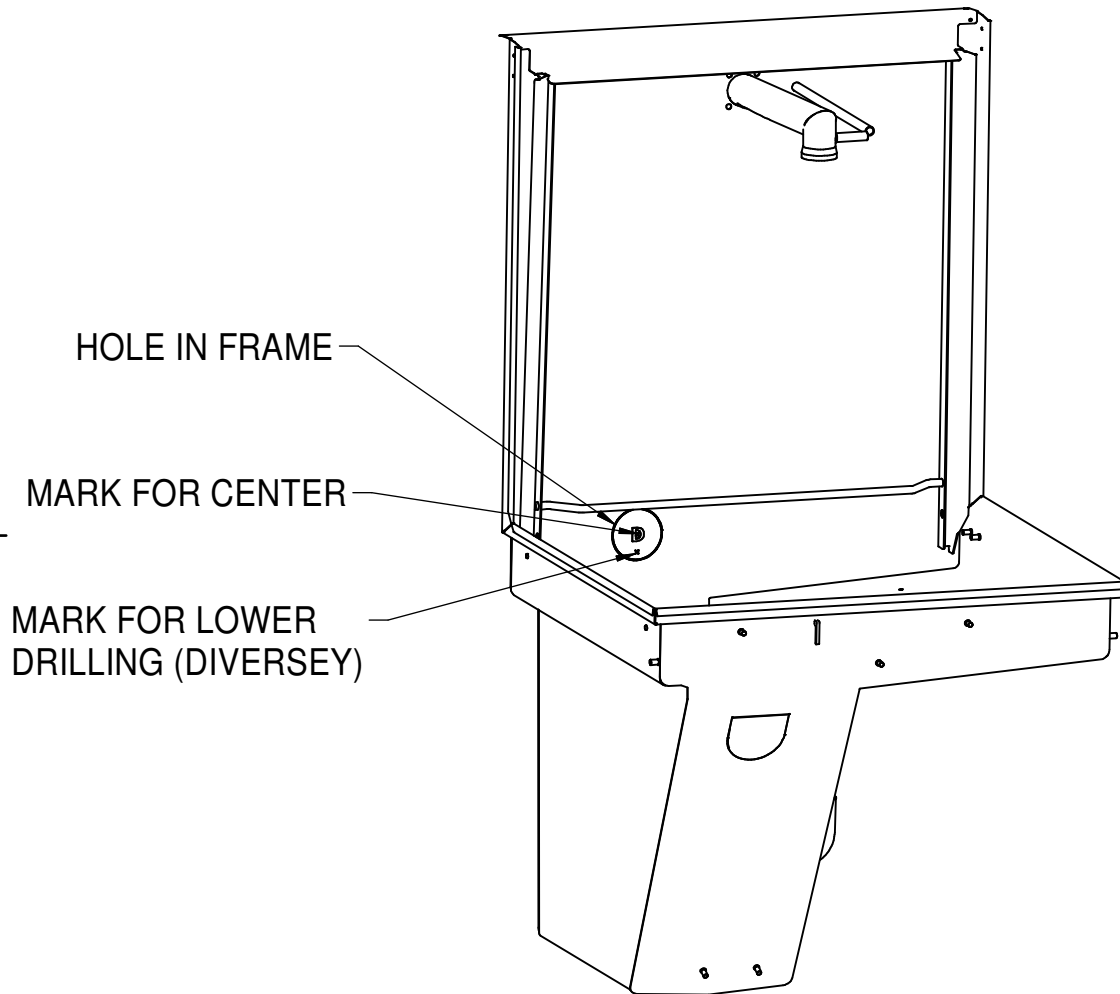


THIS DRAWING CONTAINS CONFIDENTIAL INFORMATION AND REMAINS THE PROPERTY OF WEXIÖDISK AB AND MAY NOT, WITHOUT WHOSE PERMISSION, BE COPIED, SHOWN OR HANDED TO A THIRD PARTY, OR BE USED AS A BASIS FOR ALTERNATE DESIGNS.



Konstr. RF	Ritad RF	Generell tolerans SS-ISO 2768 m	Konstr.	Reg.-nr 5.1	Godk.	Skala	Ersätter	Ersatt av
Wexiödisk SKISS MÄRKE DISKMEDEL RYGG WD-6/7/8							Filnamn 400321.dwg	Dat. 16-12-20
							Ritn.-nr 400321	Rev.