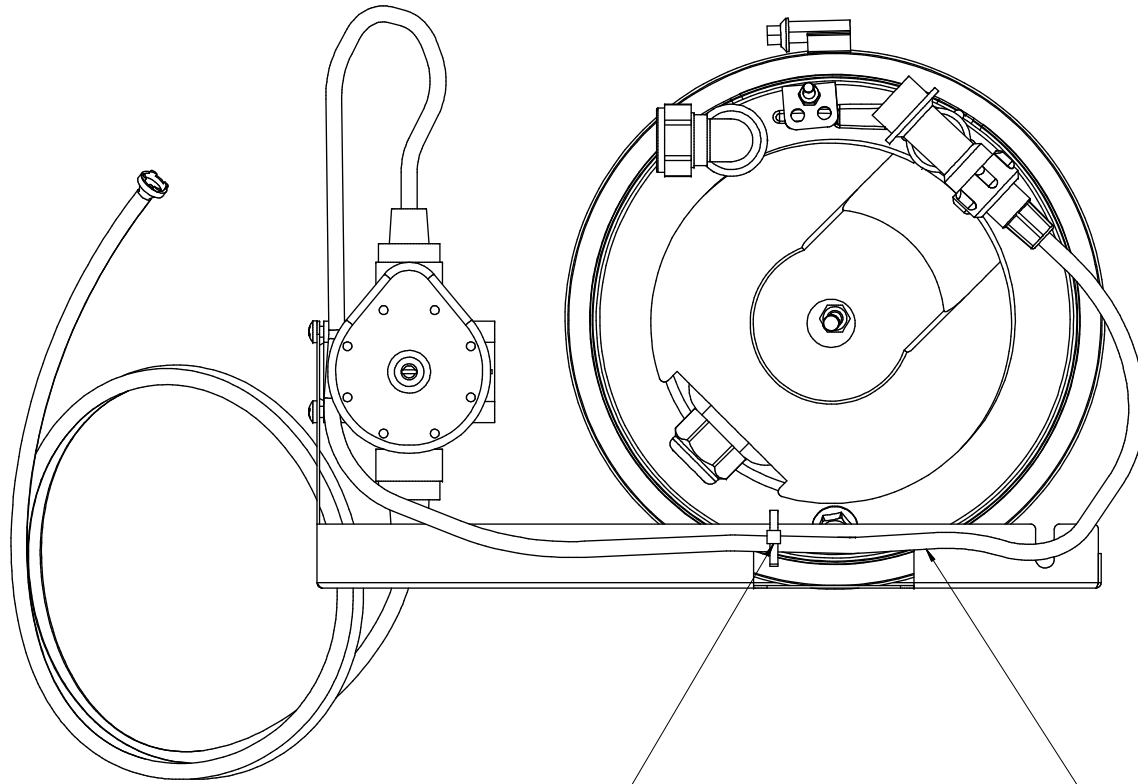


THIS DRAWING CONTAINS CONFIDENTIAL INFORMATION AND REMAINS THE PROPERTY OF WEXIÖDISK AB AND MAY NOT, WITHOUT WHOSE PERMISSION, BE COPIED, SHOWN OR HANDED TO A THIRD PARTY, OR BE USED AS A BASIS FOR ALTERNATE DESIGNS.



FÄSTES MED 1 ST BUNTBAND  
ATTACHED WITH ONE STRIPER

TORKMEDELSSLANG DRAGES PÅ UTSIDAN  
AV PLÅTEN.  
HOSE ATTACHED ON THE OUTSIDE OFF  
THE PLATE.

Konstr.	Ritad	Generell tolerans	Kontr.	Reg.-nr	Godk.	Skala	Ersätter	Ersatt av
RF	RF	SS-ISO 2768 m		5,1				
<b>Wexiödisk</b> INSTRUKTION DRAGNING T-MEDELSSLANG							Finamn	Dat.
							309310.dwg	19-01-03
WD-6/WD-7/WD-8/DUPLUS							Ritn.-nr	Rev.
							309310	