



WD-151E

RACK CONVEYOR DISHWASHER

FEATURES

- User-friendly
 - Ergonomically designed to provide a good working environment
- Low operating costs and a reduced environmental impact
 - Low water and energy consumption
- Excellent wash results
 - Long washing zones with powerful pumps
- Long service life and easy servicing
 - Made entirely of stainless steel
- Improved hygiene with vertical self emptying wash- and rinse pumps
- Adjustable rate
- Wash arms in stainless steel, with quick fit/removal function. Easily cleaned and without endcovers
- Removable doors for simple cleaning
- Prepared for connection to prewash-machine (PRM) using excess water from the dishwasher
- Electricity and water connections from top
- Drain integrated in the machine for easy cleaning and draining
- ECO-FLOW – condensing unit with heat recovery by the exhausted steam

OPTIONS

- Pre-rinse zone L=400 mm
 - Electrical connection of PRM by the dishwasher
 - Drying zone WD-T60
L=600 mm, insulated. Power 3,3 kW.
 - Stand with grid shelf
 - Stand with plane shelf
 - Drying zone WD-T80, to turn track
L=820 mm, insulated, for connection to the machine together with 90°/180° bar-fedded or machine driven WD turn track.
Power 3,3 kW.
 - Double drying zone WD-T90
L=900 mm, insulated. With stand.
Power 6,6 kW.
 - Grid shelf
 - Plane shelf
 - Divided between machine and drying zone
 - 230V/3/50Hz
 - Marine version 400/3/50Hz without neutral
 - Marine version 440/3/60Hz without neutral
 - Steam heated design, steam pressure 50-149 kPa
 - Steam heated design, steam pressure 150 - 250 kPa
 - Booster pump
 - Break tank included with booster pump
 - Booster heater 12 kW for re-circulating final rinse
 - RO-water connection
 - Stainless pipes and couplings in final rinse
 - Cold water connection
 - Water connection from floor
 - Contactor* for entry conveyor
 - Contactor* for exit conveyor
 - Contactor* for entry and exit conveyor
- *Note! It's always necessary to specify the motor power of the conveyor. If not specified, protective motor switch of 0,63-1A will be delivered.



- Easy servicing - the machine is serviced from the front
- Singel lever for emptying the tanks, automatic closing of tanks when refilling is starting
- Monitoring system of the machine's various functions
 - Panel which displays the information
- Web Tool with HACCP documentation

- Timer for pre-rinse
- Timer for through-rinse
- Timer for chain-rinse
- Timer start, machine ready for wash
- Contactor for control of pre-rinse without timer
- Contactor for pre-rinse with booster pump
- Connection power restriction
- Connection power restriction Sicotronic
- Inter-locking of one booster heater
- External power indication
- Auto self cleaning of wash zone
- Auto self cleaning of condens batteri
- Auto self cleaning of wash zone + condens batteri
- Web Tool with HACCP documentation for cost- and consumption report

TECHNICAL DATA	WD-151E
Pump, pre-wash (kW)	-
Pump, chemical wash 1 (kW)	1.5
Pump, chemical wash 2 (kW)	-
Pump, chemical wash 3 (kW)	-
Pump, recirculating final rinse (kW)	0.11
Fan, heat recovery (kW)	0.12
Motor, feeder (kW)	0.12
Booster heater 1 (kW)	9
Booster heater 2 (kW)	9
Heater, chemical wash 1 (kW)	12
Heater, chemical wash 2 (kW)	-
Heater, chemical wash 3 (kW)	-
Heat recovery unit, cooling area (m ²)	25
Fan heat recovery, capacity (m ³ /h)	100
Tank volume, pre-wash tank (litres)	-
Tank volume, wash tank 1 (litres)	100
Tank volume, wash tank 2 (litres)	-
Tank volume, wash tank 3 (litres)	-
Tank volume, final rinse tank (litres)	6
Weight, dishwasher in operation (kg)	490
Degree of protection (IP)	55

EXTRA EQUIPMENT

- Conduit for connection cable, L=1200 mm

CAPACITY AND OPERATING DATA	WD-151E
Capacity normal wash (baskets/h)	70-150*
Capacity according to DIN 10510 (baskets/h)	80
Max capacity interlocked booster heater (baskets/h)	150
Cold water consumption, final rinse normal (litres/basket)	1.8
Energy consumption (% of connected power)	70-90%
Steam consumption** (kg/h)	50
Environmental temperature at 20°C room temperature (°C)	35
Sound level*** (dB(A))	68

- * Maximum capacity 240 baskets/h.
** For steam-heated dishwasher
*** Measured 1 metre from the side of the machine

CONNECTION, ELECTRICALLY HEATED DISHWASHER	WD-151E
Total connected power (kW) interlocked booster heater (kW)	23,6
Total connected power (kW)	32,6
Main fuse 400V 3N~(A)*	50
Max. connection area 400V 3N~(L1-L3, N, PE) Cu (mm ²)	35

- * Other voltages on request

CONNECTION, STEAM-HEATED DISHWASHER 150-250 KPA*	WD-151E
Total connected power (kW)	1.8
Main fuse 400V 3N~(A)	16
Max. connection area 400V 3N~(L1-L3, N, PE) Cu (mm ²)	25
Steam connection (internal thread)	R ¾"
Condensation connection (internal thread)	R ½"

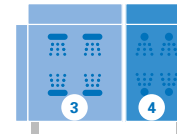
- * Other pressures on request.

CONNECTION, WATER, DRAIN AND VENTILATION	WD-151E
Water quality, hardness (°dH)	2-7
Hot water connection 50-65°C (internal thread)	R ½"
Cold water connection 5-12°C (internal thread)	R ½"
Drain connection, PP pipe (ø mm)	50
Water capacity, pressure (kPa)	250-600
Water capacity, flow (litres/min)	11
Floor drain, capacity (litres/sec)	3
Heat load to the room (total, sensible, latent) (kW)	7.5 / 4.5 / 3.0

SIZE AND WEIGHT FOR TRANSPORT, STANDARD DISHWASHER*	WD-151E
Size** (LxWxH (m))	2.1x0.8x2.0
Weight** (kg)	400

- * Normal delivery in 1 piece, If necessary the machine can be further dismantled
** Packaging included

CONNECTION, ADDITION OF DRYING ZONE	Power (KW)	Main fuse 400V 3N~(A)	Installed length (mm)
Drying zone WD-T60 + WD-151E	35.9	50	600 + 1655
Drying zone WD-T90 + WD-151E	39.2	50	900 + 1655
Drying zone hood WD-T80 for turn track + WD-151E	35.9	50	820 + 1655
Drying zone hood WD-T60F free-standing + WD-151E	35.9	50	600

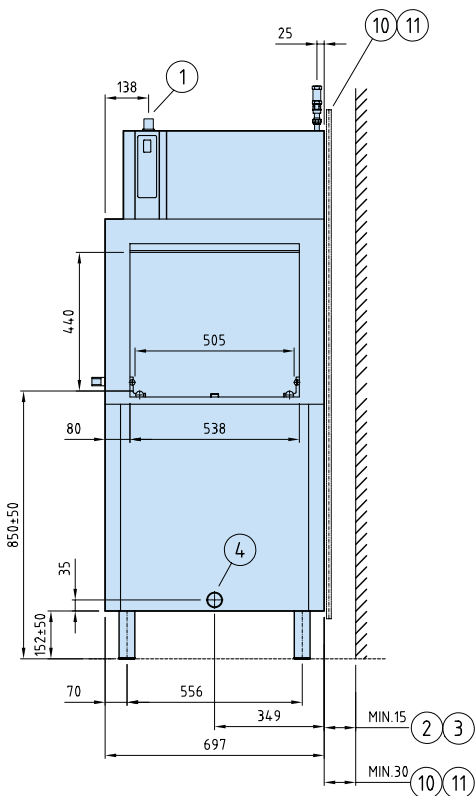
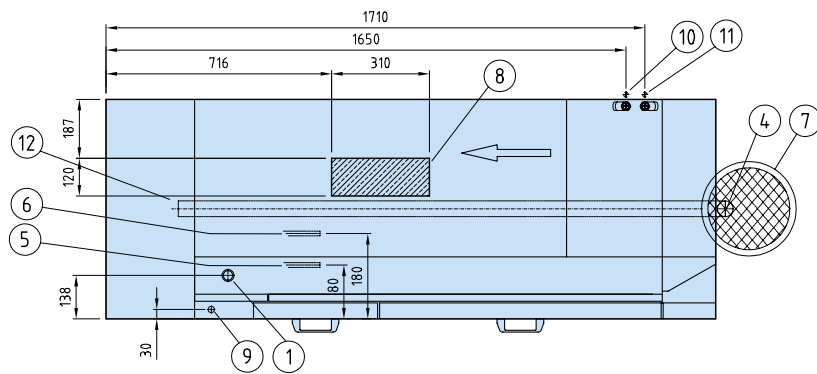
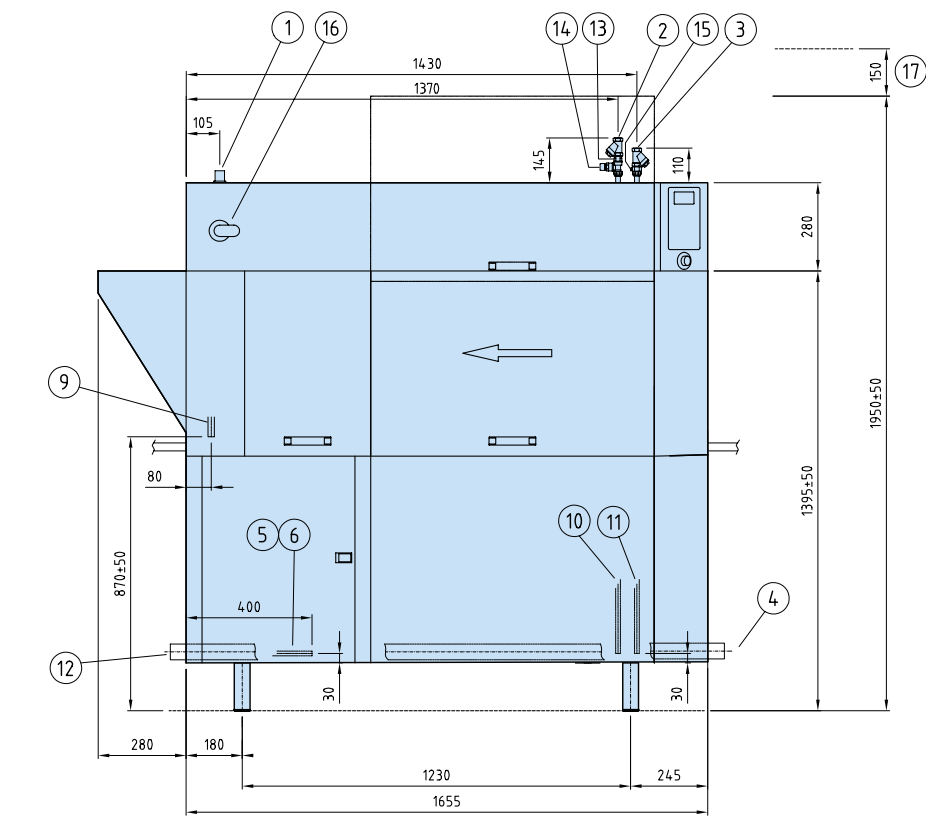


Zone

Zone	Zone length in mm
------	-------------------

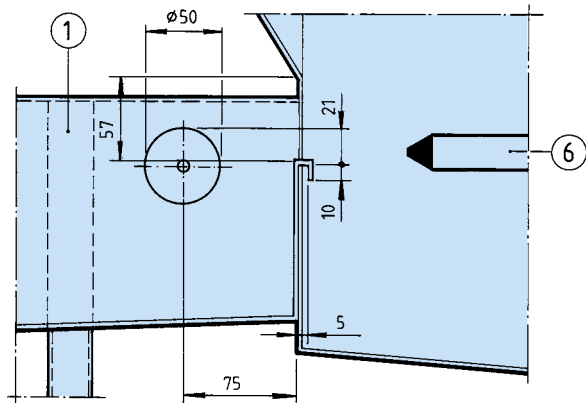
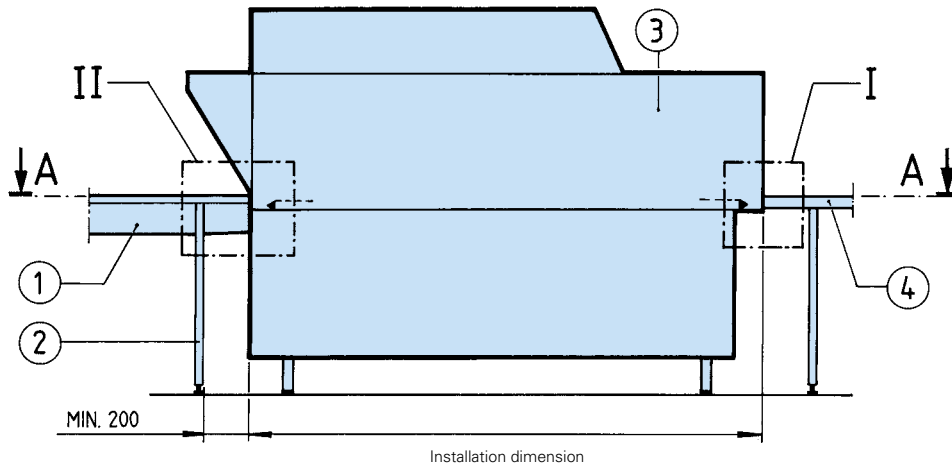
WD-151E	
Loading hood	170
3 Chemical wash	900
4 Double final rinse	585
Length	1655 *

- * Installation dimensions at bench height.
The steam hood over the unloading area adds a further 280 mm. (see the dimension drawing)

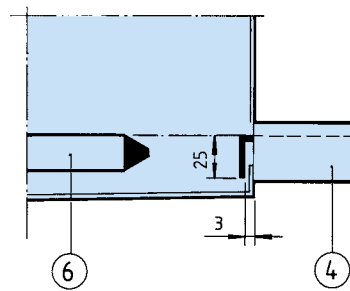


1. Electrical connection
2. Cold water connection/filter
3. Hot water connection/filter
4. Drain connection
5. Steam connection
6. Condensation connection
7. Floor drain
8. Exhaust steam, condensing battery
9. Alternative electrical connection
10. Alternative cold water connection
11. Alternative hot water connection
12. Alternative drain connection
13. Non-return valve
14. Vacuum valve
15. Water outlet for detergent dispenser
16. Main switch
17. Servicing area

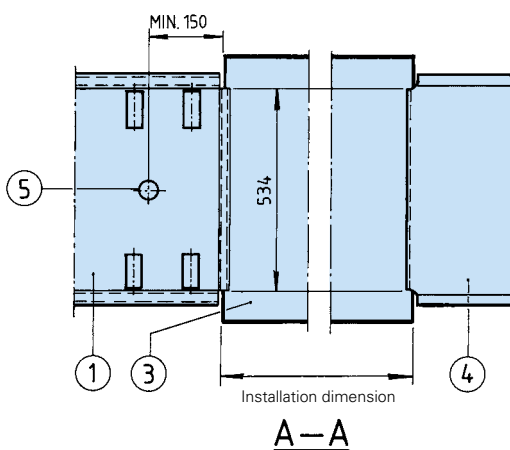
CONNECTION TO ROLLER TABLE OR BENCH



Connection to roller table (II)



Connection to bench (I)



- 1. Roller table
- 2. Leg
- 3. Dishwasher
- 4. Bench
- 5. Drain
- 6. Loading cradle

We reserve the right to change technical data.

Wexiödisk

TELEPHONE: +46 470 77 1200 FAX: +46 470 23752 ADDRESS: Mårdvägen 4 SE-352 45 Växjö SWEDEN
E-MAIL: wexiodisk@wexiodisk.com WEBB: www.wexiodisk.com