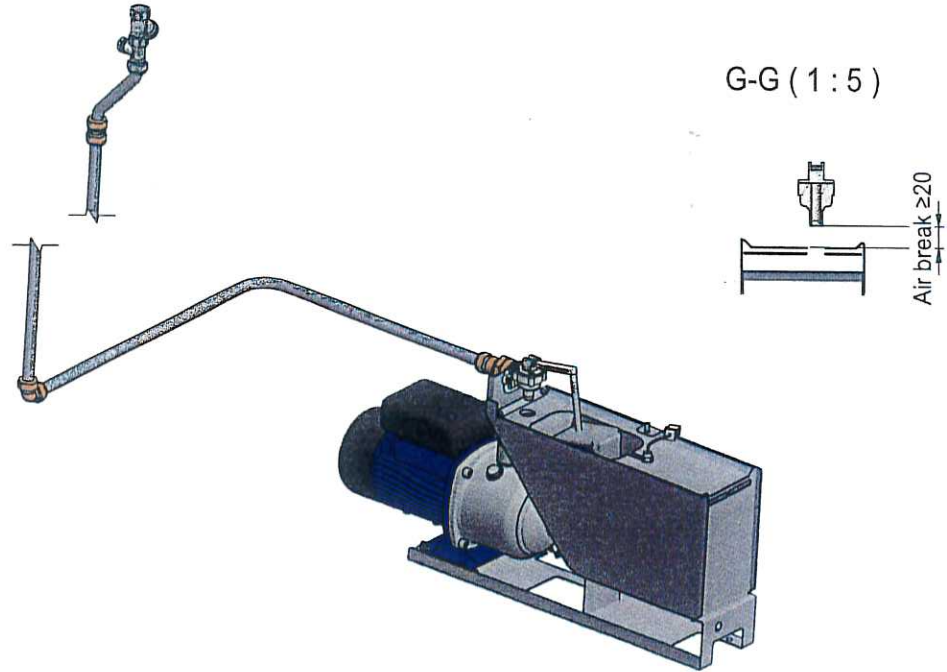
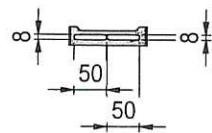


Section Overflow
F-F (1 : 8)



Detailed parts list on separate file!

| | | | | | | |
|-----|---|---------------------------------|-----------------|--|--|-----------|
| 13 | 1 | Plug | Brass | | | 705,3008 |
| 12 | 1 | Gasket Klingers 19x13x2 | | | | 701,0122 |
| 11 | 1 | T-coupling-15x15x1/4 | Brass | | | 705,2208D |
| 10 | 1 | Nipple 20x15 | Brass | | | 706,0704 |
| 9 | 2 | Nut 15 | Brass | | | 705,0315D |
| 8 | 1 | Pipe | Stainless steel | | | 47281,31 |
| 7 | 1 | Coupling straight 15x15 MF | Brass | | | 705,0914D |
| 6 | 1 | Strainer 1/2" | Stainless steel | | | 709,1805D |
| 5 | 1 | Angular connection 15x15 | Brass | | | 705,1205D |
| 4 | 1 | Pipe | Stainless steel | | | 304189,32 |
| 3 | 1 | Pipe | Stainless steel | | | 304189,31 |
| 2 | 1 | Coupling straight 15xR15inv.FKR | Brass | | | 705,1009 |
| 1.1 | 1 | Float valve AuK Müller | | | | 709,4021 |

01

| Det | Ant | Benämning | Material | Ytbeh | Dimension | Art. nr |
|----------------------------|-------|-------------------|----------|---------|-----------|--|
| Konstr. | Ritad | Generell tolerans | Kontr. | Rug.-nr | Godk. | Skala |
| ANO | ANO | SS-ISO 2768 m | | | | |
| Warm water connection DVGW | | | | | | Filnamn 306108.dwg Datum 14-01-31 |
| Wexiödisk | | | | | | Art.-nr 306108 Rev. 03 |
| WD-90GR | | | | | | |

| | | | | |
|-----|--|------------|------|-------|
| 03 | 706,0704 was 706,0704D. 705,3008 was 705,3008D | 2018-04-16 | ANO | ANO |
| 02 | New break tank (approved 2016-05-19) | 2016-05-23 | ANO | ANO |
| 01 | Float valve 709,4021 was 709,4020. | 2015-09-01 | ANO | ANO |
| Rev | Ändring och/eller medd.-nr | Datum | Inf. | Godk. |