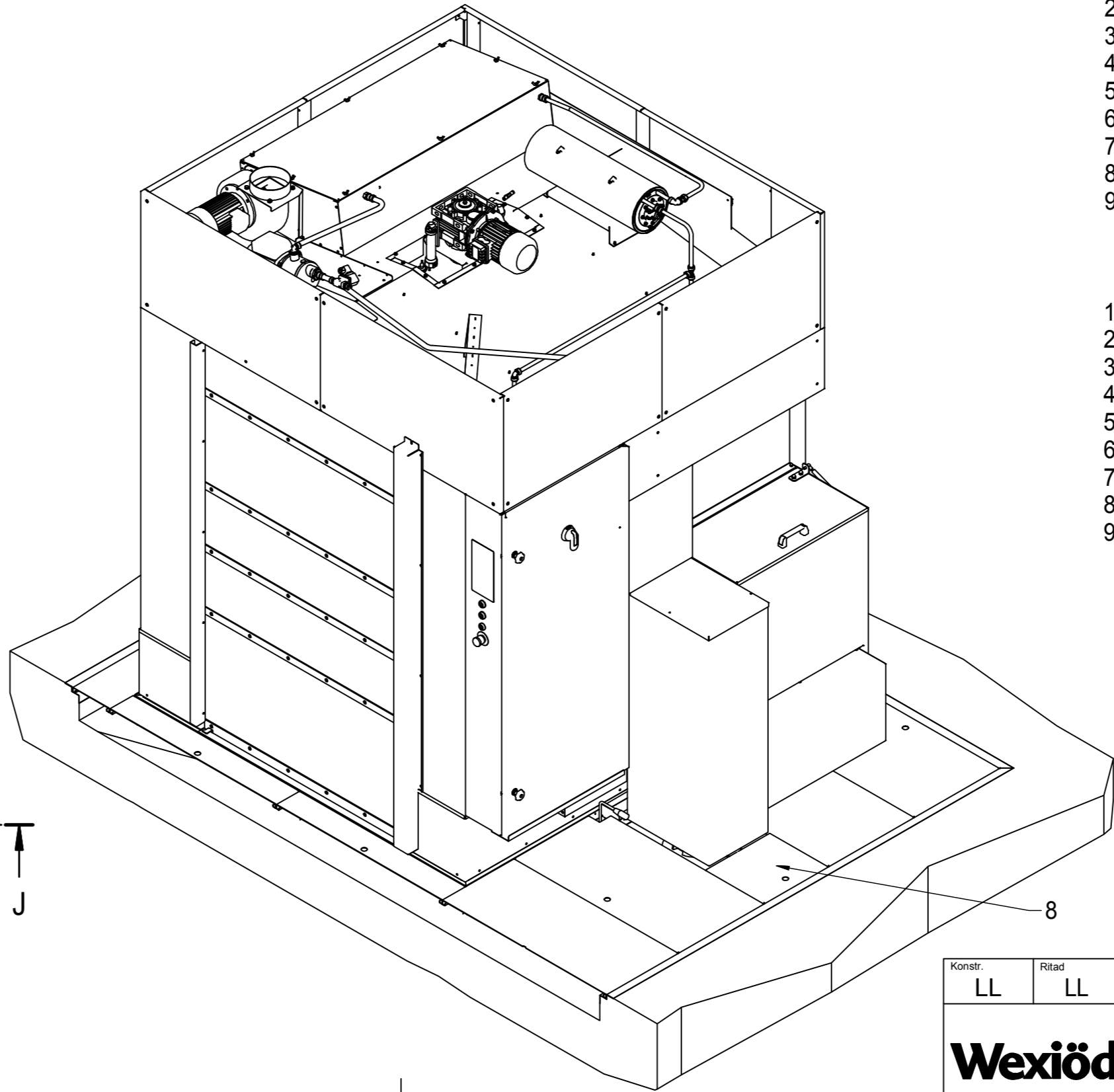
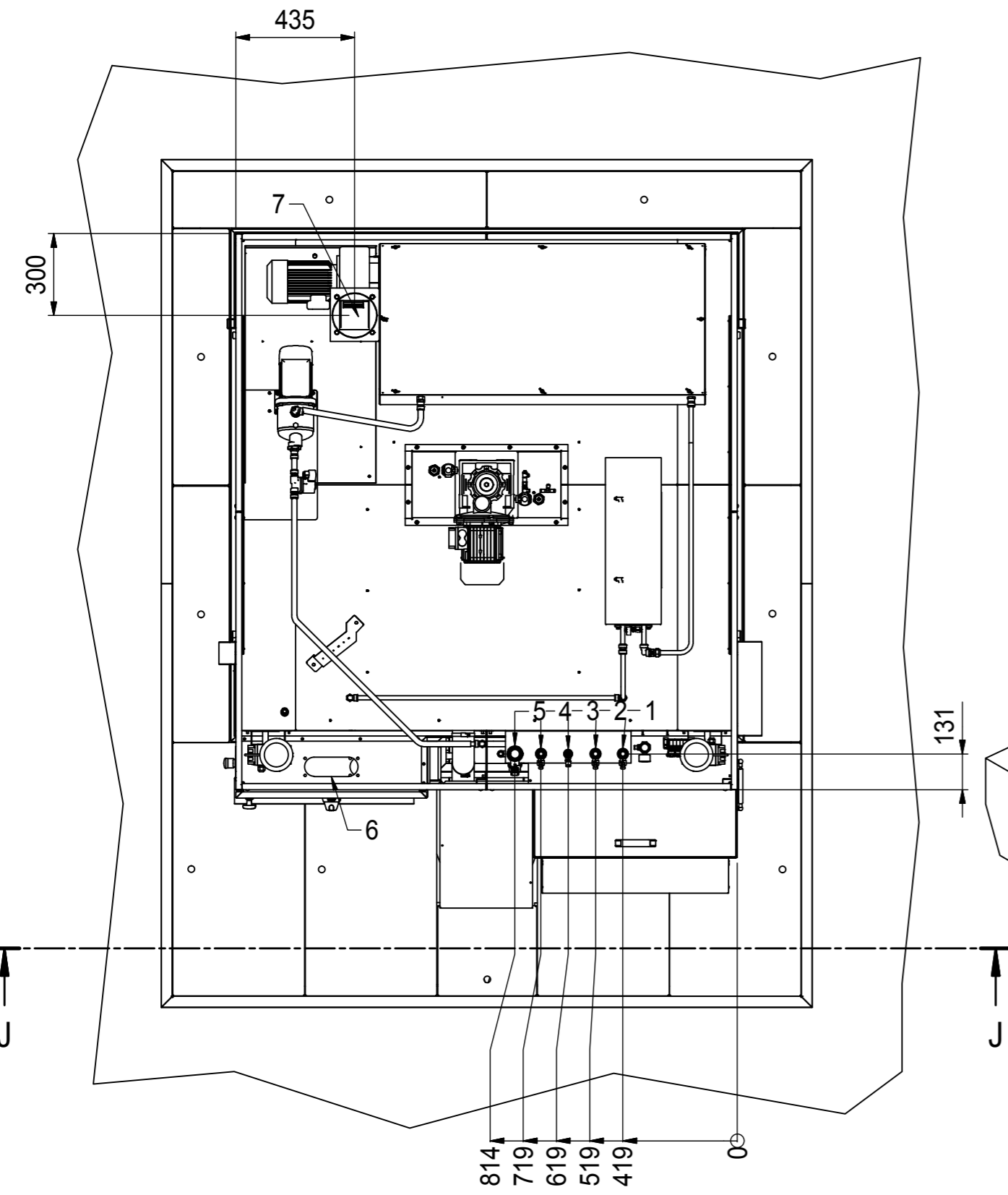


1. Varmvatten DN 20 30l/min. 300 kPa
2. Kallvatten DN 20 30l/min. 300 kPa
3. Tryckluft DN15 600 kPa-50l/min.
4. Kondensat DN 20
5. Ånga DN 32 150-250 kPa 90 kg/h
6. Elanslutning 52,5 kW(el. heating) 4,5 kW (Steam heating)
7. Ventilation Ø160 - 1400 m³/h (60sek./program) (Dragavbrott)
8. Avlopp (200 l/min.)
9. Max godshöjd (standard)



1. Hot Water DN 20 30l/min. 300 kPa
2. Cold Water DN 20 30l/min. 300 kPa
3. Compressed air DN15 600 kPa-50l/min.
4. Condensate return DN 20
5. Steam DN 32 150-250 kPa 90 kg/h
6. Electrical connection 52,5 kW(el. heating) 4,5 kW (Steam heating)
7. Exhaust connection Ø160 - 1400 m³/h (60sec./cycle) (Air gap)
8. Floor drain (200 l/min.)
9. Max goods height (standard)

1. Warmwasser DN 20 30l/min. 300 kPa
2. Kaltwasser DN 20 30l/min. 300 kPa
3. Druckluft DN 15- 600 kPa-50l/min.
4. Kondensat DN 20
5. Dampf DN 32 150-250 kPa 90kg/h
6. El. Anschluss 52,5 kW(el. heating) 4,5 kW (Dampfheizung)
7. Abluft Ø160-1400m³/h (60sek./ Waschgang) (Luftspalt)
8. Ablauf (200 l/min.)
9. Max Güterhöhe (standard)

Golvgröp: Ritning 11061
 Floorpit : Drawing 11061
 Bodengrube: Zeichnung 11061

Konstr.	Ritad	Generalisering	Kontr.	Reg.-nr	Godk.	Skala	Ersätter	Ersatt av
LL	LL	SS-ISO 2768 m			MG	1:20		
Wexiödisk Trolley washer Double door Embedded Inst. WD-18CW							Filnamn	Dat.
							27840.DWG	09-03-10
							Ritn.-nr	Rev.
							27840	02