

WD-12

COMBI-DISHWASHER

FEATURES

- Flexible combi-dishwasher with large dishwashing area
- The machine has adjustable washing pressure for normal and heavily soiled loads
- Powerful and effective – extraordinary washing results with dual pumps and rinsing system
- Robust and reliable design in stainless steel with components that guarantee a durable and reliable operation for many years
- The machine has an energy saving heat and sound insulating double-skinned hood.
- A good working environment with the unique hood concept
- Automatic hood
- High levels of hygiene with an automatic cleaning programme and guaranteed rinse temperature by thermal stop system
- Self-drained wash pump
- Large deep tank to protect against foaming
- Easy servicing - the machine is serviced from the front
- Hygiene control – control system with integrated HACCP
- Excellent wash results – with selfdraining washing arms
- Powerful washing pressure with anti-blocking nozzles



- Individual adjustable wash- and rinse times as well as temperatures for each programme
- Dosing pump for fine dosage of rinse aid
- Break tank with booster pump
- Automatic cleaning program

OPTIONS

- 230V/3/50Hz
- Marine version
- Steam heated design, pressure 150-250kPa
- Drain pump
- Exhaust channel 200 x 100 mm
- ECO-FLOW condensing unit with heat recovery by the exhausted steam. (cold water connection is required)
- Additional booster heater for cold water connection
- Foldable shelf
- Connection power restriction
- Stainless couplings in the final rinse
- Panel on left side
- Connected to WD-PRM7
- WEB Tool - For external HACCP documentation

EXTRA EQUIPMENT

- Stainless steel basket 1040 x 500 mm

TECHNICAL DATA	WD-12
Washing pump (kW)	2x2.35
Booster heater (kW)	12
Booster heater (machine with cold water connection) (kW)*	12+9
Booster heater (condensing unit) kW*	15
Tank heater (kW)	9
Booster pump (kW)	0.67
Drain pump (kW)*	0.17
Tank volume (liter)	120
Weight, machine in operation (kg)	480
Enclosure class (IP)	55

* Option

CAPACITY AND OPERATING DATA	WD-12
Total washing time P1 (min) *	1.2
Total washing time P2 (min) *	3.2
Total washing time P3 (min) *	5.2
Max. capacity, baskets/hour (no.)	100
Water consumption rinsing/programme (liter) **	6 - 8
Noise level (dB(A))***	67

* Factory setting. The washing time can be adjusted.

** Applies under ideal conditions. The water consumption depends on local conditions. Fine adjustments can be made during installation.

*** Measured 1 metre from the side of the machine.

CONNECTION, MACHINE	WD-12
Total connected power (kW)	16.7/25.7***
Main fuse 400-415V 3N~ (A) *	35/50***
Max. connection area 400-415V 3N~ (L1-L3,N,PE) Cu (mm ²) **	16

* Other voltage on request.

** Cable 3 m H07RN-F is included.

*** Option.

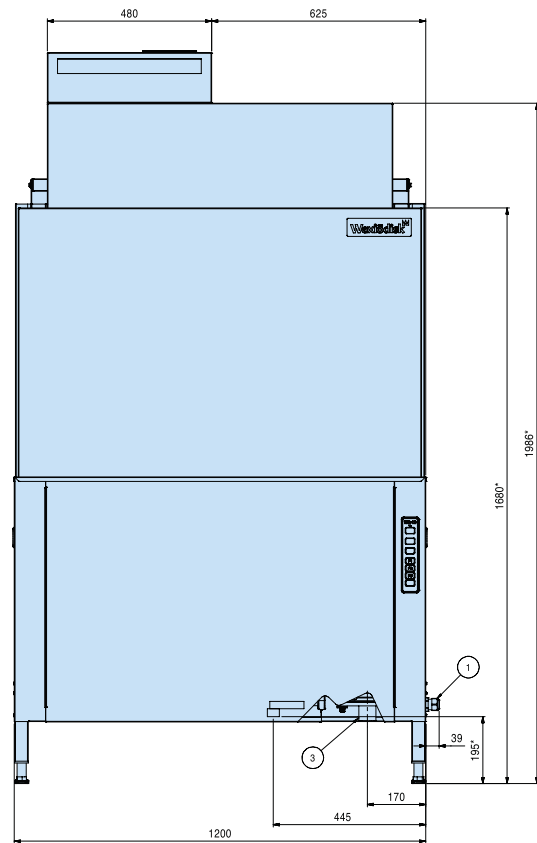
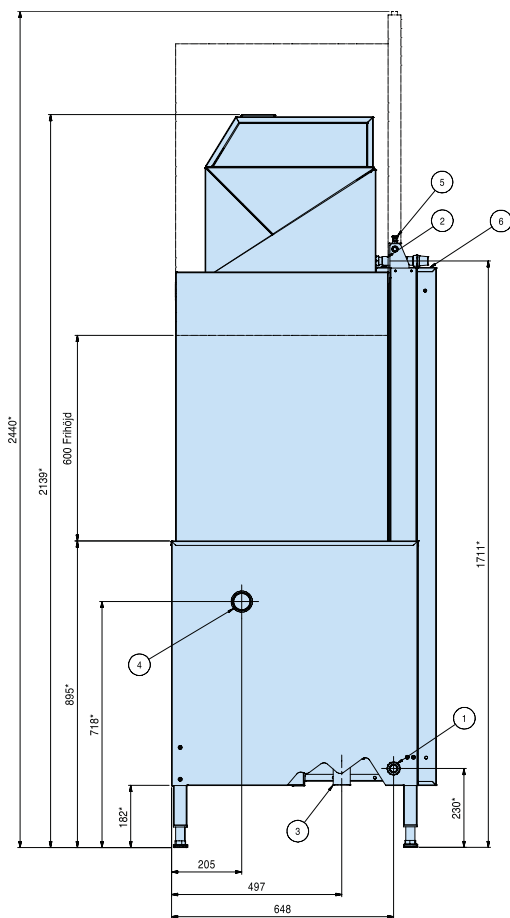
WATER, DRAIN AND VENTILATION CONNECTIONS	WD-12
Water quality, hardness (°dH)	2 - 7
Water connection 5-65°C (external thread) *	R ½"
Drain connection, PP pipe (ø mm.)	50
Water capacity, pressure (kPa)	20
Water capacity, flow (litres/min)	5
Steam connection (150-250 kPa) (internal thread) **	R ¾"
Condensation water (internal thread) **	R ½"
Floor drain, capacity (litres/sec)	3
Heat load to the room (total, sensible, latent) (kW)	4.9/3.6/1.3

* If colder water than 50°C a 12 kW booster heater is recommended.

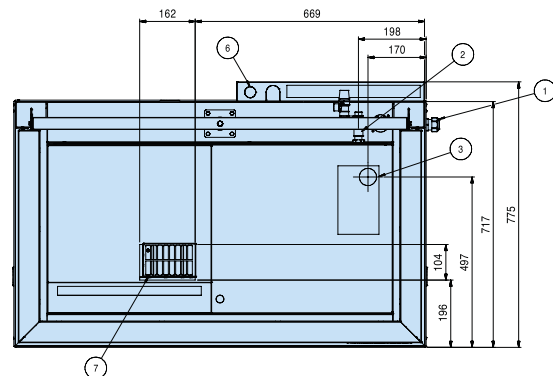
** Option

SIZE AND WEIGHT FOR TRANSPORTATION	WD-12
Size, LxWxH (mm.)*	1240x870x2000
Weight (kg)*	355

* Packaging included



1. Electrical connection
2. Cold water connection external thread R ½" 10 l/min 0.2 Bar
3. Drain Ø50 3l/sek
4. Plugged hole for detergent connection
5. Air bleeding screw lift cylinder
6. Alternative electrical connection
7. Exhaust condensing unit



We reserve the right to change technical data.

Wexiödisk

TELEPHONE: +46 470 77 1200 FAX: +46 470 23752 ADDRESS: Mårdvägen 4 SE-352 45 Växjö SWEDEN
E-MAIL: wexiodisk@wexiodisk.com WEBB: www.wexiodisk.com