



ACCESSORIES

CORNER FEEDER FOR RACK CONVEYOR MACHINES

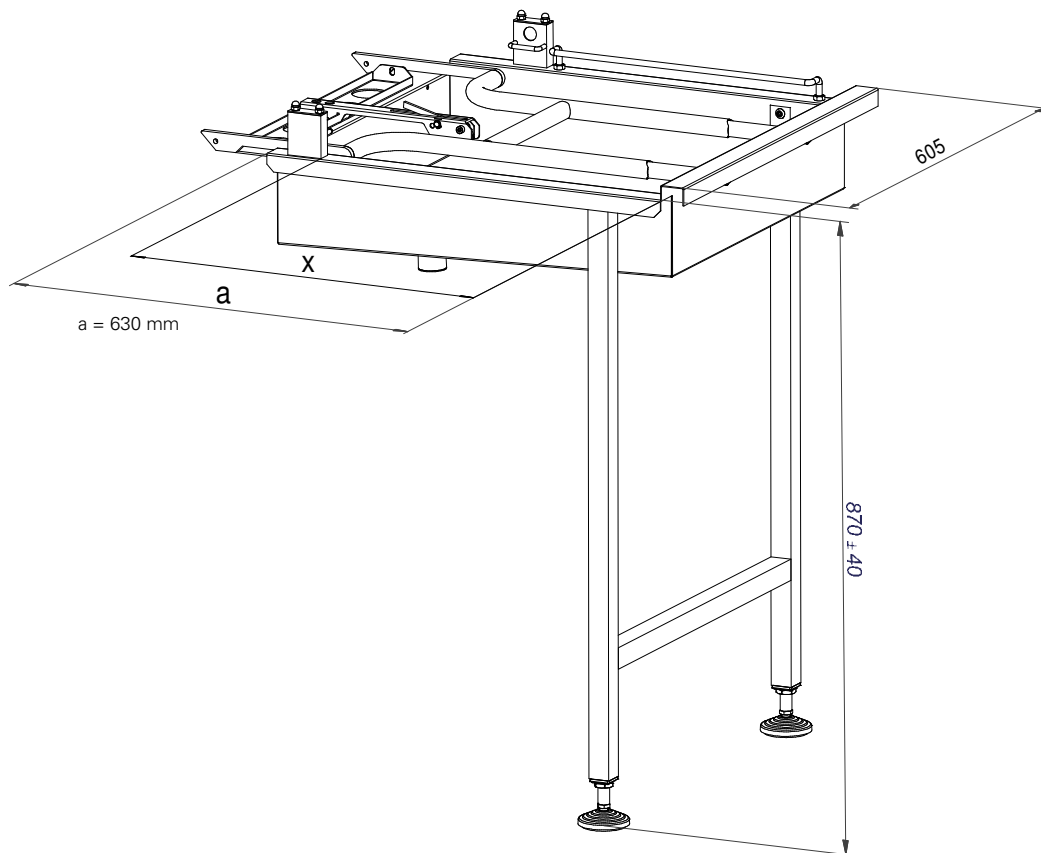
The corner feeder is made of stainless steel. The frame uses square tubing and has adjustable metal feet.

This unit uses the feeder system of the rack conveyor machine. No additional motor is needed.

The corner feeder is available for both left or right feeding. Can be used in a very small space.



CORNER FEEDER	LENGTH MM	WIDTH MM	HEIGHT MM	ART NO
Corner feeder standard	630	605	870 +/- 40 mm	3-4509
Corner feeder customized length	631-2785	605	870 +/- 40 mm	3-4511



Wexiödisk