



WD-90GR FLEX

POT DISHWASHER

(with or without granules)

- Efficient frontloaded potwasher, washes pots and pans with or without granules.
- Excellent washing results and fast drying with efficient and energy saving centrifuging spin cycle.
- Perfect for space efficient installations
- No manual pre-wash or scrubbing thanks to heavy rinsing with water and granules
- Stacking of goods can be made directly on the hinged door.
- Square washing cassette for containers, holds eight 1/2 or four 1/1 containers.
- Wide range of accessories for various items.
- Accessories for washing 65 and 40 mm-deep 2/1 containers and baking trays 600x400 mm.
- Hinged door enables for easy cleaning.
- Six different wash programs with HACCP function.
- Service can easily be made from the front or side
- Accessories incl in delivery: 1 pc square cassette, 3 pcs support wall, 3 pcs side holder, 1 pc flexibel insert, cleaning scraper and granules 10 kg.



OPTIONS

- Marine version 400V/3/50 without neutral
- Marine version 440V/3/60 without neutral
- Steam heated design, pressure 50-250 kPa
- Booster pump
- Break tank incl. booster pump
- Stainless couplings in the final rinse
- Connection power restriction
- Connection power restriction Sicotronic
- External power indication
- Web Tool with HACCP documentation and cost- and consumption report
- Drain pump

EXTRA EQUIPMENT

- Table trolley
- Sorting bench
- Holder for accessories, to be placed on the side of the machine
- Square cassette 209.7296 (1 pc included in the delivery)
- Cassette for canteens with handles
- Cassette for large boxes
- Basket for 4 pc GN 1/1-canteens - 200 mm deep
- Granules 10 kg (included in the delivery)
- Cleaning scraper (1 pc included in the delivery)

ACCESSORIES FOR CASSETTES

- All-round holder 209.7273
- Holder for utensils 209.7277
- Wire basket for small utensils 209.7278
- Holder for small pots 209.7279
- Support wall 209.7280 (1 pc included in the delivery)
- Flexible insert, to be used together with 209.7354 209.7281
- Holder for 1/3, 1/6 and 1/9 containers. 209.7282
- Holder for 1/4, 1/6 containers 209.7286
- Side holder 209.7354
- Rubber strap 209.7272

TECHNICAL DATA	WD-90GR FLEX
Granule pump (kW)	2.2
Wash pump (kW)	1.5
Motor for the round table (kW)	0,18
Booster heater (kW)	9
Heater tank (kW)	9
Tank volume (litres)	100
Weight, machine in operation (kg)	430
Granule volume (litres)	5
Degree of protection (IP)	IP55

CAPACITY AND OPERATION DATA	WD-90GR FLEX
Total time/wash program 1** (min) washing with granules, with spin (can be excluded by technician)	5
Total time/wash program 2** (min) washing with granules, with spin (can be excluded by technician)	8
Total time/wash program 3** (min) washing with granules, with spin (can be excluded by technician)	10.3
Total time/wash program 4** (min) washing without granules, with spin (can be excluded by technician)	2.3
Total time/wash program 5** (min) washing without granules, with spin (can be excluded by technician)	3.8
Total time/wash program 6** (min) washing without granules, with spin (can be excluded by technician)	6.8
Capacity, max (1/1 containers/program)****	4
Capacity, max (1/2 containers/program)****	8
Capacity / h, Pr 1 (1/1-containers) incl. handling ****(pc)	45
Capacity / h, Pr 1 (1/2-containers) incl. handling ****(pc)	90
Water consumption rinse/program (litres) *****	3.5-5

CAPACITY AND OPERATION DATA	WD-90GR FLEX
Water consumption cooling/program (litres) *****	0-1.5
Energy consumption (kWh of connected power)	70-90%
Steam consumption *** (kg/h)	15
Sound level* (dB(A)) washing program with granules	69
Max. surface temp. at room temp. 20°C (°C)	30

* A-weighted sound pressure level, LpA

** Factory setting. The wash time is adjustable

*** Steam heated machine

**** Max. capacity depending on the depth of the containers.

***** Applies program using spinning. The water consumption depends on local conditions. An exact adjustment is made during installation.

CONNECTION, ELECTRICALLY HEATED MACHINE	WD-90GR FLEX
Total connected power (kW)	11.3
Main fuse 400V 3N~ (A)*	20
Max.conn.area 400V 3N~ (L1-L3,N,PE) Cu (mm ²)	6

* Other voltages on request

CONNECTION, STEAM HEATED MACHINE 50-250 KPA	WD-90GR FLEX
Total conn.power (kW)	2.4
Main fuse 400V 3N~(A)*	16
Max.conn.area 400V 3N~(L1-L3, N, PE) Cu (mm ²)	6
Steam connection (internal thread)	R½"
Connection condense water (internal thread)	R½"

* Other voltages on request

CONNECTION WATER, DRAIN AND VENTILATION	WD-90GR FLEX
Water quality, hardness (°dH)	2 - 7
Cold water connection 5-12°C (internal thread)	R½"
Hot water connection 50-65°C (internal thread)	R½"
Drain connection, PP pipe (ø mm)	50
Water capacity warm water, pressure (kPa)	250
Water capacity warm water, flow (litres/min)	15
Water capacity cold water cooling, min/max pressure (kPa)	100/160
Floor drain, capacity (litres/sec)	3
Ventilation of the machine (m ³ /h)	600

SIZE AND WEIGHT FOR TRANSPORTATION	WD-90GR FLEX
Size * LxWxH (mm)	1060x900x1950
Weight * (kg)	340

* Packaging included

ACCESSORIES FOR WD-90GR FLEX



Square shaped cassette, part. no. 209.7276
Included in the delivery.



Side holder, part. no. 209.7354
3 pcs included in the delivery.



Lid holder, part. no. 209.7280
3 pcs included in the delivery.



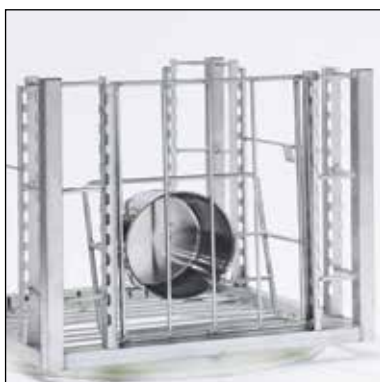
Flexible insert, part. no. 209.7281
Used together with side holder.
Included in the delivery.



Utensil holder, part. no. 209.7277



Wire basket, part. no. 209.7278



Holder, part. no. 209.7279
For small pots and bowls.

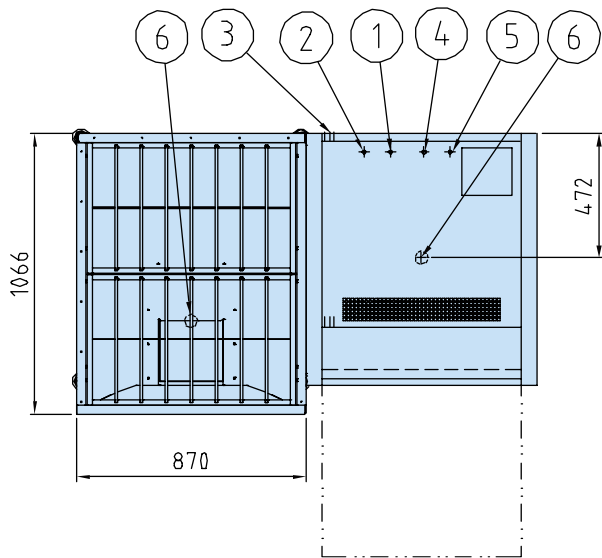
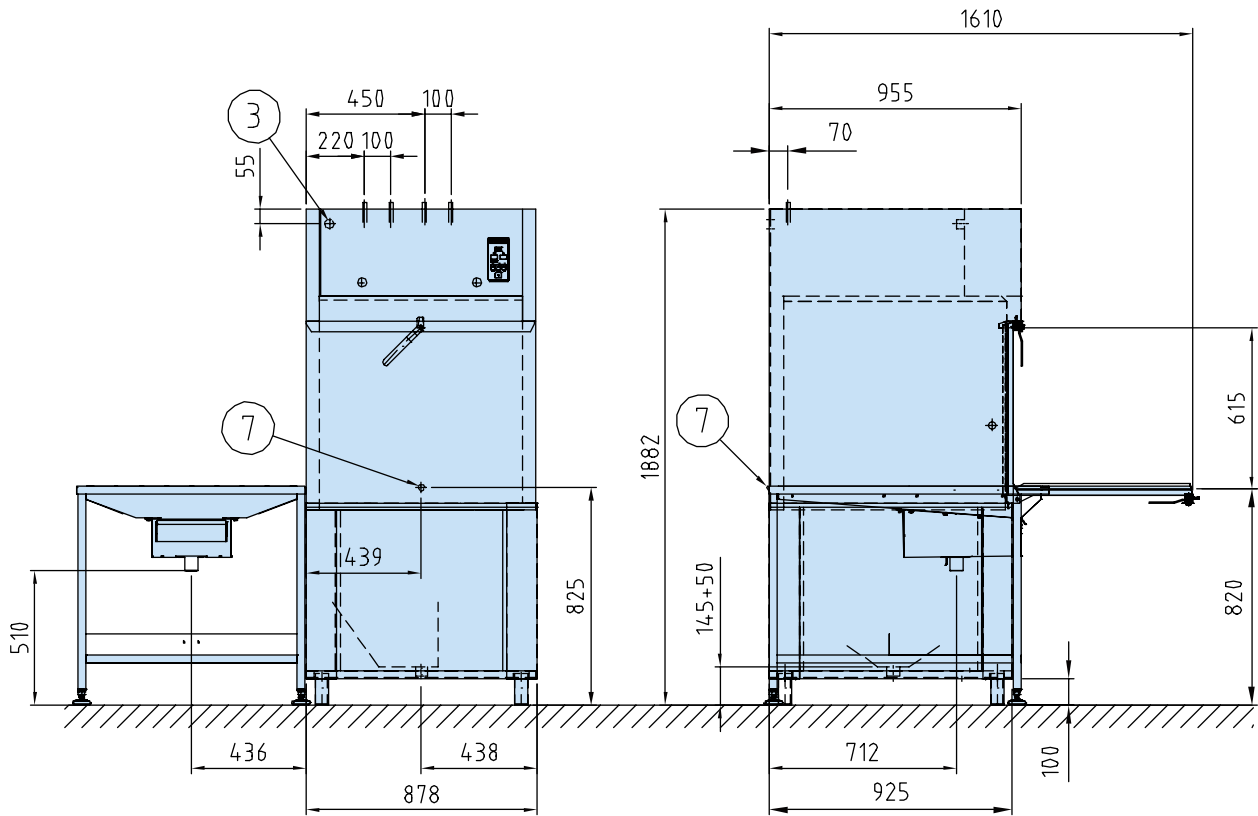


Allround holder, part. no. 209.7273
For pots with handles and ABC-
containers.



Holder for 1/3, 1/6, 1/9 containers,
part. no. 209.7282

The above accessories are a selection of Wexiödisk's range. Additional equipment for other kind of dishes can be requested.



1. Cold water connection
2. Hot water connection
3. Electrical connection
4. Steam connection (steam-heated machine)
5. Condensation water connection (steam-heated machine)
6. Drain connection
7. Detergent connection

We reserve the right to change technical data.

Wexiödisk

TELEPHONE: +46 470 77 1200 FAX: +46 470 23752 ADDRESS: Mårdvägen 4 SE-352 45 Växjö SWEDEN
 E-MAIL: wexiodisk@wexiodisk.com WEBB: www.wexiodisk.com