



# WD-6 GLASS

## HOOD TYPE DISHWASHER

### FEATURES

- The unique *Glasstilt* prevents water from accumulating on the base of the glass. Manual polishing of glass is minimized
- Robust and reliable design in stainless steel with components that guarantee a durable and reliable operation for many years
- The machine has an energy saving heat and sound insulating double-skinned hood.
- A good working environment with the unique hood concept
- High levels of hygiene with an automatic cleaning programme and guaranteed rinse temperature by thermal stop system
- Self-drained wash pump
- Break tank with booster pump
- Large deep tank to protect against foaming
- Easy servicing - the machine is serviced from the front
- Hygiene control – control system with integrated HACCP
- Excellent wash results – with selfdraining washing arms
- Powerful washing pressure with anti-blocking nozzles
- Individual adjustable wash- and rinse times as well as temperatures for each programme
- Inbuilt dosing pump for fine dosage of rinse aid
- Automatic cleaning program
- Water connection x 2 (RO)



### OPTIONS

- Automatic hood
- Autostart for automatic hood
- 230V/3/50Hz
- Drain pump
- Detergent pump for liquid detergent
- ECO-FLOW condensing unit with heat recovery by the exhausted steam. (cold water connection is required)
- WEB Tool - For external HACCP documentation

### EXTRA EQUIPMENT

- Steam hood with suction connection
- Shelf for chemical storage
- Sideboard (560 x 560 mm)

TECHNICAL DATA	WD-6 GLASS
Wash pump (kW)	0.9
Booster heater (kW)	12
Heater tank (kW)	1.8
Tank volume (litres)	50
Weight, machine in operation (kg)	160
Degree of protection (IP)	45

CAPACITY AND OPERATION DATA	WD-6 GLASS
Total time/wash program 1 (min)	1.2**
Total time/wash program 2 (min)	1.2**
Total time/wash program 3 (min)	2.2**
Capacity, max (baskets/h)	50
Water consumption rinse/program (litres)	2.5-4***
Energy consumption (kWh of connected power)	70-90%
Sound level* (dB(A))	60

\* Measured 1 metre from the machine.

\*\* Factory setting. The wash time is adjustable.

\*\*\* Applies under ideal conditions. The water consumption depends on local conditions. An exact adjustment is made during installation.

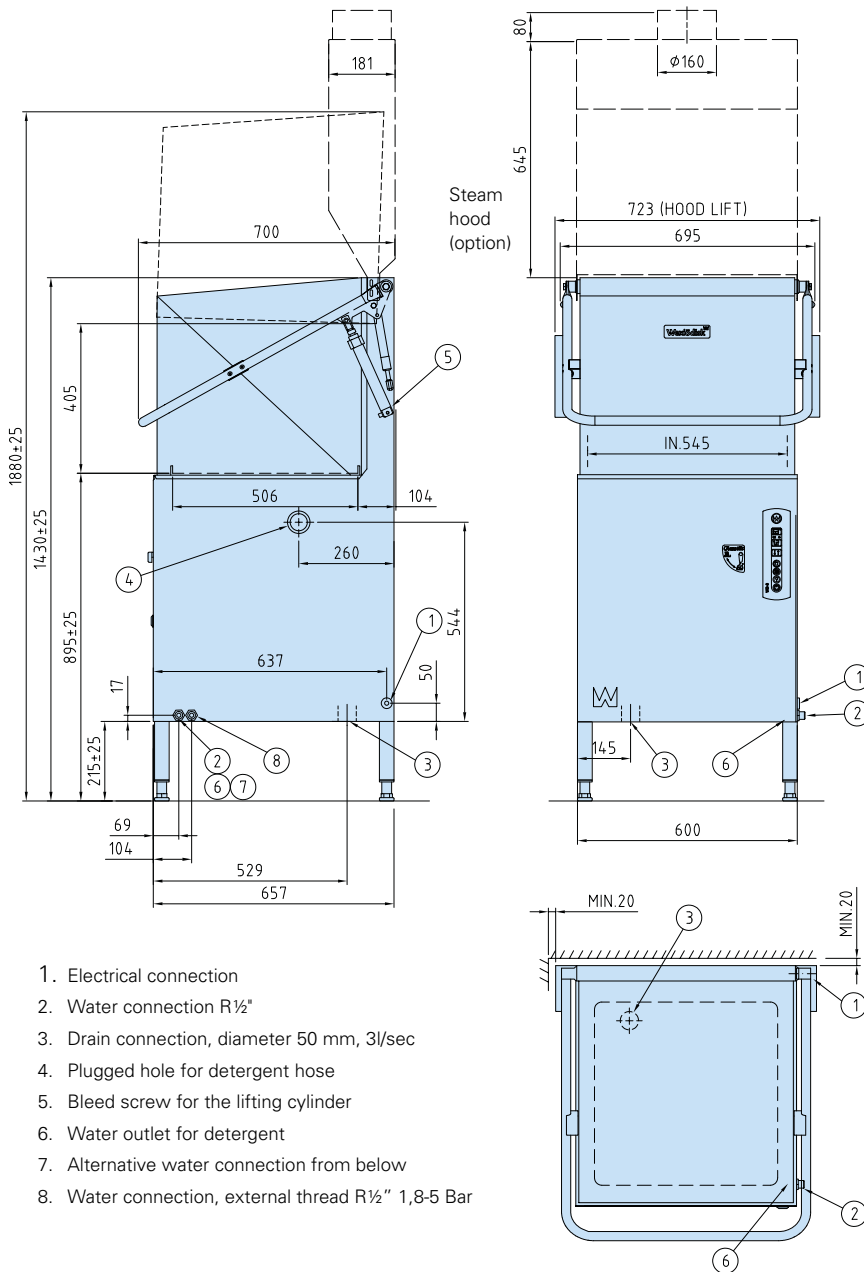
CONNECTION, MACHINE	WD-6 GLASS
Total connected power (kW)	12.9
Main fuse 400V 3N~ (A)	25
Max connection area 400V 3N~(L1-L3, N, PE) Cu (mm2)*	2.5

\* Cabel 2.5m H07RN-F included.

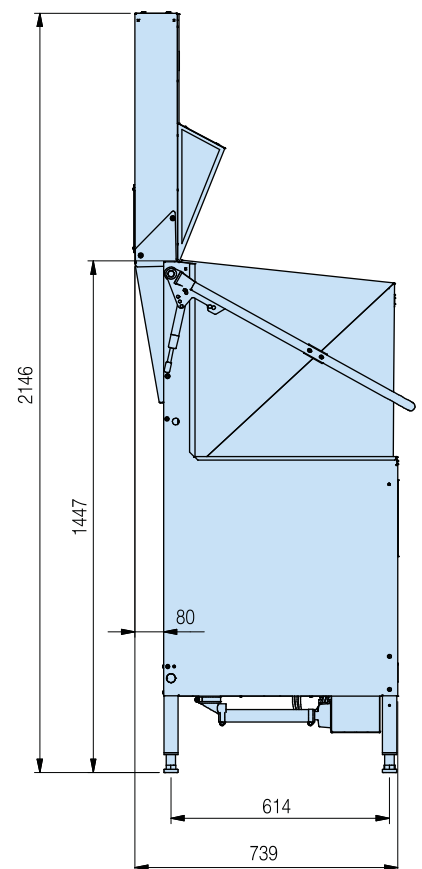
CONNECTION WATER, DRAIN AND VENTILATION	WD-6 GLASS
Water quality, hardness (°dH)	2-7
Water connection 5-65°C (external thread)	R ½"
Drain connection, PP pipe (ø mm)	50
Water capacity, pressure (kPa)	180
Water capacity, flow (litres/min)	18
Water capacity hood lift, pressure (kPa)	180
Floor drain, capacity (litres/sec)	3
Heat load to the room (total, sensible, latent) (kW)	2.3 / 1.7 / 0.6

SIZE AND WEIGHT FOR TRANSPORTATION	WD-6 GLASS
Size LxWxH (mm) *	765x710x1560
Weight (kg) *	115

\* Packaging included.



WD-6 GLASS with **ECO-FLOW** condensing unit and heat exchanger



# Wexiödisk