

WD-6 DUPLUS

HOOD TYPE DISHWASHER

FEATURES

- Double final rinse with DUPLUS technology – Improved rinsing results using less fresh water.
- High efficiency with low operating costs – DUPLUS technology reduces the consumption of fresh water, chemicals and electricity.
- Particularly large cost savings – if osmosis water has to be used.
- Robust and reliable design in stainless steel with components that guarantee a durable and reliable operation for many years.
- The machine has an energy saving heat and sound insulating double-skinned hood.
- A good working environment with the unique hood concept.
- High levels of hygiene with an automatic cleaning programme and guaranteed rinse temperature by thermal stop system.
- Self-drained wash pump.
- Large deep tank to protect against foaming.
- Easy servicing - the machine is serviced from the front.
- Hygiene control – control system with integrated HACCP.
- Excellent wash results – with selfdraining washing arms.
- Powerful washing pressure with anti-blocking nozzles.
- Individual adjustable wash- and rinse times as well as temperatures for each programme .
- Inbuilt dosing pump for fine dosage of rinse aid.
- Break tank with booster pump.
- Automatic cleaning program.
- Double water connection hot/cold.

OPTIONS

- Automatic hood.
- Autostart for automatic hood.
- 230V/3/50Hz
- Marine version.
- Detergent pump for liquid detergent.
- Panel on left side.
- Drain pump.
- Booster pump connected with WD-PRM6 equipped with automatic hood (In combination with break tank).
- ECO-FLOW condensing unit with heat recovery by the exhausted steam. (cold water connection is required).
- WEB Tool - For external HACCP documentation.



EXTRA EQUIPMENT

- Steam hood with suction connection.
- Shelf for chemical storage.
- Sideboard (560 x 560 mm).

TECHNICAL DATA	WD-6 DUPLUS
Wash pump (kW)	0.9
Pump, recirculated rinse (kW)	0.58
Pump, final rinse (kW)	0.58
Booster heater (kW)	9
Tank heater (kW)	5.4
Tank volume, chemical wash tank (liter)	45
Tank volume, recirculated rinse (liter)	5.5
Weight, machine in operation (kg)	185
Enclosure class (IP)	45

CAPACITY AND OPERATING DATA	WD-6 DUPLUS
Total washing time P1 (min) *	1.2
Total washing time P2 (min) *	1.8
Total washing time P3 (min) *	3.3
Max. capacity, baskets/hour (no.)	50
Water consumption rinsing/programme (liter) **	1.0 - 1.5
Energy consumption (% of connected power)	30 - 50%
Sound level (dB(A))***	63

* Factory setting. The washing time can be adjusted.

** In combination with WD-PRM6 the water consumption can be lowered further.

*** Measured 1 metre from the side of the machine.

CONNECTION, MACHINE	WD-6 DUPLUS
Total connected power (kW)	9.9
Main fuse 400 3N~ (A) *	16
Max. connection area 400-415V 3N~ (L1-L3,N,PE) Cu (mm2) **	2.5

* Other voltage on request.

** Cable 3 m H07RN-F is included.

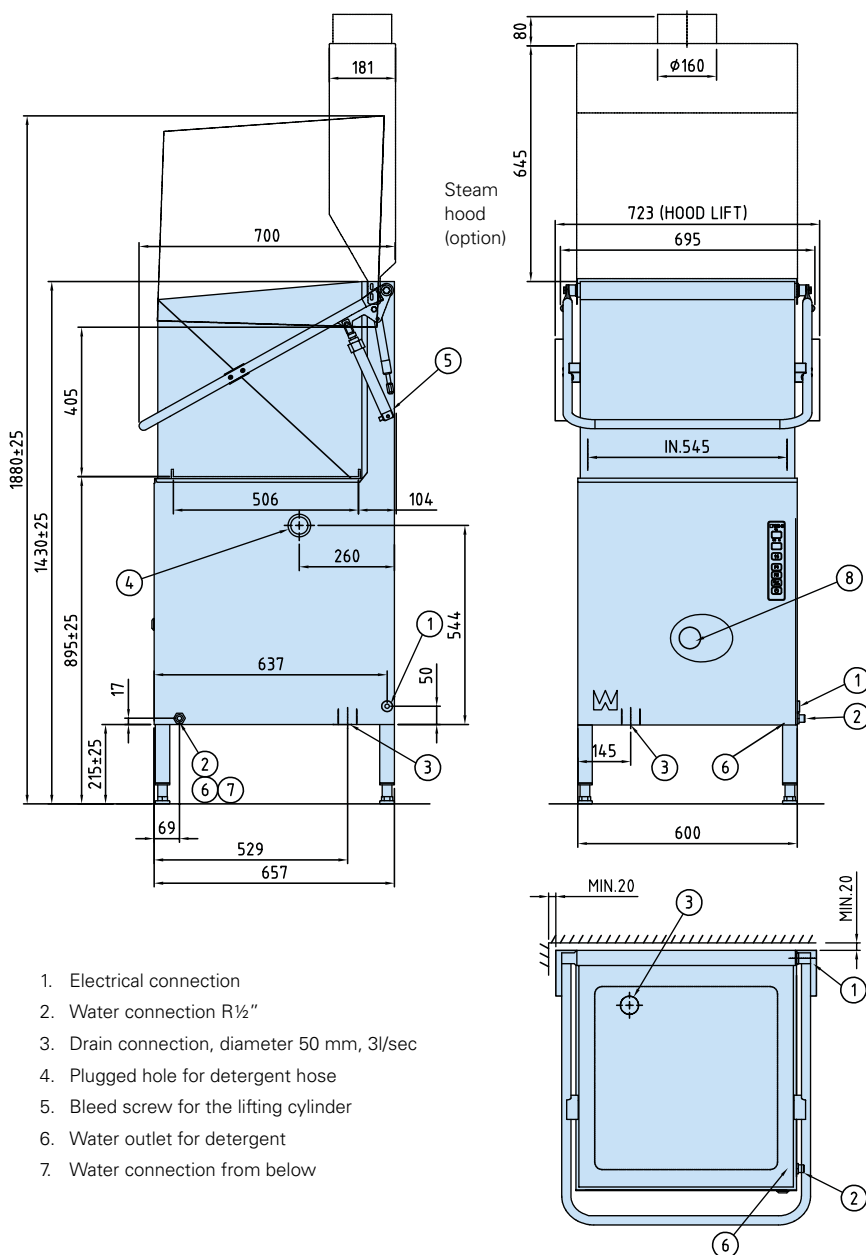
Wexiödisk

WATER, DRAIN AND VENTILATION CONNECTIONS	WD-6 DUPLUS
Water quality, hardness (°dH)	2 - 7
Water connection 5-65°C (external thread)*	R ½"
Drain connection, PP pipe (ø mm.)	50
Water capacity, min/max pressure (kPa)	20
Water capacity, flow (litres/min)	5
Floor drain, capacity (litres/sec)	3
Heat load to the room (total, sensible, latent) (kW)	1.7 / 1.2 / 0.5

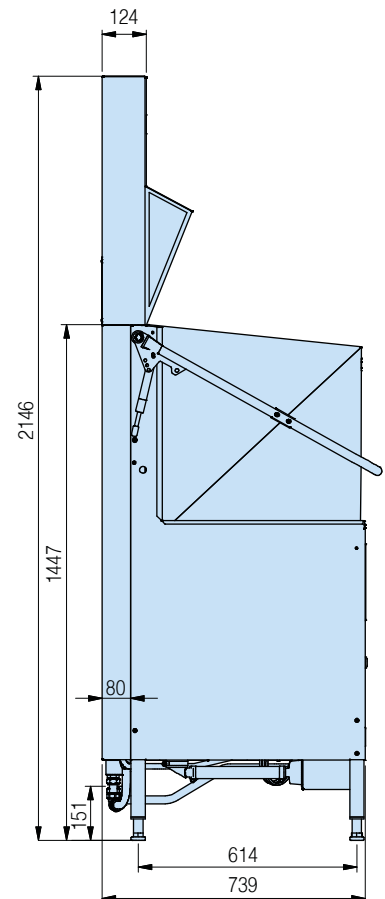
* When using cold water <55°C the filling time is longer.

SIZE AND WEIGHT FOR TRANSPORTATION	WD-6 DUPLUS
Size, LxWxH (mm.)*	765x710x1560
Weight (kg)*	140

* Packaging included



WD-6 Duplus **ECO-FLOW**
with condensing unit



We reserve the right to change technical data.

Wexiödisk