

WD-12S

COMBI-DISHWASHER

FEATURES

- Very flexible combi-dishwasher with a large washing compartment for baskets 500x500 as well as other bulky items.
- The machine has adjustable water pressure for normal and/or potwashing.
- Powerful and effective – extraordinary washing results with dual pumps and rinsing system.
- Angled ceiling improves the washing result and the steam is evacuated behind the machine and not in the face of the user. No water is dripping on the clean dishes.
- Good hygiene with smooth interior surfaces and rounded corners, foldable basket conveyor and only one strainer to clean.
- Automatic cleaning program and guaranteed final rinse temperature.
- The machine has an energy saving heat and sound insulating double-skinned hood.
- Automatic hood lift as standard.
- Self-drained wash pump.
- Large deep tank to protect against foaming.
- Hygiene control – control system with integrated HACCP.
- Excellent washing results - with selfdraining wash arms and concave washing and rinsing nozzles which prevents clogging.
- Individual adjustable wash- and rinse times as well as temperatures for each programme.
- Dosing pump for fine dosage of rinse aid.
- Break tank with booster pump according to EN1717.



- Easy servicing - the machine is serviced from the front.
- Robust and reliable design in stainless steel with components that guarantee a durable and reliable operation for many years.

OPTIONS

- ECO-FLOW with "fast fill" and auto cleaning function. Condensing unit with heat recovery by the exhausted steam. (cold water connection is required)
- 230V/3/50Hz
- Basket conveyor with integrated grids
- Autostart
- Detergent dosage for liquid detergent
- Drain pump
- 15 kW cold water connection
- Adapted for WD-PRM7
- Lowered lift height 50 or 100 for adaptation to limited ceiling height
- Connection power restriction
- Demiwaterrinse with dual water connections
- Stainless couplings in the final rinse
- Panel on left side
- Marine version
- WEB Tool - For external HACCP documentation
- Stainless steel basket 1090x500 mm

TECHNICAL DATA	WD-12S
Washing pump (kW)	2x1.5
Booster heater (kW)	12
Booster heater (machine with cold water connection) (kW)*	15
Booster heater (condensing unit) kW*	15 (12 selectable)
Tank heater (kW)	9
Booster pump (kW)	0.58
Drain pump (kW)*	0.17
Tank volume (liter)	100
Weight, machine in operation (kg)	385
Enclosure class (IP)	44

* Option

CAPACITY AND OPERATING DATA	WD-12S
Total washing time P1 (min) *	1.2
Total washing time P2 (min) *	1.7
Total washing time P3 (min) *	5.2
Max. capacity, baskets/hour (no.)	100
Water consumption rinsing/programme (liter) **	5.5 - 8
Noise level (dB(A))*** Normal/Heavily	64/63

* Factory setting. The washing time can be adjusted.

** The water consumption depends on local conditions. Fine adjustments can be made during installation.

*** Measured 1 metre from the side of the machine.

CONNECTION, MACHINE	WD-12S
Total connected power (kW)	15/18***
Main fuse 400-415V 3N~ (A) *	32/32***
Max. connection area 400-415V 3N~ (L1-L3,N,PE) Cu (mm2) **	25

* Other voltage on request.

** Cable 3 m H07RN-F5G6mm² is included.

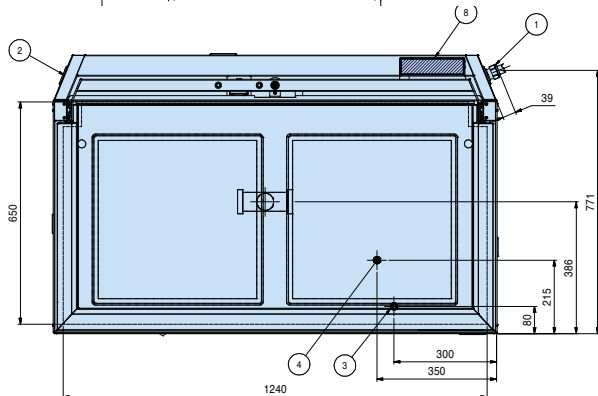
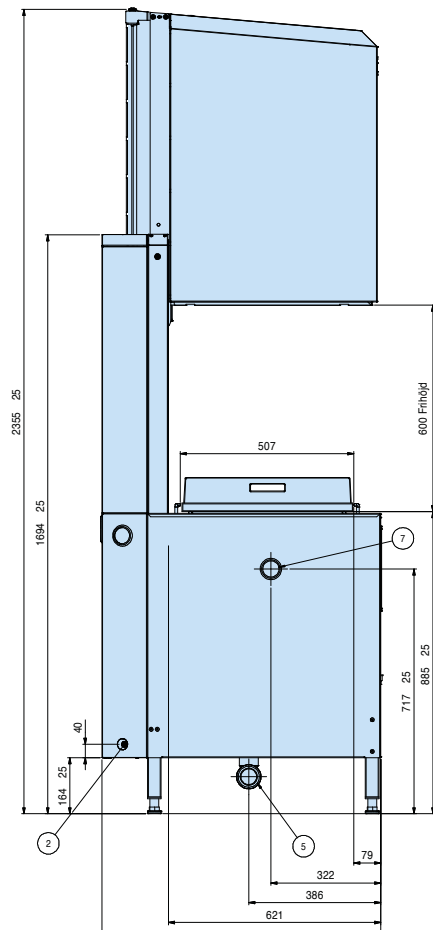
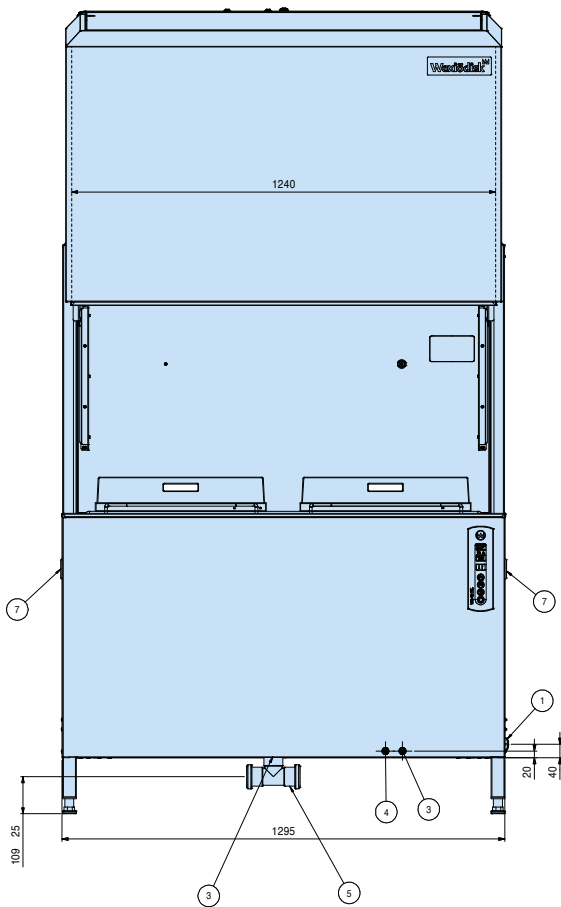
*** Option.

WATER, DRAIN AND VENTILATION CONNECTIONS	WD-12S
Water quality, hardness (°dH)	2 - 7
Water connection 5-65°C (external thread) *	R ½"
Drain connection, PP pipe (ø mm.)	50
Water capacity, pressure (kPa)	20
Water capacity, flow (litres/min)	10
Floor drain, capacity (litres/sec)	3
Heat load to the room (total, sensible, latent) (kW)	4.9/3.6/1.3

* If colder water than 50°C a 15 kW booster heater is recommended.

SIZE AND WEIGHT FOR TRANSPORTATION	WD-12S
Size, LxWxH (mm.)*	1340x860x1730
Weight (kg)*	280

* Packaging included



Electrical connection

1. Electrical connection: Cable H07RN-F 5G6mm² 3m
2. Alternative connection

Water connection

3. Standard: Warm water 50-65° Ext. thread R1/2" 10l/min 0.2 Bar
3. Option Eco Flow: Cold water 5-12° Ext. thread R1/2" 10l/min 0.2 Bar
4. Option Eco Flow: Warm water 50-65° Ext. thread R1/2" 10l/min 0.2 Bar

Miscellaneous

5. Drain: Ø50 3l/s capacity
6. Option Drain pump: Flexible hose 2m Ø22
7. Detergent cap
8. Exhaust Eco Flow

We reserve the right to change technical data.

Wexiödisk