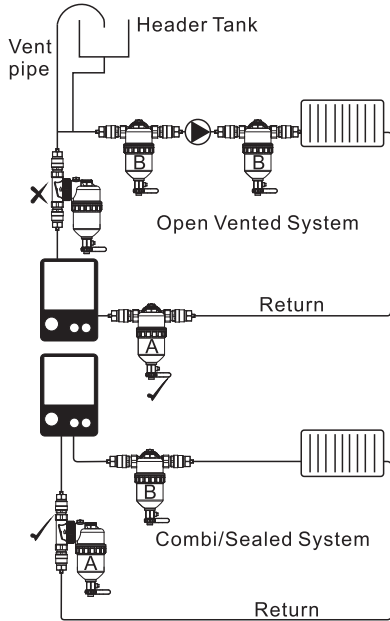


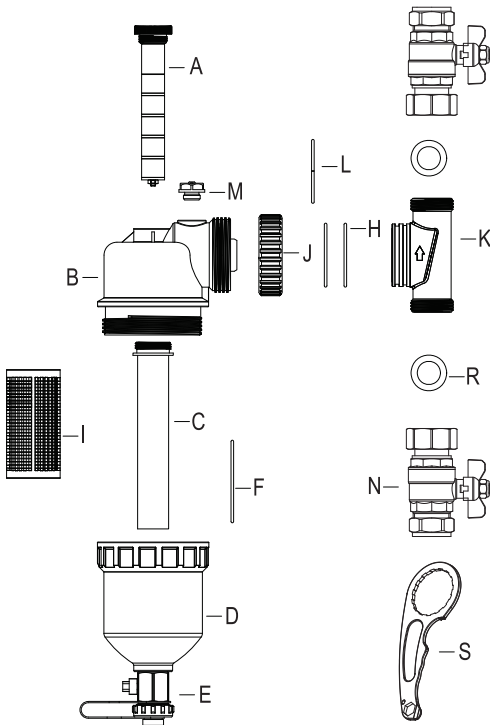
## LOCATION



In both diagrams, position A is best practice whilst B is suitable

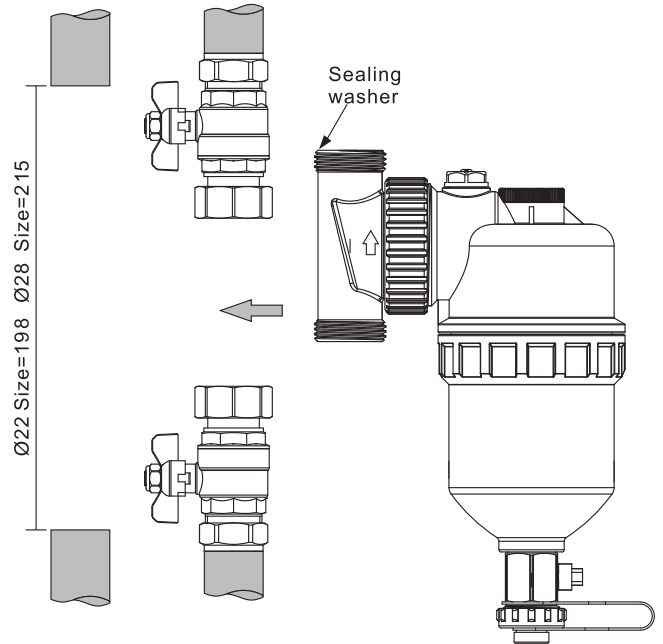
1. The Magnetic Filter is suitable for all types of central heating system.
2. For best performance, the filter should be fitted on the return leg between the last radiator and the boiler.
3. The filter should be installed in a location that allows servicing, maintenance and chemical dosing to easily take place.

## COMPONENTS



A	MAGNETIC BAR	B	FILTER BODY	C	CLEANING COVER
D	FILTER BODY	E	DRAIN-OFF VALVE	F	O - RING
J	COLOUR CAP	H	O - RING	I	PLASTIC FILTER
K	ROTATING JOINT	L	SNAP RING	M	AIR-VENT
N	ISOLATION VALVE	R	SHIM	S	SPANNER

## INSTALLATION



1. Drain the system and relieve any system pressure.
2. Remove the prescribed section of pipework dependent on connection size.
3. Fit the isolation ball valve but do not fully tighten.
4. Slip the filter connector block, along with the rubber washers provided, between the isolation valves and hand tighten.
5. When you are happy with the orientation of the isolation valves, fully tighten them to both the pipework and connector block.
6. Hand tighten the filter body to the connector block in the correct orientation for installation.
7. If further tightening to plastic components is required, gentle pressure may be applied with a suitable tool.

**WARNING- EXCESSIVE TIGHTENING TO, AND BETWEEN, PLASTIC COMPONENTS MAY IRREPARABLY DAMAGE THE PLUMBRIGHT MAGNETIC FILTER.**

### COMMISSIONING

1. With the system drained down, open the lower isolation valve of the Magnetic Filter, but leave the upper closed.
2. Ensuring all open ends of the system are closed, begin to refill the system.
3. Bleed radiators as required.
4. Return to the Magnetic Filter and open the air bleed until water flows from it.
5. Open the upper isolation valve and fill the remaining system volume.
6. Open the air bleed again to ensure all captive air has been removed from the filter.

**N.B. Air may continue to be present in system pipework for a small period of time after the installation of the Magnetic Filter. We recommend periodic air bleeding from the filter as required.**

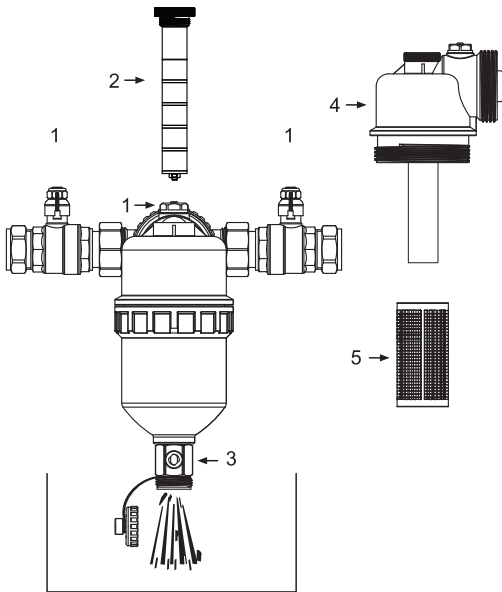
### WARNING



The Magnetic Filter contains a strong magnet which generates a strong magnetic field, especially when removed for cleaning. Magnets can cause serious health problems for someone fitted with a heart pacemaker or similar electronic device. Magnets can also cause damage to other electronic devices and magnetic storage media.

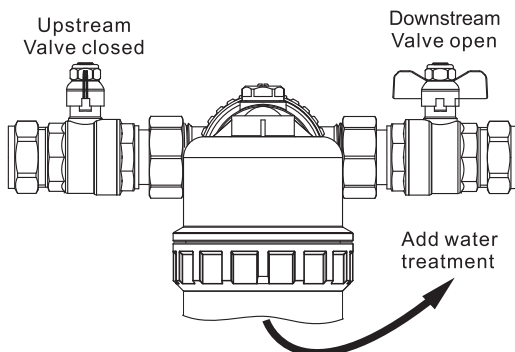
## CLEANING AND SERVICING

1. Close the isolation valves and open the air bleed to relieve system pressure.
2. Unscrew the magnet from filter lid and withdraw it.
3. Open the drain valve at the bottom of the filter and drain into an appropriate container.
4. Completely remove the screw cap from the filter body and clean any remaining debris from it with clean water.
5. Remove the plastic filter and remove any captive debris.
6. Re-assemble and re-commission.



## ADDING WATER TREATMENT

1. Drain an appropriate volume of water from the system to allow for the dosing volume.
2. Isolate the Magnetic Filter from the system and relieve any system pressure.
3. Drain the contents of the filter through the drain valve.
4. Remove the screw cap and add dosing chemicals as required.
5. Replace the screw cap when dosing is complete and re-commission the filter.



## MAGNETIC FILTER QUESTIONS & ANSWERS

### Q. *Where can the Magnetic Filter be fitted?*

A. The Magnetic Filter can be fitted anywhere on the heating circuit, however, we would recommend to maximize filter performance to site it between the last radiator and the boiler.

### Q. *Can the Magnetic Filter be retro fitted?*

A. Yes - the Magnetic Filter's simple design and quick installation make it ideal for tackling contaminant problems in existing systems as well as new installations.

### Q. *Which direction does the arrow on the connector block need to point in?*

A. The arrow should always point in the direction of the flow of water wherever the filter is fitted on the system.

### Q. *What direction should the main body of the filter be fitted in?*

A. Although the isolation valves and connector block of the Magnetic Filter can be fitted in any orientation, the main body of the filter must be installed vertically with the drain off at the base of the filter and the screw cap at the top.

### Q. *How do I know when the filter needs cleaning?*

A. The Magnetic Filter features a diverter within the connector block so, even if your filter becomes full of debris and magnetite, the flow of water will never be inhibited meaning that, even if you forget to service the unit, it will never inhibit system performance.

### Q. *How often should I service the Magnetic Filter?*

A. It's recommended that the Magnetic Filter is serviced in line with the annual service schedule of the boiler; ideally once every twelve months.

### Q. *Can I add dosing chemicals through the filter?*

A. Yes - dosing chemicals can be added to the system by draining the filter, removing the screw cap and pouring liquid based dosing agents directly into the filter body.

### Q. *Will the magnet within the Magnetic Filter cause any adverse health effects?*

A. Caution should be taken if you have a pacemaker fitted, but normal operation of the unit should pose no health risk. If you have any doubts at all then we recommend you consult a medical professional.

## IMPORTANT INFORMATION

1. Installation should be carried out by a qualified professional.
2. Please check that all components are present. If there are any missing or damaged parts, please contact your supplier immediately.