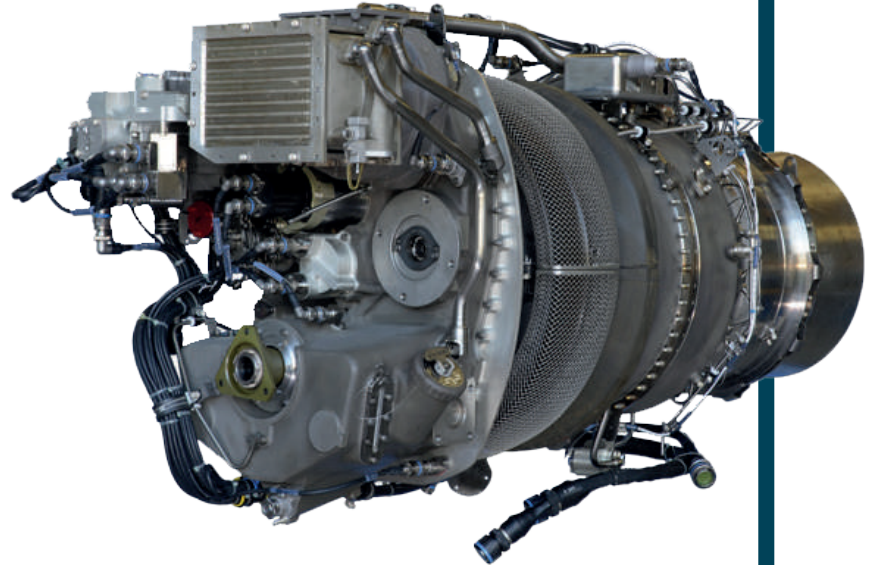




ARDIDEN 1U



"The simple & modern architecture"

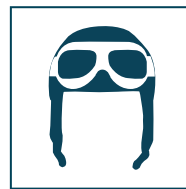


Power: 1,430 Shp



OUTSTANDING CAPABILITIES

- More power reserve for extended capability in hot and high conditions
- High power growth
- Evolutive TBO



MISSION-FOCUSED PILOTS

- Dual channel FADEC
- Automatic power check
- APU mode
- Designed for hovering missions



COMPETITIVENESS

- Low operating costs: simple maintenance
- Proven reliability
- Low fuel consumption
- ITAR free engine



PROXIMITY

- Local support teams / 1,500 people worldwide
- Support expertise
- JV MRO HAL SHE

ARDIDEN 1U

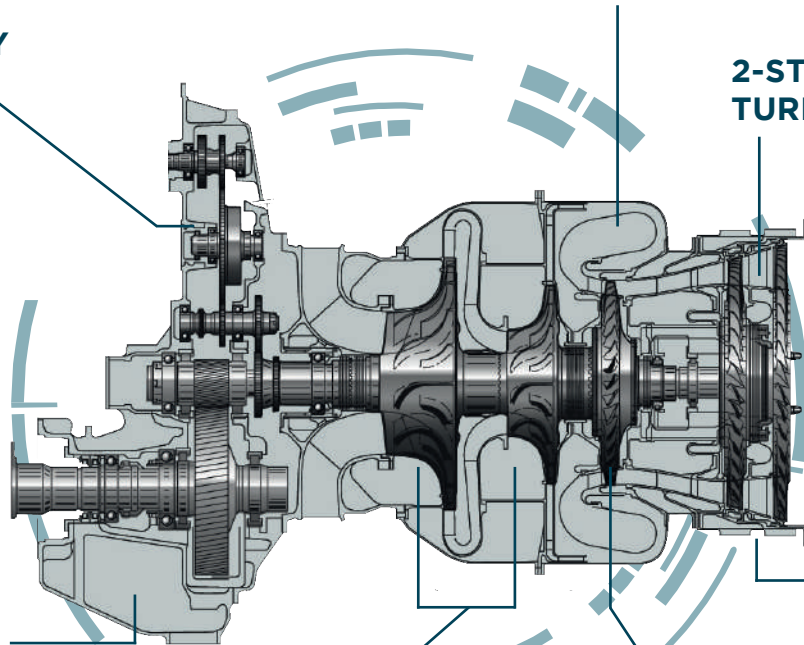
PIONEER IN HELICOPTER
FADEC SYSTEMS
35-YEAR EXPERIENCE

MEDIUM
POWER
RANGE

**RESERVE FLOW
COMBUSTION CHAMBER**

**ACCESSORY
GEARBOX**

**2-STAGE POWER
TURBINE**



**INTEGRAL
OIL SYSTEM**

**POWER
TURBINE
SHIELDING**

**TWIN-STAGE
CENTRIFUGAL
COMPRESSOR**

**1-STAGE GAS
GENERATOR TURBINE**

■ With single crystal blades

RATINGS

TAKE OFF	1,437 Shp 1,058 kW
MAX CONTINUOUS	1,239 Shp 912 kW

ARDIDEN 1U HIGHLIGHTS (MID 2018)

ARDIDEN 1 FAMILY
FOR HIGH
COMMUNALITY

CERTIFICATION
2019

Safran is an international high-technology group, operating in the aircraft propulsion and equipment, space and defense markets. Safran has a global presence, with more than 58,000 employees and sales of 16.5 billion euros in 2017. Safran Helicopter Engines is the world's leading manufacturer of helicopter engines, with more than 72,000 produced since being founded. It offers the widest range of helicopter turboshafts in the world and has more than 2,500 customers in 155 countries.

SAFRAN HELICOPTER ENGINES
PRODUCT
MARKET TEAM

SINCE 1938

100
MILLION
FLIGHT HOURS

ONE

SAFRAN HELICOPTER ENGINES
**TAKES-OFF EVERY
9 SECONDS**



YOUR LOCAL CONTACT

24/7 SUPPORT

SAFRAN

safran-helicopter-engines.com



09/2018