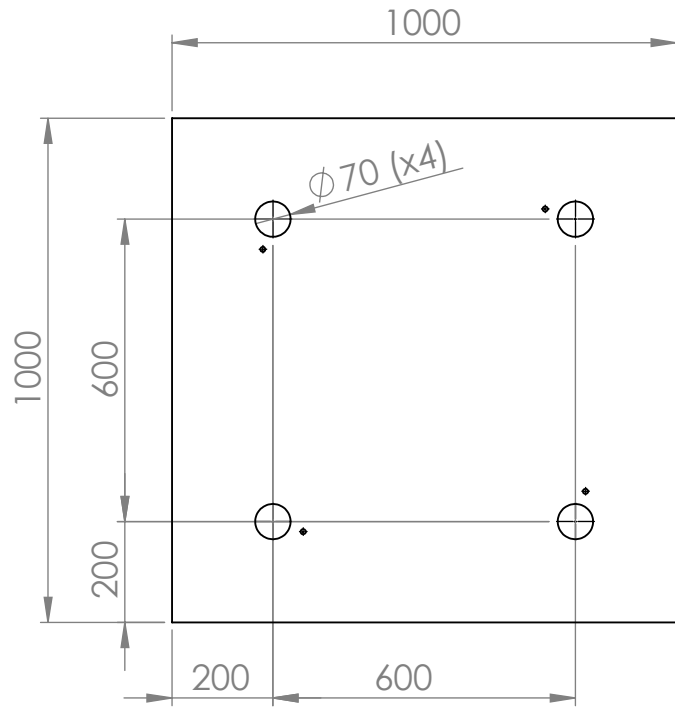


Lamp holes



Suspension mark

