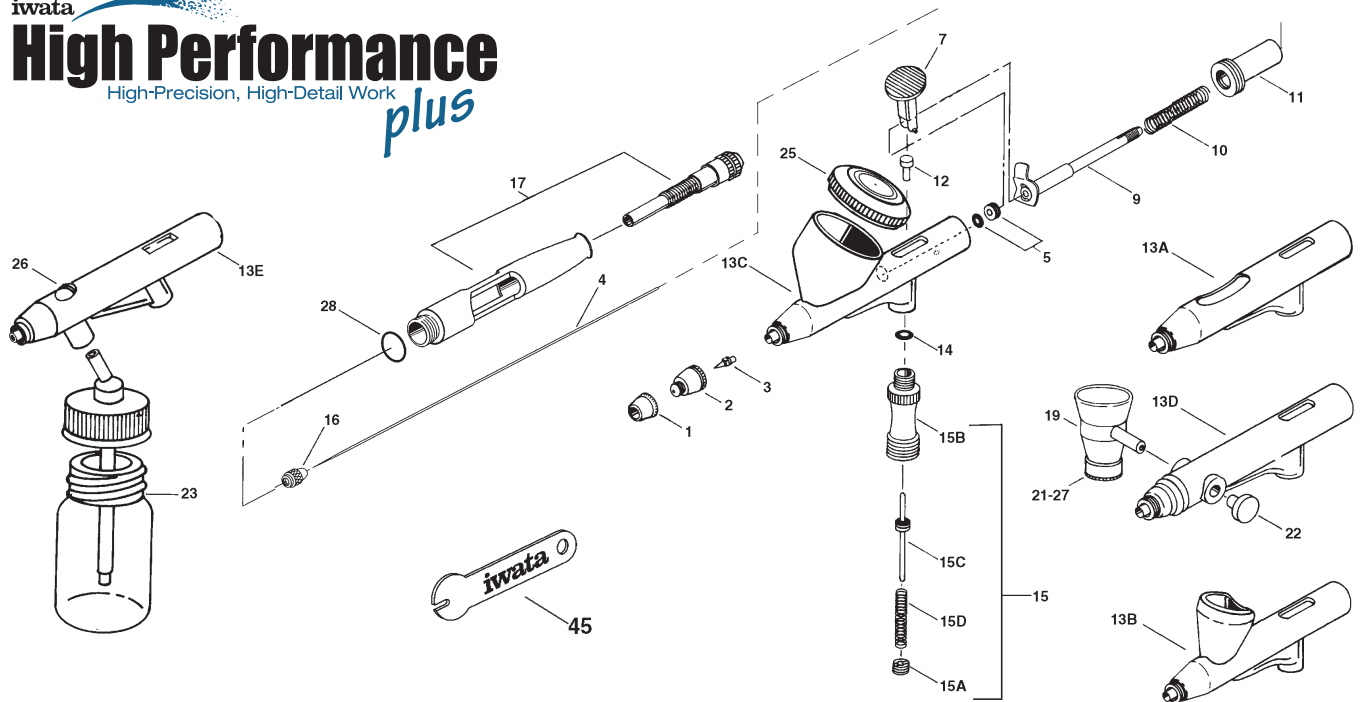


iwata
High Performance
 High-Precision, High-Detail Work
 plus



HI Performance Plus HP-AP /HP-BP / HP-BCP / HP-SBP

| CODE | DESCRIPTION | MODEL | REF. | SMP* |
|---------|---|---------------------|----------------------|------|
| I 110 1 | Needle Cap | HP-AP/BP/SBP | 1 | |
| I 110 2 | Needle Cap | HP-CP/BCP | 1 | |
| I 140 1 | Nozzle Cap 0.2 mm | HP-AP/BP/SBP | 2 | |
| I 140 3 | Nozzle Cap 0.30 mm | HP-CP/BCP | 2 | |
| I 080 7 | Fluid Nozzle Set 0.2 mm | HP-AP/BP/SBP | 3 | |
| I 080 8 | Nozzle Set 0.30 mm | HP-CP/BCP | 3 | |
| I 075 1 | Fluid Needle 0.2 mm | HP-AP/BP/SBP | 4 | |
| I 075 3 | Fluid Needle 0.30 mm | HP-CP/BCP | 4 | |
| I 125 7 | Needle Packing Set (PTFE) | HP-CP/BCP | 5 | |
| I 725 1 | Needle Packing Set (PTFE) | HP-AP/BP/SBP | 5 | |
| I 100 1 | Main Lever | HP-AP/BP/SBP | 7 | |
| I 100 2 | Main Lever | HP-CP | 7 | |
| I 100 3 | Main Lever Piston | HP-BCP | 7 | |
| I 115 7 | Needle Chucking Guide W/ Auxiliary Lever | HP-AP/BP/SBP | 9 | |
| I 715 1 | Needle Chucking Guide W/ Auxiliary Lever | HP-CP/BCP | 9 | |
| I 135 2 | Needle Spring | HP-AP/BP/SBP | 10 | |
| I 135 3 | Needle Spring | HP-CP/BCP | 10 | |
| I 170 6 | Spring Guide | HP-AP/BP/SBP | 11 | |
| I 770 1 | Spring Guide | HP-CP/BCP | 11 | |
| I 175 1 | Piston | HP-AP/BP/CP/SBP | 12 | |
| - | Gun Body | All Models | 13 A-B-C D - E | |
| I 145 1 | Air Valve Packing | HP-AP/BP/CP/SBP/BCP | 14 | |
| I 030 1 | Air Valve Set | HP-AP/BP/SBP | 15 | |
| I 030 4 | Air Valve Set | HP-CP/BCP | 15 | |
| I 025 1 | Air Valve Guide | HP-AP/BP/CP/SBP/BCP | 15A | |
| I 020 1 | Air Valve Body | HP-AP/BP/CP/SBP/BCP | 15B | |

| CODE | DESCRIPTION | MODEL | REF. | SMP* |
|----------|---|---------------------|------|------|
| I 015 1 | Air Valve | HP-AP/BP/CP/SBP/BCP | 15C | |
| I 015 4 | Air Valve | HP CP/HP BCP | 15C | |
| I 035 1 | Air Valve Spring | HP-AP/BP/CP/SBP/BCP | 15D | |
| I 120 1 | Needle Chucking Nut | HP-AP/BP/CP/SBP/BCP | 16 | |
| I 155 5 | Preset Cap Handle Set | HP-AP/BP/SBP | 17 | |
| I 155 6 | Preset Cap Handle Set | HP-CP/BCP | 17 | |
| I 070 3 | Side Cup 1/8 Oz. | HP-SBP | 19 | |
| I 070 4 | Side Cup W/Lid 1/4 Oz. | HP-SBP | 19 | |
| I 070 6 | Gravity Cup 1/2 Oz. | HP-SBP | 19 | |
| I 095 6 | Lower Lid | HP-SBP | 21 | |
| I 045 2 | Blanking Cover | HP-SBP | 22 | |
| I 405 2 | Glass Bottle Set W/Lid 3/4 Oz. | HP-BCP | 23 | |
| I 618 1 | Lid Cup | HP-CP | 25 | |
| I 095 7 | Lid | HP-SBP | 25 | |
| I 045 1 | Blanking Screw | HP-BCP | 26 | |
| I 605 1 | O Ring (2 Pcs.) | HP-AP/BP/CP/SBP/BCP | 28 | |
| I 165 1 | Spanner | HP-AP/BP/CP/SBP/BCP | 45 | |
| I 195 1 | Conversion Kit (Nozzle 0.3Mm To 0.4 mm) | HP-CP/BCP | | |
| I 105 0 | Crown Cap | HP-AP/BP/CP/SBP/BCP | | |
| I 160 3 | Quick Fit Set (Qd & Adaptor) | HP-AP/BP/CP/SBP/BCP | | |
| I 160 4 | Quick Fit Adaptor | HP-AP/BP/CP/SBP/BCP | | |
| J 001 | Adaptor (Iwata Airbrushes To Paasche Air Hose) | HP-AP/BP/CP/SBP/BCP | | |
| J 002 | Adaptor (Iwata Airbrushes To T&C/Badger Air Hoses) | HP-AP/BP/CP/SBP/BCP | | |
| I 450 1S | Side-Feed Bottle 1 oz. - Clear | HP-SBP | | |
| I 450 2S | Side-Feed Bottle 2 oz. - Clear | HP-SBP | | |
| I 470 1S | Side-Feed Bottle 1 oz. - Hs | HP-SBP | | |
| I 470 2S | Side-Feed Bottle 2 oz. - Hs | HP-SBP | | |

