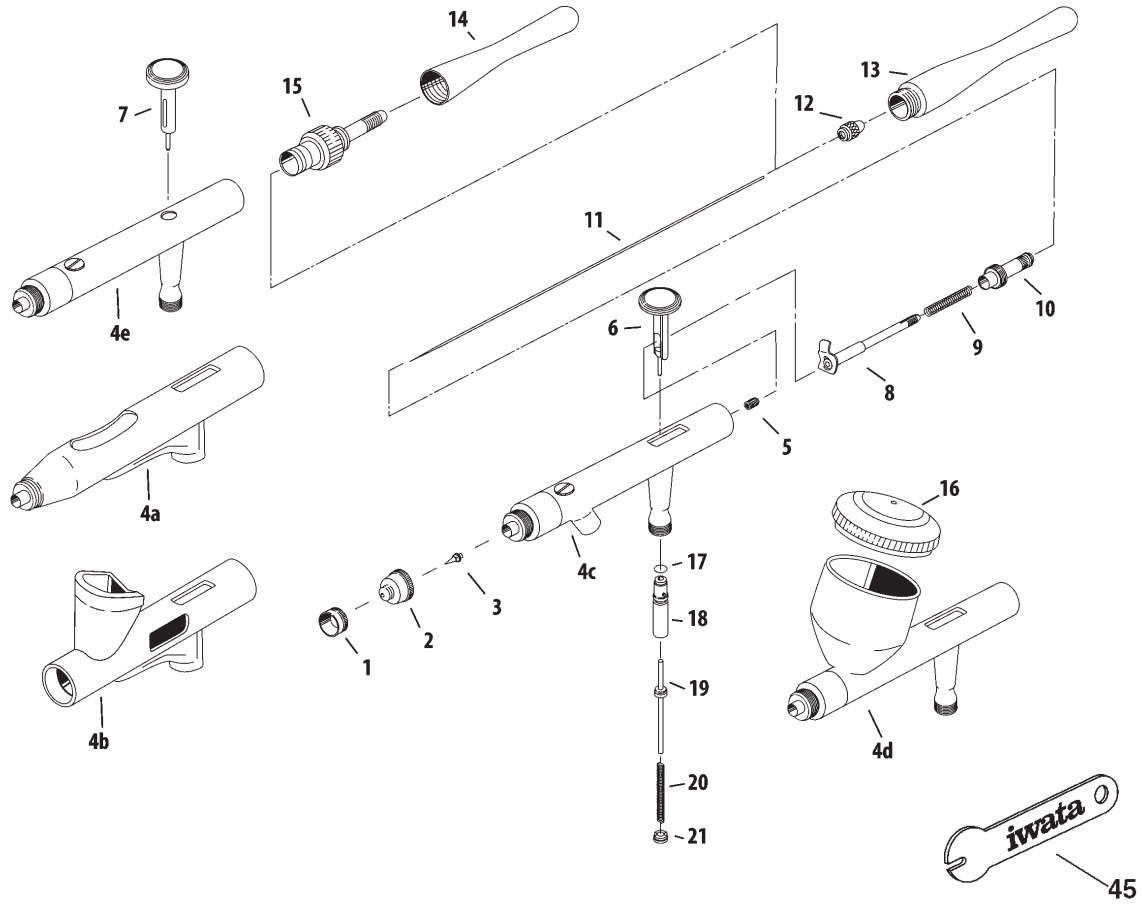


iwata Revolution

Quality, Performance and Value



Revolution HP-AR / HP-BR / HP-CR / HP-SAR / HP-BCR

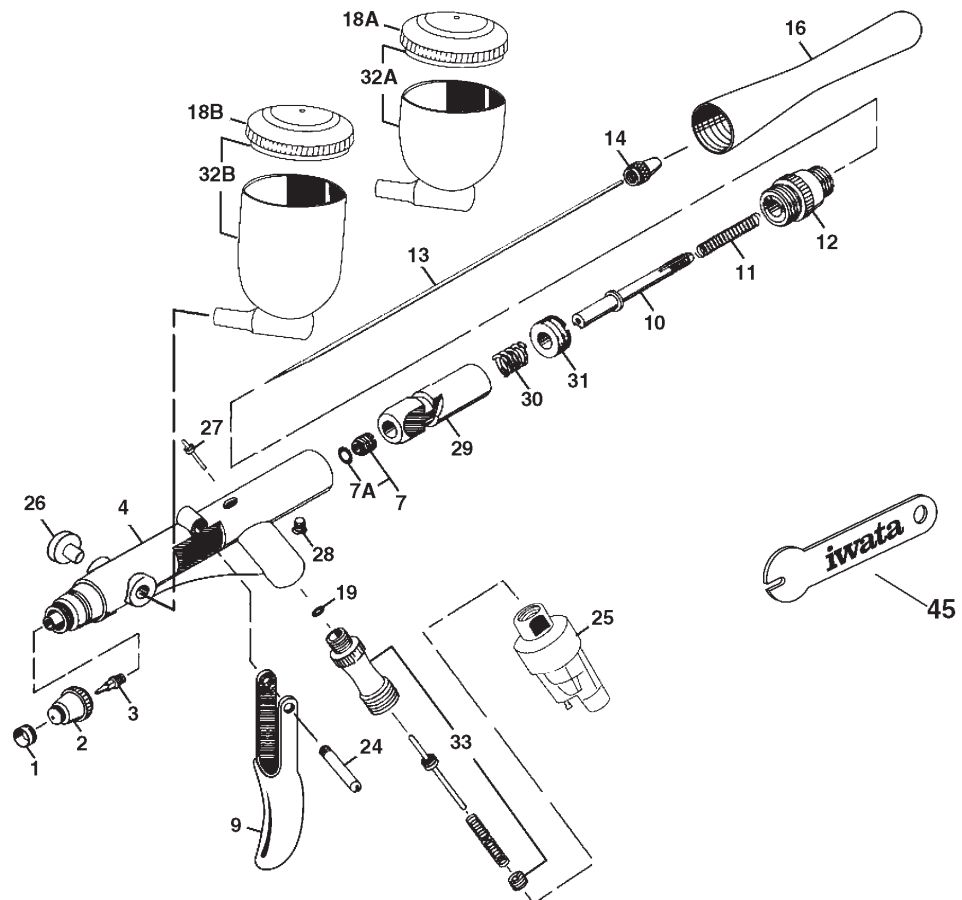
CODE	DESCRIPTION	MODEL	REF.	SMP*
I 701 1	Needle Cap 0.5 mm	HP-CR/BCR/SAR	1	
I 701 2	Needle Cap 0.3 mm	HP-AR/BR	1	
I 702 1	Nozzle Cap 0.5 mm	HP-CR/BCR/SAR	2	
I 702 2	Nozzle Cap 0.30 mm	HP-AR/BR	2	
I 704 1	Nozzle Set 0.5mm	HP-CR/BCR/SAR	3	
I 704 2	Nozzle Set 0.30 mm	HP-AR/BR	3	
-	Gun Body	All Models	4 A-B-C D-E	
I 125 7	Needle Packing Set (Ptfе)	HP-CR/BCR/SAR	5	
I 725 1	Needle Packing Set (Ptfе)	HP-AR/BR	5	
I 612 1	Main Lever	HP-AR/BR/CR/BCR	6	
I 612 2	Main Lever	HP-SAR	7	
I 115 7	Needle Chucking Guide W/ Auxiliary Lever	HP-AR/BR/SAR	8	
I 115 1	Needle Chucking Guide W/ Auxiliary Lever	HP-CR/BCR	8	
I 135 1	Needle Spring	HP-AR/BR/CR/BCR	9	
I 770 1	Spring Guide	HP-AR/BR/CR/BCR	10	

CODE	DESCRIPTION	MODEL	REF.	SMP*
I 617 1	Needle 0.5 mm	HP-CR/BCR/SAR	11	
I 717 3	Needle 0.3 mm	HP-AR/BR	11	
I 120 1	Needle Chucking Nut	HP-AR/BR/CR/BCR/SAR	12	
I 719 1	Ergonomic Handle	HP-AR/BR/CR/BCR	13	
I 719 2	Ergonomic Handle	HP-SAR	14	
I 155 2	Preset Handle	HP-AR/BR/CR/BCR	13	
I 155 6	Preset Cut-Away Handle	HP-AR/BR/CR/BCR	13	
I 722 1	Fluid Adj. Knob	HP-SAR	15	
I 718 1	Lid Cup	HP-CR	16	
I 580 1	O Ring	HP-AR/BR/CR/BCR/SAR	17	
I 608 1	Air Valve Guide	HP-AR/BR/CR/BCR/SAR	18	
I 609 1	Air Valve	HP-AR/BR/CR/BCR/SAR	19	
I 035 1	Air Valve Spring	HP-AR/BR/CR/BCR/SAR	20	
I 611 1	Air Valve Guide Screw	HP-AR/BR/CR/BCR/SAR	21	
I 765 1	Spanner	HP-AR/BR/CR/BCR/SAR	45	
I 470 1P	Translucent Plastic Bottle 10z.	HP BCR		



iwata Revolution

Quality, Performance and Value

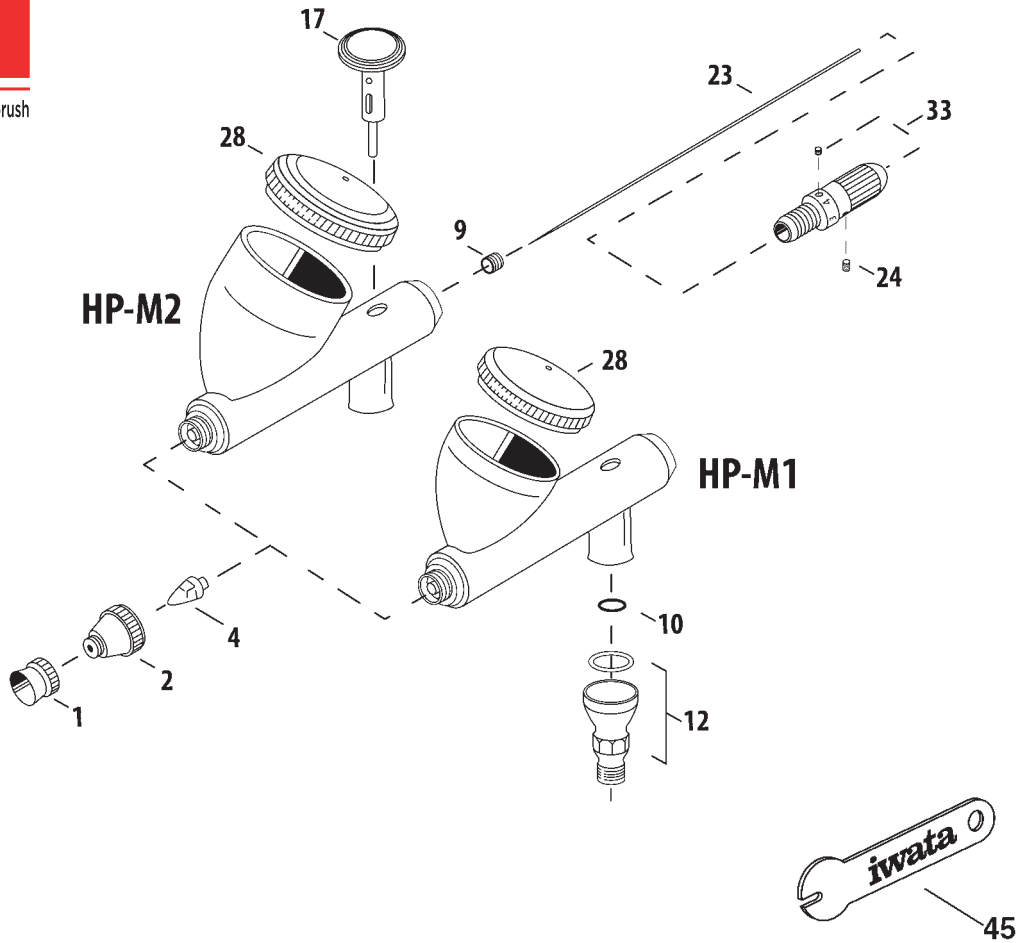


Revolution HP-TR0 / HP-TR1 / HP-TR2

CODE	DESCRIPTION	MODEL	REF.	SMP*
I 701 2	Needle Cap 0.3 mm	HP-TR1	1	
I 701 1	Needle Cap 0.5 mm	HP-TR2	1	
I 702 2	Nozzle Cap 0.30 mm	HP-TR1	2	
I 702 1	Nozzle Cap 0.5 mm	HP-TR2	2	
I 704 2	Nozzle Set 0.30 mm	HP-TR1	3	
I 704 1	Nozzle Set 0.5 mm	HP-TR2	3	
-	Gun Body	All Models	4	
I 725 2	Needle Packing Screw	HP-TR1/HP-TR2	7	
I 150 2	Needle Packing O Ring	HP-TR1/HP-TR2	7A	
I 145 1	Air Valve Packing	HP-TR1/HP-TR2	19	
I 712 1	Air Valve Set	HP-TR1/HP-TR2	33	
I 713 1	Valve Rod	HP-TR1/HP-TR2	27	
I 714 1	Trigger	HP-TR1/HP-TR2	9	
I 715 2	Needle Chucking Guide	HP-TR1/HP-TR2	10	
I 770 3	Spring	HP-TR1/HP-TR2	11	
I 770 2	Spring Guide	HP-TR1/HP-TR2	12	

CODE	DESCRIPTION	MODEL	REF.	SMP*
I 717 4	Needle Set 0.30 mm	HP-TR1	13	
I 717 5	Needle Set 0.5 mm	HP-TR2	13	
I 120 2	Needle Chucking Nut	HP-TR1/HP-TR2	14	
I 719 2	Ergonomic Handle	HP-TR1/HP-TR2	16	
I 718 1	Lid Cup	HP-TR1	18a	
I 718 2	Lid	HP-TR2	18b	
I 720 1	Gravity Side Cup 1/3 Oz.	HP-TR1	32a	
I 070 6	Gravity Side Cup 1/2 Oz.	HP-TR2	32b	
I 045 2	Blanking Cover	HP-TR1/HP-TR2	26	
I 730 1	Slide Cam	HP-TR1/HP-TR2	29	
I 730 2	Slide Cam Spring	HP-TR1/HP-TR2	30	
I 731 1	Main Body Ring	HP-TR1/HP-TR2	31	
I 731 2	Screw	HP-TR1/HP-TR2	28	
I 714 2	Trigger Stud	HP-TR1/HP-TR2	24	
F A450	Pistol Grip Filter	HP-TR1/HP-TR2	25	
I 165 1	Spanner	HP-TR1/HP-TR2	45	





Mini Line HP-M1 / HP-M2

CODE	DESCRIPTION	MODEL	REF.	SMP*
I 701 4	Needle Cap 0.3 mm	HP-M1	1	
I 701 5	Needle Cap 0.4 mm	HP-M2	1	
I 702 4	Nozzle Cap 0.3 mm	HP-M1	2	
I 702 5	Nozzle Cap 0.4 mm	HP-M2	2	
I 704 4	Nozzle Set 0.3 mm	HP-M1	4	
I 704 5	Nozzle Set 0.4 mm	HP-M2	4	
I 725 4	Needle Packing Set (Ptfе)	HP-M1/M2	9	
I 145 1	Piston O Ring	HP-M1/M2	10	
I 712 2	Air Valve Set	HP-M1/M2	12	
I 714 3	Main Lever	HP-M1/M2	17	
I 717 6	Needle Set 0.3 mm	HP-M1	23	
I 717 7	Needle Set 0.4 mm	HP-M2	23	
I 715 3	Needle Chucking Nut	HP-M1/M2	24	
I 718 3	Lid	HP-M1	28	
I 718 4	Lid	HP-M2	28	
I 722 2	Fluid Adj. Valve	HP-M1/M2	33	
I 765 1	Spanner	HP-M1/M2	45	

