

1

2

3

4

5

6

7

8

RevNr.

Revision note

Date

Sign

A

A

B

B

C

C

D

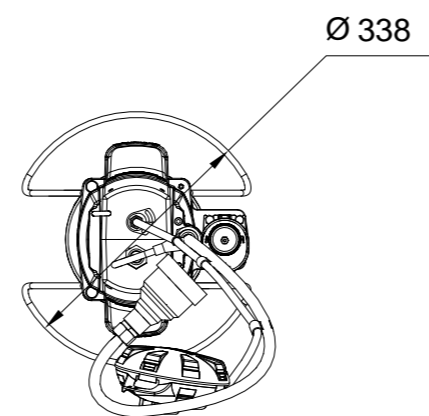
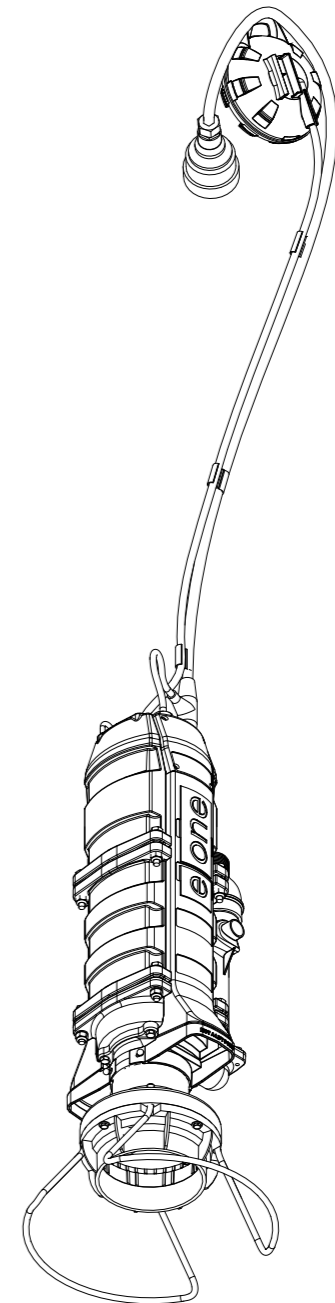
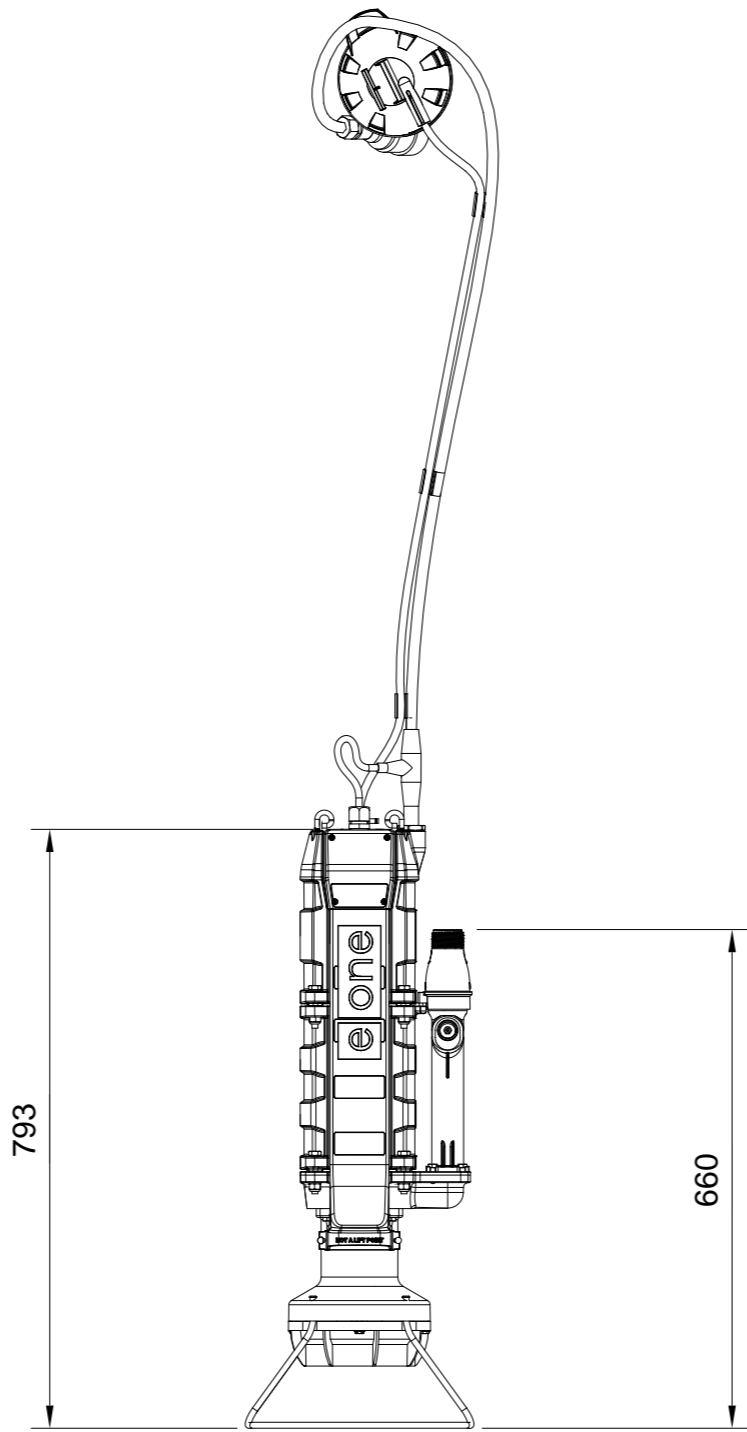
D

E

E

F

F



	<b>A3</b>	General Tolerances acc to : ISO 2768-1 medium	<b>910006 LPSX pump AMGP</b>		
	Scale		Drawn <b>HJn</b>	Checked <b>-</b>	Dat. <b>2009-05-26</b>
<b>Skandinavisk Kommunalteknik AB</b>			Title		Sheet 1 <b>1(1)</b>
					Rev. <b>1</b>
					Doc.Nr <b>-</b>

1

2

3

4

5

6

7

8