



TCS3065DC

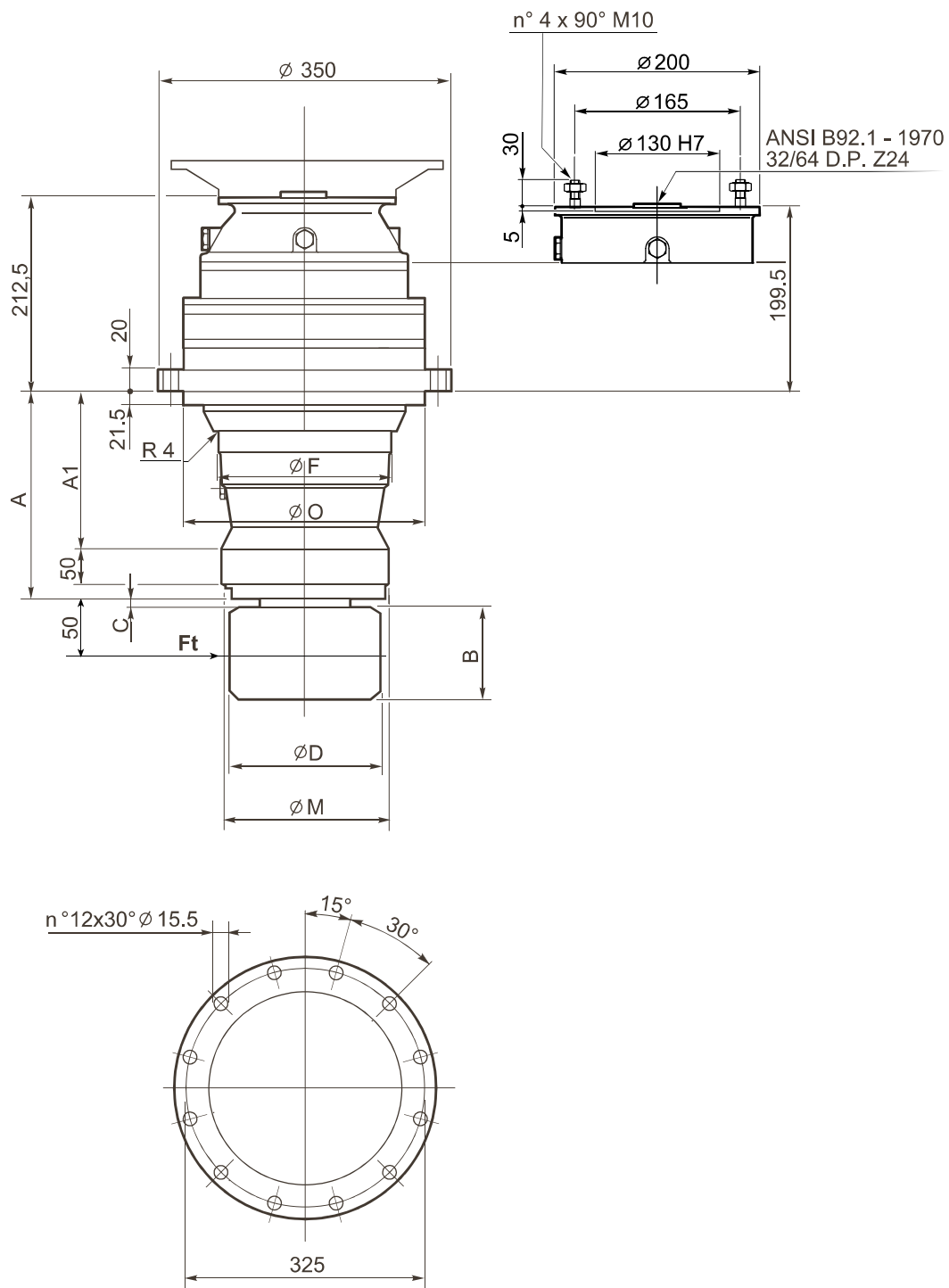
$n_2 = 10 \text{ rpm} - T_{\text{FEM M5(T5 - L2)}}$

$i =$	T_{FEM} [Nm]	$T_{2_{\text{max.}}}$ [Nm]
123,90	9.170	11.500
134,32	8.630	
155,10	9.170	
180,00	8.640	
208,20		

Pinion code	m	z	x	$\emptyset D$	B	C	Support code
335697	8	16	0,1	145,6	71	3	DC
335698	10	11	0,531	139	97	3	DC
335699	10	12	0,294	143,8	92	3	DC
335700	10	13	0,51	158	105	3	DC

Type	n_1 max. [rpm]		
TCS3065	3.000		

TCS3065DC



Support type	Ft _{FEM} [N]	Ft _{max} [N]	A	A1	Ø M	Ø O	Ø F	E	Y
DC	90.000	95.000	289	207	184 ⁰ _{-0.05}	290 ⁰ _{-0.05}	188 ⁰ _{-0.1}	-	-