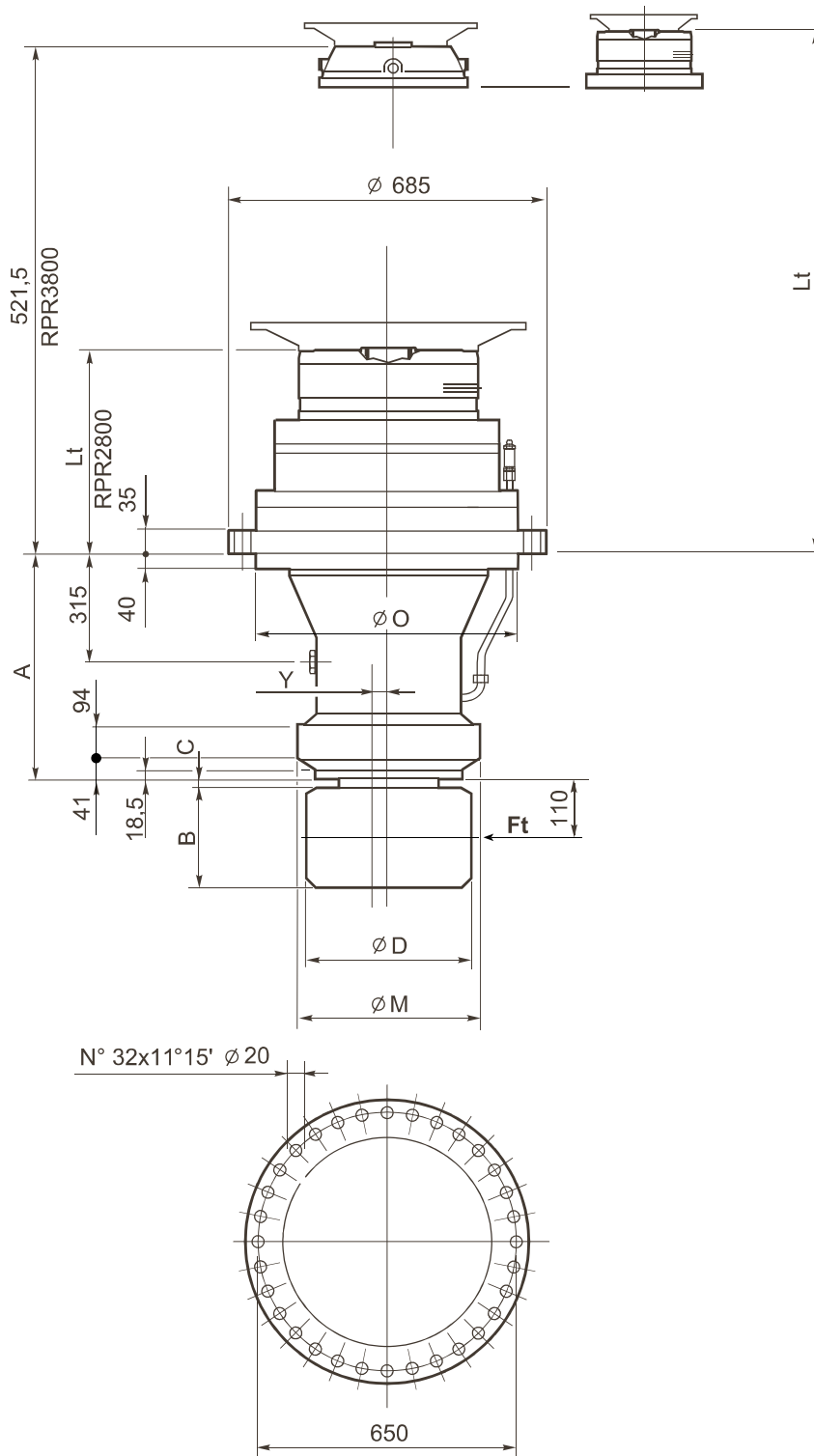




# RPR800DC



Support type	$Ft_{FEM}$ [N]	$Ft_{max}$ [N]	A	A1	$\varnothing M$	$\varnothing O$	$\varnothing F$	E	Y
Dce	1.090.000	1.345.000	505	-	395 h8	600 h8	-	-	2,5