



# TCS3050DC

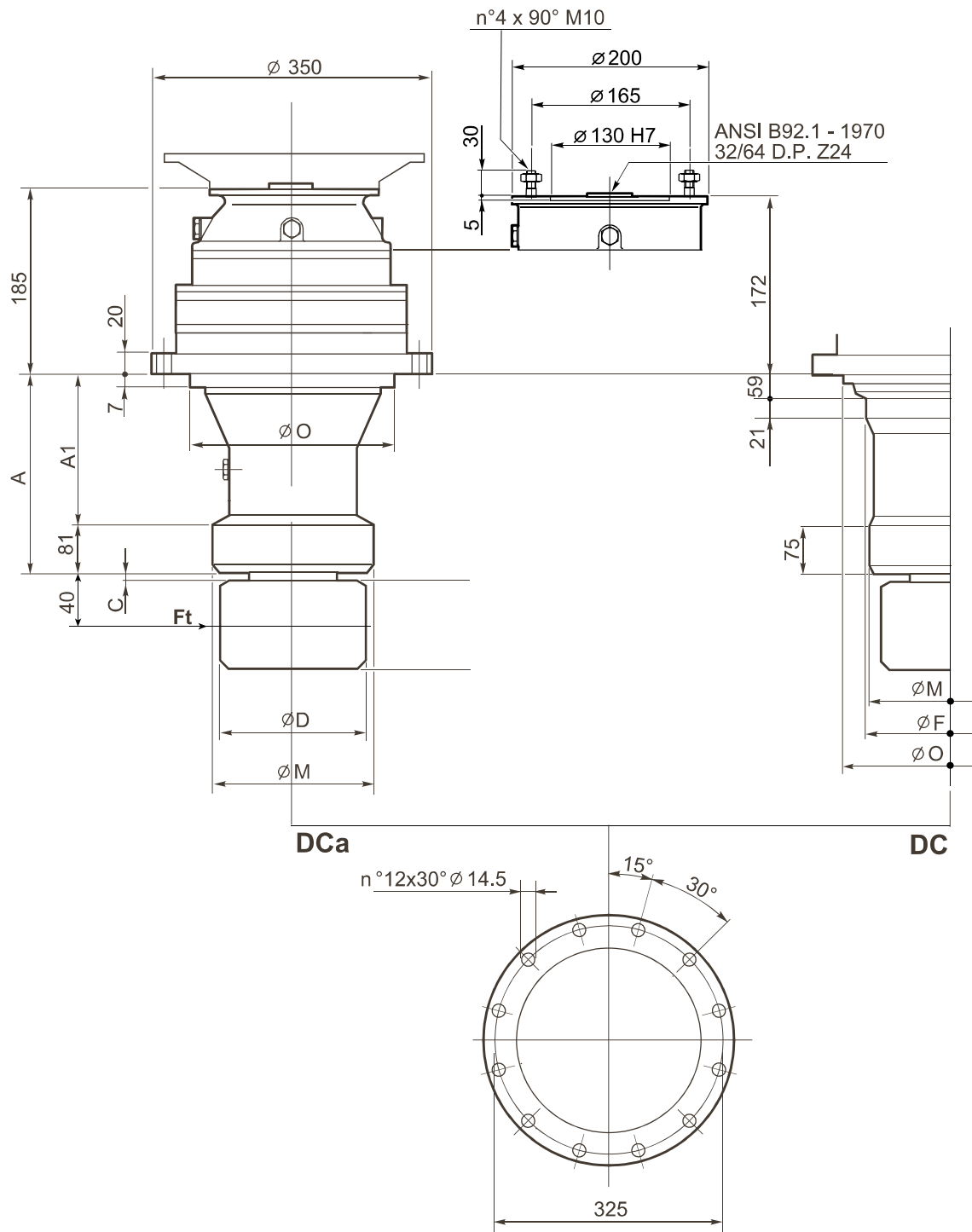
$n_2 = 10 \text{ rpm} - T_{\text{FEM M5}(T5 - L2)}$

| i =    | $T_{\text{FEM}}$<br>[Nm] | $T_{2_{\text{max.}}}$<br>[Nm] |
|--------|--------------------------|-------------------------------|
| 120,37 | 6.710                    | 9.000                         |
| 130,99 |                          |                               |
| 141,76 |                          |                               |
| 164,52 |                          |                               |
| 190,29 |                          |                               |
|        |                          |                               |
|        |                          |                               |
|        |                          |                               |
|        |                          |                               |
|        |                          |                               |
|        |                          |                               |
|        |                          |                               |
|        |                          |                               |
|        |                          |                               |
|        |                          |                               |
|        |                          |                               |
|        |                          |                               |
|        |                          |                               |
|        |                          |                               |
|        |                          |                               |
|        |                          |                               |
|        |                          |                               |

| Pinion code | m  | z  | x     | Ø D   | B  | C | Support code |
|-------------|----|----|-------|-------|----|---|--------------|
| 9002669     | 8  | 14 | 0,356 | 133,7 | 78 | 3 | DC - DCa     |
| 335684      | 8  | 16 | 0,1   | 143,2 | 71 | 3 | DC - DCa     |
| 9000717     | 10 | 11 | 0,715 | 141,5 | 80 | 3 | DC - DCa     |
| 335686      | 10 | 11 | 0,531 | 139   | 92 | 3 | DC - DCa     |
| 335685      | 10 | 11 | 0,57  | 138,8 | 82 | 3 | DC - DCa     |
| 9001342     | 10 | 11 | 0,63  | 140,5 | 80 | 3 | DC - DCa     |
| 335687      | 10 | 12 | 0,32  | 143,7 | 78 | 3 | DC - DCa     |
|             |    |    |       |       |    |   |              |
|             |    |    |       |       |    |   |              |
|             |    |    |       |       |    |   |              |
|             |    |    |       |       |    |   |              |
|             |    |    |       |       |    |   |              |
|             |    |    |       |       |    |   |              |
|             |    |    |       |       |    |   |              |
|             |    |    |       |       |    |   |              |
|             |    |    |       |       |    |   |              |
|             |    |    |       |       |    |   |              |
|             |    |    |       |       |    |   |              |
|             |    |    |       |       |    |   |              |
|             |    |    |       |       |    |   |              |
|             |    |    |       |       |    |   |              |
|             |    |    |       |       |    |   |              |
|             |    |    |       |       |    |   |              |
|             |    |    |       |       |    |   |              |
|             |    |    |       |       |    |   |              |
|             |    |    |       |       |    |   |              |
|             |    |    |       |       |    |   |              |
|             |    |    |       |       |    |   |              |
|             |    |    |       |       |    |   |              |
|             |    |    |       |       |    |   |              |
|             |    |    |       |       |    |   |              |
|             |    |    |       |       |    |   |              |

| Type    | n, max.<br>[rpm] |  Kg. |  It. |
|---------|------------------|---|---|
| TCS3050 | 3.000            |   | 3,6   |
|         |                  |   |   |

# TCS3050DC



| Support type | $F_{t_{FEM}}$ [N] | $F_{t_{max}}$ [N] | A   | A1  | $\varnothing M$ | $\varnothing O$ | $\varnothing F$ | E | Y |
|--------------|-------------------|-------------------|-----|-----|-----------------|-----------------|-----------------|---|---|
| DCa          | 80.000            | 84.500            | 289 | 208 | 184 f7          | 290 f7          | -               | - | - |
| DC           | 80.000            | 84.500            | 289 | 214 | 150 f7          | 290 f7          | 160 f7          | - | - |
|              |                   |                   |     |     |                 |                 |                 |   |   |
|              |                   |                   |     |     |                 |                 |                 |   |   |