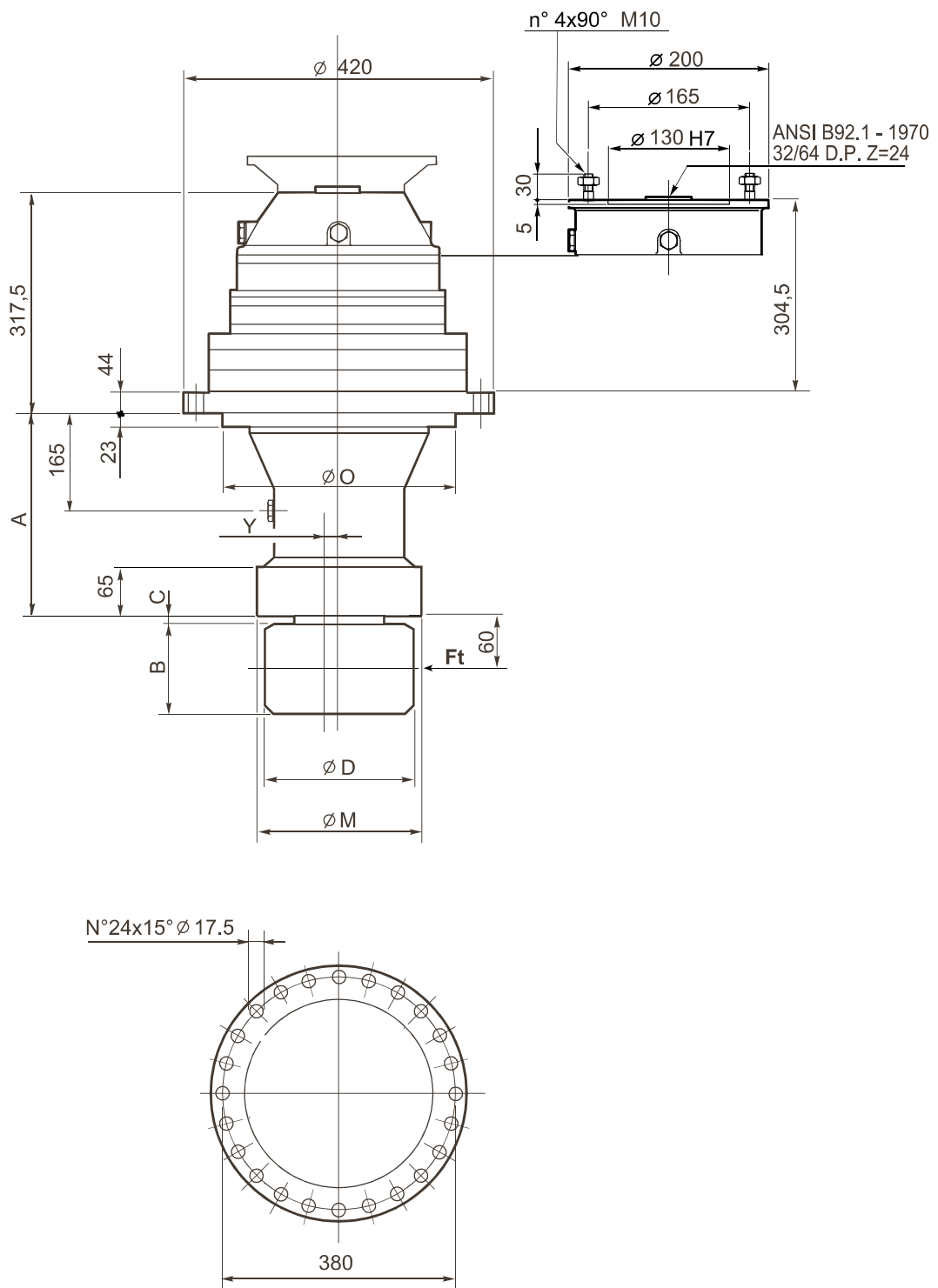


TCS3140DC



Support type	Ft_{FEM} [N]	Ft_{max} [N]	A	A1	$\varnothing M$	$\varnothing O$	$\varnothing F$	E	Y
DCSe	331.500	386.500	295	-	250 f7	280 f7	-	-	2,5