



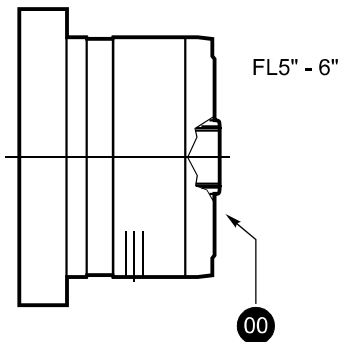
SLS400DC

$n_2 = 15 \text{ rpm.}$

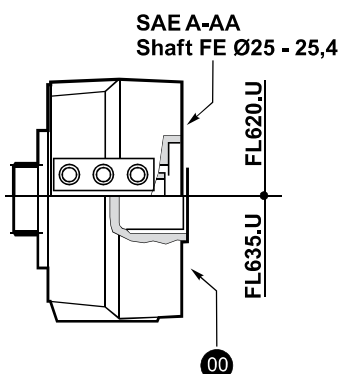
SLS4002 $i =$	T_{FEM} [Nm]	$T2_{max.}$ [Nm]	SLS4003 $i =$	T_{FEM} [Nm]	$T2_{max.}$ [Nm]
16,5	61.400	100.000	57,8	61.400	100.000
18,5			64,7		
19,3	53.950	90.000	67,6	53.950	90.000
21,6			83,6		
24,7			93,6		
29,3	53.350		102,7	53.350	
30,4	41.300	72.000	110,9	61.400	100.000
36			126,9		
45	39.950		146,7	53.350	90.000
			159,1	41.300	72.000

Pinion code	m	z	x	$\varnothing D$	B	C	Support code	Kg.
9003903	18	12	0,5	268	160	5	DCe	

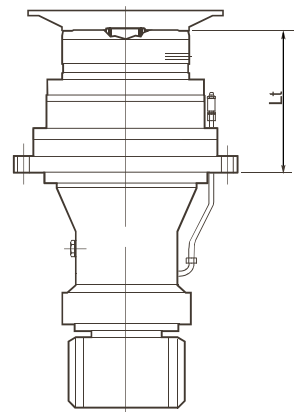
Type	$n_1 \text{ max.}$ [rpm]		
SLS4002	2.500		
SLS4003	3.000		



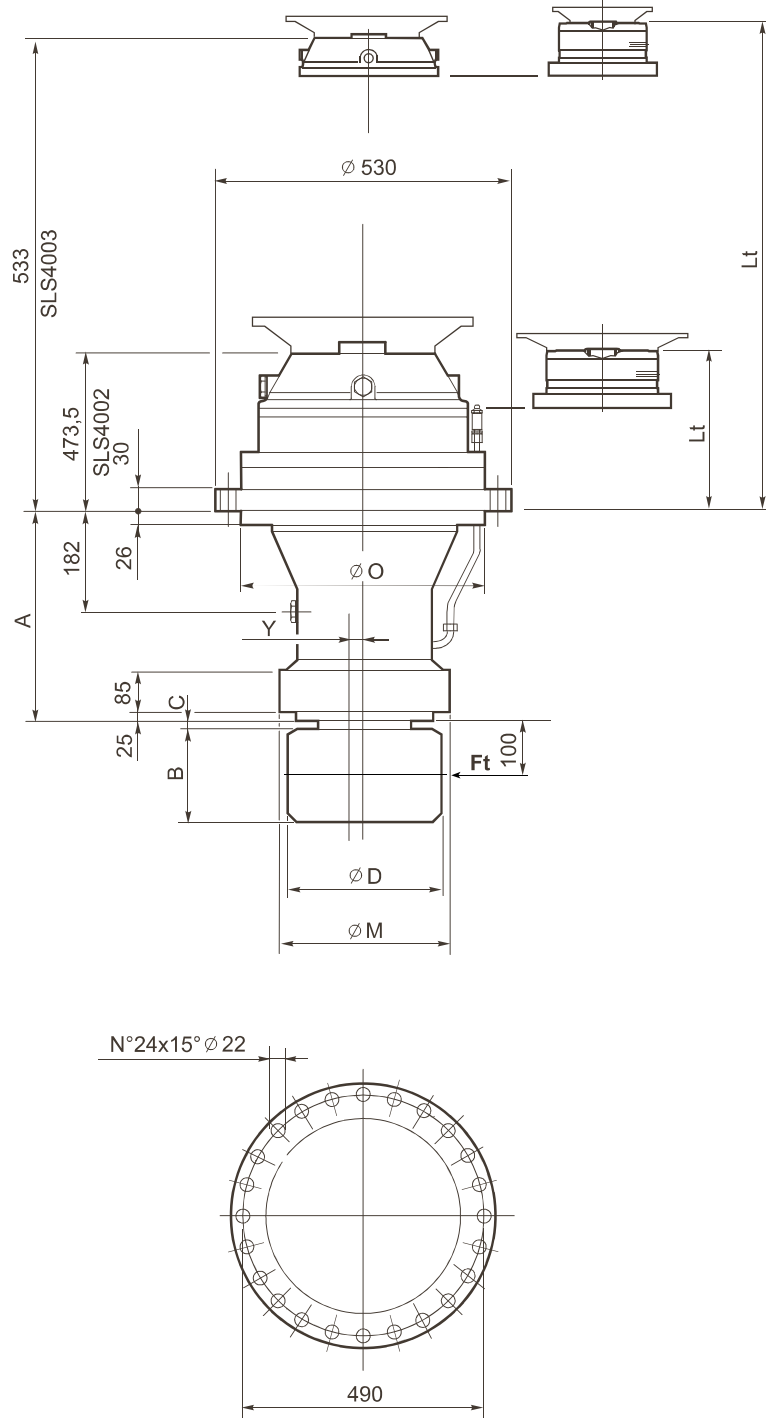
Type	FL250.4C FL250.6C	FL350.6C FL350.8C	FL450.6C FL450.8C	FL650.10C FL650.12C FL650.14C	FL750.10C FL750.12C FL750.14C	FL960.12C FL960.14C FL960.16C FL960.18C
	Lt					
SLS4002	552,5	552,5	552,5	566	566	580
SLS4003	638,5	638,5	638,5	652	652	666



Type	FL620.U	FL635.U
	Lt	
SLS4002	--	--
SLS4003	637,5	624



SLS400DC





Support type	Ft _{FEM} [N]	Ft _{max} [N]	A	A1	Ø M	Ø O	Ø F	E	Y
DCe	791.000	823.000	347	-	325 h8	410 h8	-	-	2

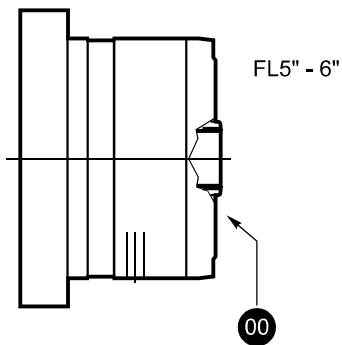
SLS400FA

$n_2 = 15 \text{ rpm.}$

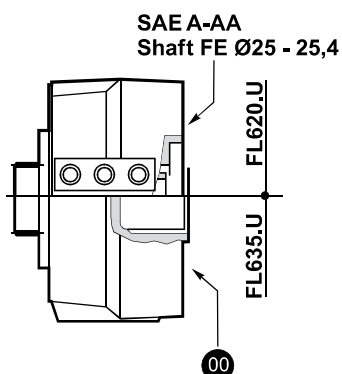
SLS4002 $i =$	T_{FEM} [Nm]	$T2_{max.}$ [Nm]	SLS4003 $i =$	T_{FEM} [Nm]	$T2_{max.}$ [Nm]
16,5	61.400	100.000	57,8	61.400	100.000
18,5			64,7		
19,3	53.950	90.000	67,6	53.950	90.000
21,6			83,6		
24,7			93,6		
29,3	53.350		102,7	53.350	
30,4	41.300	72.000	110,9	61.400	100.000
36			126,9		
45	39.950		146,7	53.350	90.000
			159,1	41.300	72.000

Pinion code	m	z	x	$\varnothing D$	B	C	Support code	Kg.
9004074	20	14	0,5	335	143	5,5	FAe	

Type	$n_1 \text{ max.}$ [min ⁻¹]		
SLS4002	2.500		
SLS4003	3.000		



Type	FL250.4C FL250.6C	FL350.6C FL350.8C	FL450.6C FL450.8C	FL650.10C FL650.12C FL650.14C	FL750.10C FL750.12C FL750.14C	FL960.12C FL960.14C FL960.16C FL960.18C
	Lt					
SLS4002	716,5	716,5	716,5	730	730	744
SLS4003	800,5	800,5	800,5	816	816	828



Type	FL620.U	FL635.U
	Lt	
SLS4002	--	--
SLS4003	801,5	788

