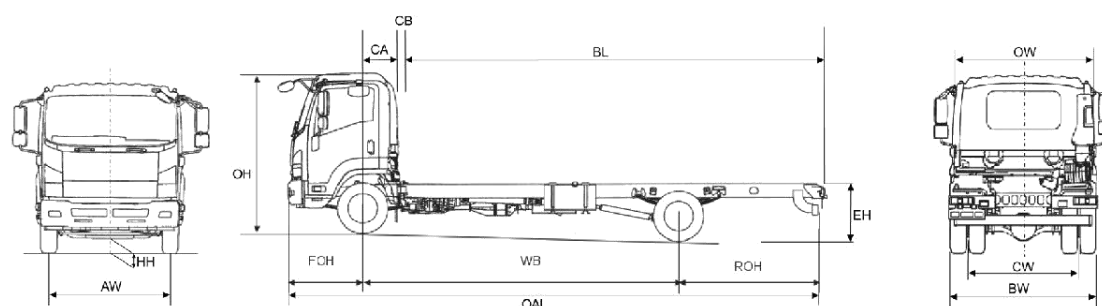
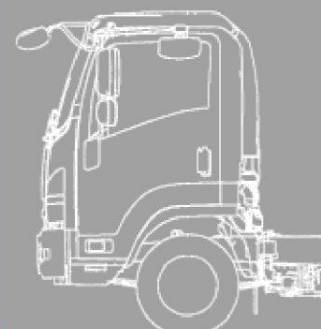


# ISUZU F110.210 (E)

## 11.00T GVW

(Easyshift transmission) 4x2 rigid

EURO VI



### Standard vehicle plated weights (kg)

GVW	11000
GTW	14500

### Axle design weights (kg)

Front	4000
Rear	7600

### Weights (kg)

Cab type		day	day	day
Wheelbase	WB	4060	4660	4990
Vehicle Mass Unladen	Front	2290	2300	2320
	Rear	1220	1240	1240
<b>Total</b>		<b>3510</b>	<b>3540</b>	<b>3560</b>
GVW		11000	11000	11000
Max. Permissible Trailer Weight		3500	3500	3500
Body & Payload Allowance		7490	7460	7440

### Dimensions (mm)

Overall Length	OAL	7000	7900	8350
Overhang - Front	FOH	1170	1170	1170
Overhang - Rear	ROH	1770	2070	2190
Cab Gap	CB	150	150	150
C/L Front Axle to Rear of Cab	CA	556	556	556
Recommended Body Length	BL	5468	6368	6818
Chassis Frame Width		840	840	840
Recommended Body Width		2550	2550	2550
Recommended Maximum Body Width		2600*	2600*	2600*
Cab Width	OW	2200	2200	2200
Overall Height (Unladen)	OH	2510	2510	2505
Chassis Height (Unladen)	EH	875	930	930
Minimum Road Clearance	HH	165	165	165
Track - Front	AW	1795	1795	1795
Track - Rear	CW	1660	1660	1660
Rear Axle Width	BW	2170	2170	2170

\*Max dimension for refrigerated bodies only

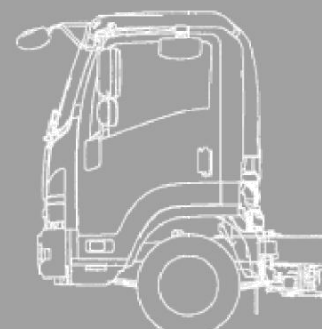
1. Unladen weights excludes driver, fuel, Ad Blue. Includes spare wheel + carrier (Tolerance  $\pm$  3%).
2. Body lengths are given as a guide only. Bodybuilders are responsible for ensuring all legal requirements are met.
3. Maximum body lengths are calculated to remain within the maximum permitted overhang of 60% of the wheelbase. Cab gaps may vary.
4. Isuzu Truck (UK) Ltd. shall have no liability whatsoever should the information supplied have incorrect data, descriptions or illustrations.

# ISUZU F110.210(E)

## 11.00T GVW

(Easyshift transmission) 4x2 rigid

EURO VI



### Mechanical Specification (standard equipment)

#### Engine 4HK1E6S

Isuzu turbo intercooled  
OHC 4 cylinder diesel  
(Euro V I)  
Bore: 115mm  
Stroke: 125mm  
Capacity: 5193cc  
Max Power: 154kW  
(210 PS) at 2400rpm  
Max Torque: 706Nm at  
1600rpm  
Injection Type: Common  
rail

#### Euro VI Compliance:

EGR (Exhaust Gas  
Recirculation) with  
DPD (Diesel Particulate  
Diffuser) SCR Adblue and  
OBD

#### Fuel Tank

Capacity: 140 litres  
Ad Blue: 16 litres

#### Transmission

Electro hydraulic  
controlled 6-speed  
MZW6P with fully  
automated and  
sequential shift modes  
Ratios: 1st6.615

2nd4.095

3rd2.358

4th1.531

5th1.000

6th0.722

reverse 6.615

Rear Axle Ratio: 4.555:1

Tyres: 235/75 17.5 radial

Wheels: Steel 17.5 x 6.75,  
6-stud

#### Cab Exterior

Aerodynamic Isuzu  
Hexapod design white  
all steel cab with roof  
outline markers  
Tilt to 45 deg.  
Keyless door entry and  
immobiliser  
Laminated windscreen  
Non-slip entry steps  
90 deg. opening doors  
Zinc galvanised frame  
structure  
2 halogen headlamp units  
with indicators  
Front mudguards with  
spray suppression  
All-steel front bumper  
with fog and daytime  
running lamps

Chrome radiator grille  
Aluminium rear bumper

#### Frame

Parallel ladder type  
channel section

#### Cooling

Tube and fin type  
radiator with fan and  
viscous clutch  
Frame mounted fuel  
cooler

#### Clutch

Fluid hydrokinetic  
coupling with lock-up  
clutch

#### Cab Interior

Flame-resistant interior  
trim  
Vinyl floor matting  
Dual long grab handles  
each side  
SRS airbags driver and  
passenger  
Header console storage  
Interior fluorescent  
lighting

#### Seats (all cloth)

Driver's adjustable  
air-suspended seat  
with head restraint and  
3-point seat belt with pre-  
tensioner  
Rigid centre seat with  
2-point seatbelt  
Rigid passenger seat  
with head restraint and  
3-point seat belt pre-  
tensioner

#### Vision

Large door mounted  
heated mirrors  
Front underview mirror  
and kerb mirror  
Driver and passenger sun  
visors  
Deep cut side windows to  
reduce blind spots  
Electric windows with  
driver control and lock

#### Heating & Ventilation

4-Speed blower  
Multiple cab vents

#### Axles

Front: Reverse Elliott  
I-Beam

Rear: Banjo type, fully  
floating

#### Suspension

Front: Multi Taper-leaf  
steel springs  
Rear: Multi Taper-leaf  
steel springs with helper

#### Steering

Recirculating ball type  
with full integral hydraulic  
power assistance  
Tilt and telescopic  
steering column

#### Brakes

System: ABS air over  
hydraulic, dual circuit  
with anti-slip regulation,  
Front: Drum 320mm x  
120mm  
Rear: Drum 320mm x  
145mm  
Park: Rear Wheel  
Air dryer

#### Instruments

Rev counter  
Tachograph, digital  
Siemens VDO  
Speedometer with  
odometer and trip  
Multi-information  
display provides data on  
servicing emissions and  
fuel economy  
Gauges: Fuel level,  
coolant temperature and  
air pressure

#### Switches & Electrical

Electrical vehicle speed  
limiter set at 56mph  
(90kph) with automatic  
cruise control  
Steering column mounted  
switch for indicators, side  
lights, headlights, high  
beam, front and rear fog  
lamps  
Wiper and washer  
(2-speed and  
intermittent)  
Exhaust brake  
Brake warning buzzer  
Steering wheel horn  
Hazard lights  
Headlamp levelling  
Interior light  
Key operation for quick  
cold start, start and stop  
Cigarette lighter

Central locking  
Reverse warning  
DPD engage  
Engine idle control  
Heated mirrors  
Gear box emergency  
override  
ASR off  
Heater stage

#### Warning /Indicator Lamps

Battery charge  
Oil pressure  
Brake system  
Low fuel  
Glow plug operation  
High beam indicators  
Parking brake on  
Exhaust brake operation  
Fuel/water separator  
Check engine  
ABS  
SVS  
DPD operation  
OBD  
Front and rear fog  
Air pressure warning  
1st gear indicator  
Eco mode  
Engine over heat  
Adblue level  
Seat belt  
SRS airbag

#### Tool Kit

Jack with a small  
selection of hand tools

#### Radio

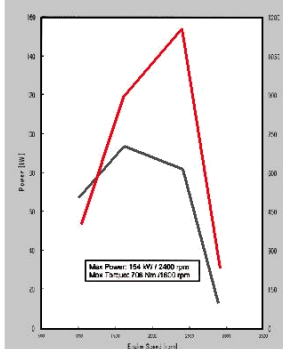
DAB radio with CD player

#### Storage Space

Centre seat back  
compartment  
Door pockets  
Two overhead lockers  
Centre tray  
Dashboard pockets  
Card holder

#### Ancillaries

Starter: 24 V x 4.5kW  
Alternator: 24 V – 90 Amp  
Quick Start: 4 glow plugs  
on start relay  
Battery: 2 x 12 V - 115 AH



#### The following optional items are available:

- Isuzu Branded Mats
- Aerodynamic Body Kits
- Satellite Navigation
- Reversing Aids
- PTO Switch
- Telematics

For further information  
please contact your local  
dealer, ring us directly on

**(01) 4194500**  
or visit our website  
[www.isuzureland.com](http://www.isuzureland.com)

Isuzu Ireland,  
Naas Road  
Dublin 12,

**ISUZU**

