

# SINOTRUK A7 8X4

**Distributed by Truck Dealers International**

**Part of the Harris Group of Companies supplying the Construction Industry for over 50  
Years**

## Chassis Parameters

Chassis Kerb Weight (kg)	10,400	
Maximum permissible gross weight (kg)	32000 (Design 39000)	
Axle design loads (kg)	Front Axle	9000/9000
	Rear Axle	26000
Maximum permissible axle load in the EU	Front Axle	7500/7500
	Rear Axle	19000
Maximum speed (km / h)	90 (Limited)	
Standard Fuel tank capacity (L)	300 Alloy (Option 200 alloy)	

## Dimensions (See Drawing on last page)

Dimensions	Overall Length (mm)	9400
	Width (mm)	2496
	Height (mm) (unladen)	3050
Wheelbase (mm)	1950+3200+1400=6550	
Front Overhang (mm)	1540	
Rear Overhang (mm)	1310	
Tread(mm)	Front wheel	2041
	Rear wheel	1830

## Ground Clearance & approach Angle information

Minimum ground clearance (front axle) (mm)	296
Minimum ground clearance (rear axle) (mm)	297
Ground clearance between axles	350
Approach Angle (°)	20
Departure Angle (°)	42 (Depending on rear overhang choice)

## Cab

Cab Type	(A7-P) High roof Sleeper cab, finished in grey trim, fitted with MPH and KPH dual display instrument panel,
Number of seats	Two with intergrated seat belts, drivers with full air suspension
Four Point Air Suspension Cab	Standard
Air Conditioning	Standard
Stoneridge Tachograph	Standard
Multi Function Drivers Display	Standard
Cruise Control System	Standard

## Engine

Model	D12.42.-50
Displacement (L)	11.596
Rated Power KW / (r / min)	305KW/2000 420PS/2000
Maximum Torque Nm / (r / min)	1820/1100-1400
Engine PTO	For mixer spec

## Transmission

Make	ZF
Model	16S2230TO 16 speed Ecosplit Transmission with Servoshift

Gear	1	2	3	4	5	6	7	8	9	10	11	12	13	14	15	16	R1	R2
Ratio	13.80	11.54	9.49	7.93	6.53	5.46	4.57	3.82	3.02	2.53	2.08	1.74	1.43	1.20	1.00	0.84	12.92	10.80

## Drive Axle

Model	MCY13	non-asbestos linings
Final Drive Ratio	Ratio	3.36 (Opt 3.7, 4.1)
Differential locks	Interaxle plus cross axle locks	

## Front Axle

Model	HF9 Disc with non-asbestos linings
-------	------------------------------------

## Wheels &amp; Tyres

Rims	9 - R22.5
Tyre	315/80R22.5 Steel wheel hub (Optional Alloy Rims available) (295/80R22.5 Opt on rear)

## Frame

Type	Ladder frame, with flat top, without spare tyre & holder. Front screw in type recovery eye.
Main stringer cross-section (mm)	300x80x8
Frame assembly width (mm)	Front 1080 Rear 850

## Steering

Steering type / model	Recirculating Ball-Type Hydraulic power
Steering ratio	22.2~26.2
Steering wheel type	RHD
Rated working pressure (kPa)	850

### Braking System

Type of brake system	Dual-circuit air brake
ABS system Wabco	ABS+ASR
Front Axle	Disc Brake
Rear Axle	Drum Brake
Type of parking brake system	Spring brake
Assisted Braking System	Engine exhaust brake

### Electrical System

Voltage (V)	24
Alternator (A)	70A
Battery Voltage / Capacitance (V / Ah)	2x12/165

### Tachograph

Stoneridge Tachograph	Generation III (Dual Signal)
--------------------------	---------------------------------

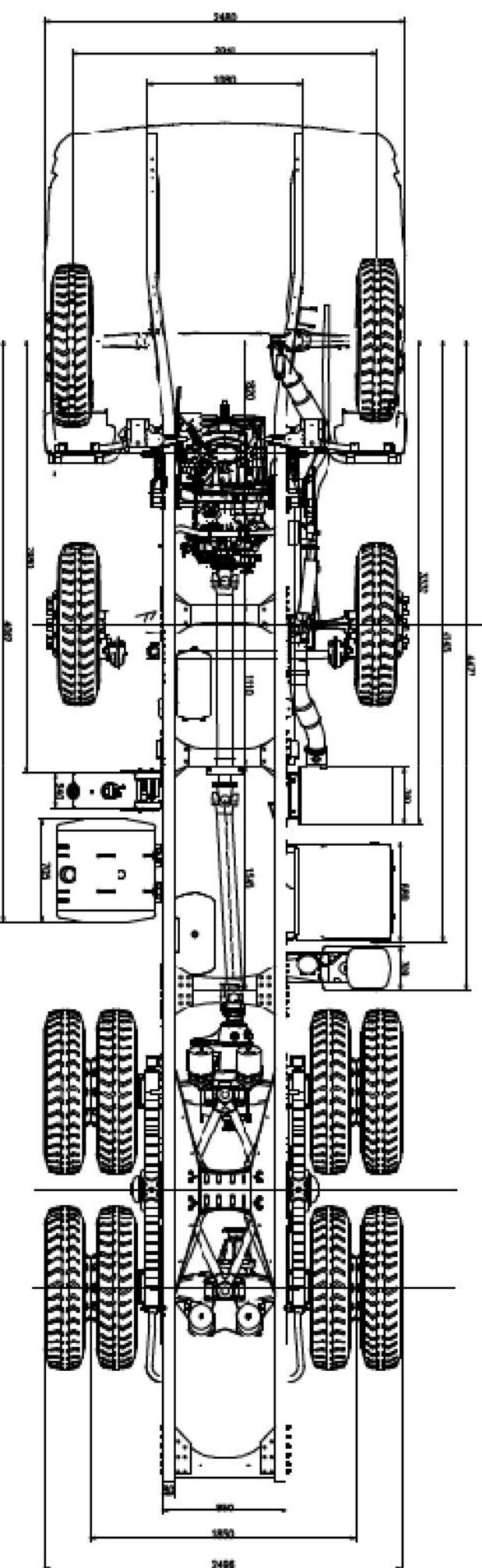
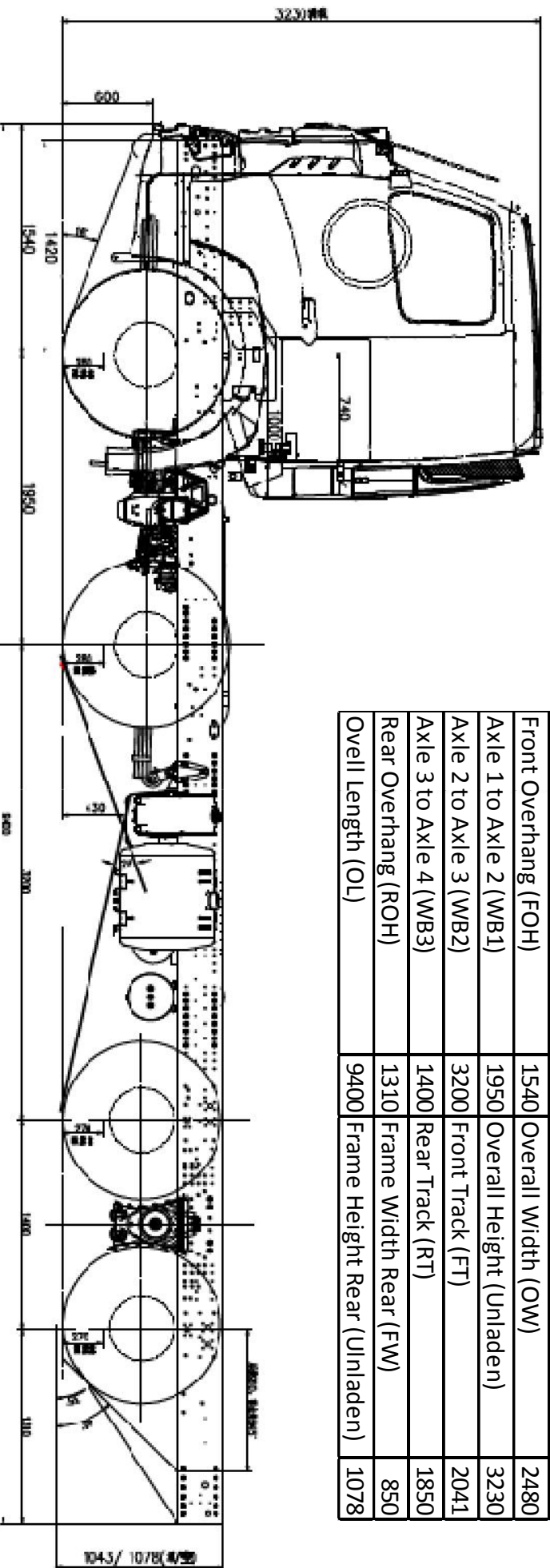
### Air Dryer

Air Dryer	Spin-On Type
-----------	--------------

### Steering

Steering type / model	Recirculating Ball-Type Hydraulic power
Steering ratio	22.2 ~ 26.2
Traffic Type	RHD
Rated working pressure (kPa)	850

DIMENSIONS (mm)			
Front Overhang (FOH)	1540	Axle 1 to Cab Rear	740
Axle 1 to Axle 2 (WB1)	1950	Overall Width (OW)	2480
Axle 2 to Axle 3 (WB2)	3200	Overall Height (Unladen)	3230
Axle 3 to Axle 4 (WB3)	1400	Front Track (FT)	2041
Rear Overhang (ROH)	1310	Rear Track (RT)	1850
Overall Length (OL)	9400	Frame Width Rear (FW)	850
		Frame Height Rear (Unladen)	1078



[WWW.SINOTRUK.IE](http://WWW.SINOTRUK.IE)

Dealer Details



UK & Ireland Distributor:

Truck Dealers International  
Naas Road  
Dublin 12  
Ireland

Tel: +353 (0)1 4194500