

## Tandem Vibratory Roller

### BW90AD-2

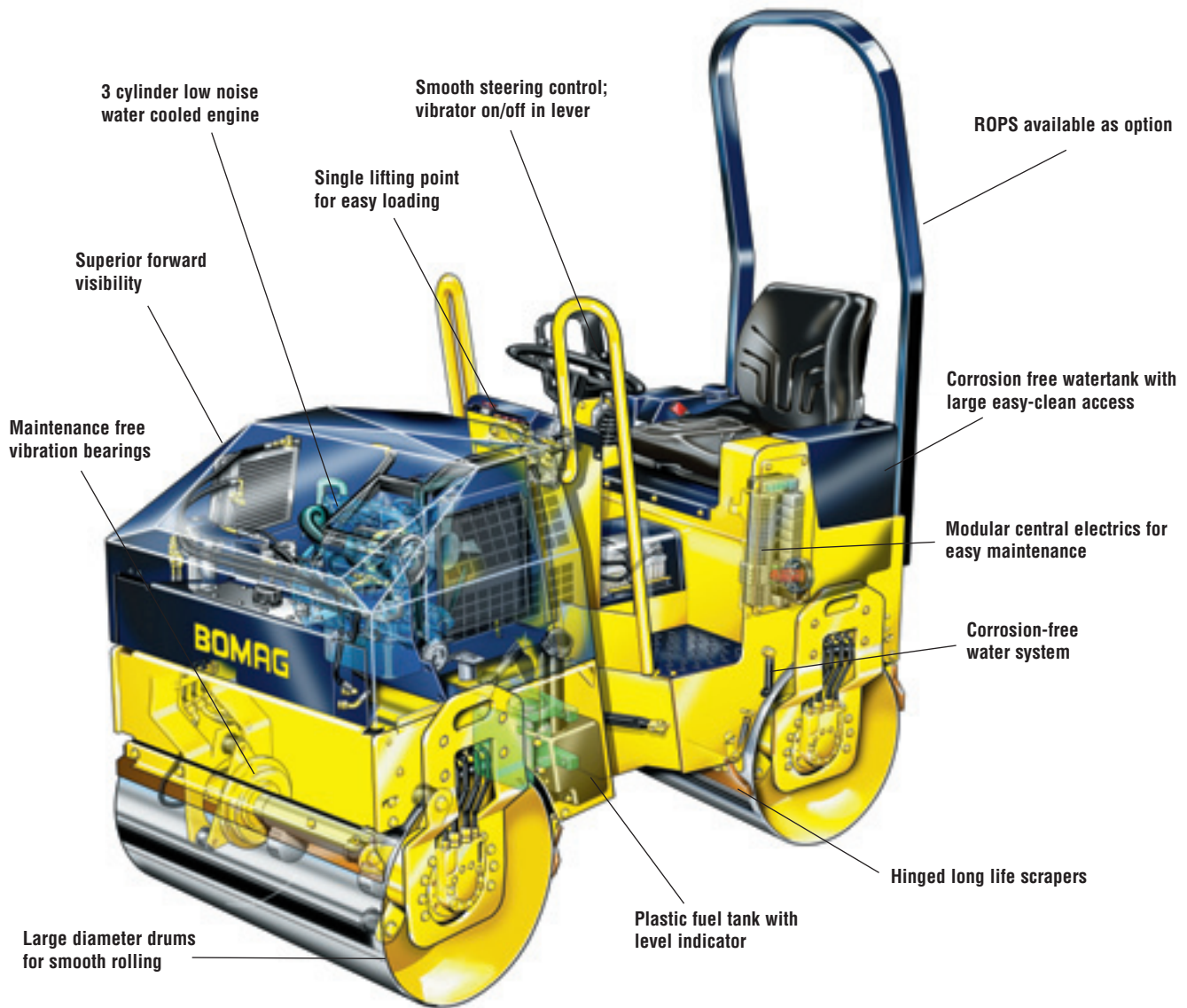


EARTHWORKS						
# passes	rolling speed (mph)	area coverage sq yd/hr	“productivity in cu yd/hr by lift thickness, 100% efficiency”			
			4 inches	6 inches	8 inches	12 inches
2	2.8	2423	270	404	539	809
3	2.8	1615	180	270	359	539
4	2.8	1211	135	202	270	404
5	2.8	969	108	162	216	324

ASPHALTIC CONCRETE (material weight 140 lb/cu ft)						
# passes	rolling speed (mph)	area coverage sq yd/hr	“productivity in tons/hr by lift thickness, 100% efficiency”			
			1.5 inches	2 inches	2.5 inches	3 inches
2	2.8	2423	191	255	318	382
3	2.8	1615	127	170	212	255
4	2.8	1211	96	127	159	191
5	2.8	969	76	102	127	153
6	2.8	808	64	85	106	127

Note: Repeat number of passes over the same area is required to achieve specified compaction efficiency/density. Successive passes over same area results in reduced area coverage and productivity. Rolling speed selected provides impact spacing of a minimum 10 impacts per foot at high vibration frequency setting. Actual compaction efficiency is determined by job conditions.

# BW90AD-2



## ■ *BW90AD-2 - designed for today's contractor...*

Compact size, high maneuverability and heavy roller features describe the BW90AD-2 tandem vibratory roller. Integrated design concepts such as tight inside turning radius, minimal lateral overhang and unobstructed view of drum edges make the BW90AD-2 perfect for high productivity in confined areas. Large diameter drums having optimum frequency, amplitude and resultant centrifugal force(s) further enhance operator and roller productivity.

### ■ Applications:

- Granular sub-base compaction
- Walkways, bicycle and cart paths
- Driveways
- Parking lots
- Road rehabilitation and patching



*BW90AD-2 in action on an asphalt repair*

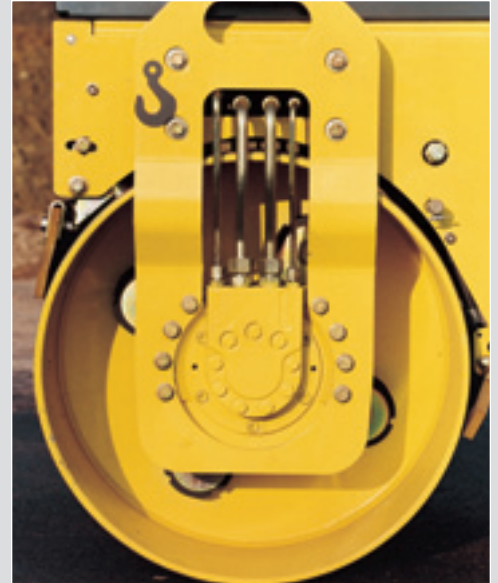
## Featuring...



Controls ensure simple and easy operation

### ■ Handling Easier & Safer:

- The drum edges are clearly visible at all times for excellent maneuverability even in confined areas.
- Ergonomic arrangement of controls ensures simple and easy operation even for inexperienced operators.
- The operator's platform has ample leg room for fatigue-free work.
- Travel lever with integrated vibration control provides sensitive operation.
- Rear drum vibration can be switched off for the compaction of thin lifts.
- Lockable dashboard cover protects controls from vandalism.
- The corrosion-resistant water spray system features a plastic water tank with a large drain opening for easy rinsing.
- Single point lifting eye and tie-downs provide convenient and safe transportation.



Large diameter drum provides optimum surface finish

## Light duty tandem models provide maximum versatility

### ■ Achieve Maximum Productivity:

- Vibration is automatically shut down if working speeds are too high, minimizing operator error which can result in asphalt ripples and costly rework.
- Large diameter drums reduce pushing and cracking, giving a high-quality finish.
- Frequency and amplitude are matched for high performance on a wide range of applications.
- High curb clearance and minimal lateral overhang help avoid damage when working close to obstructions.
- Corrosion-resistant water spray system with large water tank helps to prevent downtime when laying asphalt.
- Hydraulic pump and motors are plumbed in series to maximize gradeability and traction.

### ■ Less Service & Maintenance:

The purchase price is important, but so are the operating costs. Check these features:

- The heavy-duty oscillating, articulation joint is firmly bolted on and designed to withstand extreme loads.
- Wide opening, lockable engine cover allows fast servicing and prevents vandalism.
- The BOMAG oil filtration system extends oil and filter change intervals up to 2 years or 2000 operating hours.
- Maintenance-free vibration bearings and SAHR brakes.
- Hydraulic test ports are easily accessible for fast trouble-shooting.
- Daily checks can be quickly carried out with visual checks for hydraulic oil level, oil filter and air filter.
- LED diagnostics for the electrical system provide effective trouble-shooting on-site.
- Corrosion-resistant control boards with fault-finding LEDs ensure reliability and proper operation.



Excellent visibility makes handling easy



All around easy engine access

*With these features and many more, it's easy to see why this model maintains a high residual value while delivering lower lifetime operating costs.*

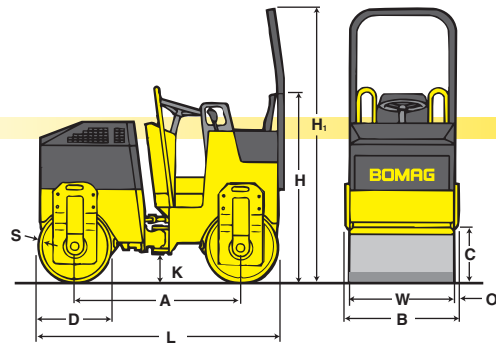
# Technical Specifications

## BW90AD-2

### Shipping dimensions

in cubic feet (m<sup>3</sup>)  
BW90AD-2

without/with ROPS  
93 (2.6) / 150 (4.3)



### Standard Equipment

- Hydrostatic travel and vibration drives
- Bolt-on oscillating/articulation joint
- Hydrostatic articulated steering
- Spring-Applied, Hydraulically-Released (SAHR) parking brakes on each drum
- Vibration control in travel lever
- 2 scrapers per drum
- Plastic water tank
- Pressure sprinkler system with interval timer
- Control and warning indicator lights for:
  - Engine oil pressure
  - Battery
  - Brakes
- Hour meter
- Lockable engine cover
- Vandal protected instrument panel
- Transport lifting points front/rear
- Emergency stop button
- Rear drum vibration lock out
- Corrosion and weather protected ignition switch
- ROPS with seat belt
- Back-up alarm

### Optional Equipment

- Working lights (front & rear)
- Tool kit
- Special paint

### Dimensions in inches (mm)

	A	B	C	D	H	H <sub>1</sub>	K	L	O	S	W
BW90AD-2	50.5	37.6	18	22.8	58.3	90.5	9.8	73.3	1.1	0.5	35.4
	(1282)	(956)	(458)	(580)	(1482)	(2300)	(250)	(1862)	(28)	(12)	(900)

### Technical data

#### Weights

Basic Weight with ROPS	lbs	(kg)	3053	(1385)
Operating Weight	lbs	(kg)	3351	(1520)
Average axle load	lbs	(kg)	1675	(760)
Average static linear load CECE	pli	(kg/cm)	47.3	(8.4)

#### Dimensions

Length with ROPS	in	(mm)	76.1	(1934)
Track Radius, inner	in	(mm)	77.6	(1970)
Dimensions	see sketch			

#### Driving Characteristics (depending on site conditions)

Speed (with vibration)	mph	(kmph)	0-2.8	(0-4.5)
Speed (for transport)	mph	(kmph)	0-5	(0-8)
Max. gradeability without/with vibration	%		40/30	

#### Drive

Engine manufacturer	Kubota		
Type	D 722 B		
Cooling - cylinders	water		
Number of cylinders	3		
Performance ISO 9249 (max)	hp	(kW)	15.9 (11.9)
Speed (max)	rpm		3000
Performance SAE J1349 (max)	hp	(kW)	15.9 (11.9)
Speed (max)	rpm		3000
Electric Equipment	12 V		
Drive System	hydrostatic		
Drum Driven	f + r		

#### Brakes

Service brake	hydrostatic
Parking brake	hydromechanical

#### Steering

Steering system	oscillating, articulating
Steering method	hydrostatic
Steering angle ±	31 degrees
Oscillating angle ±	6 degrees

#### Vibratory system

Vibrating drum	f + r		
Drive system	hydrostatic		
Frequency	vpm	(Hz)	3600 (60)
Amplitude	in	(mm)	0.02 (0.5)
Centrifugal force (each drum)	lbs	(kN)	3372 (15)

#### Water Spray System

Type of water spray system	pressurized
----------------------------	-------------

#### Capacities

Fuel	gal	(l)	6.1 (23)
Water	gal	(l)	26.4 (100)
Emulsion	gal	(l)	2.6 (10)

Technical modifications reserved. Machines may be shown with options.