

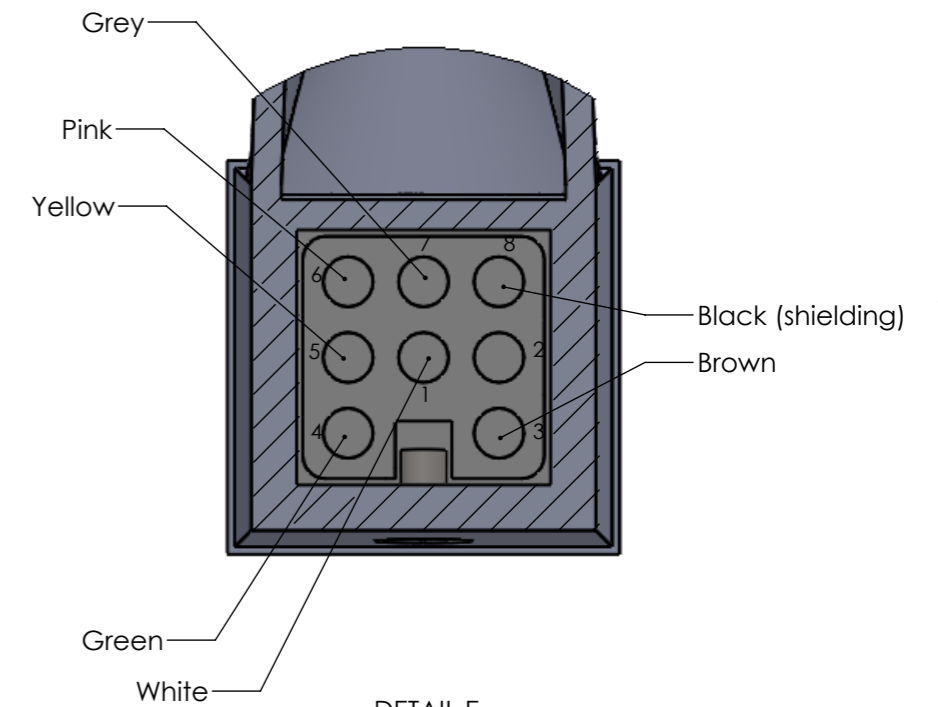
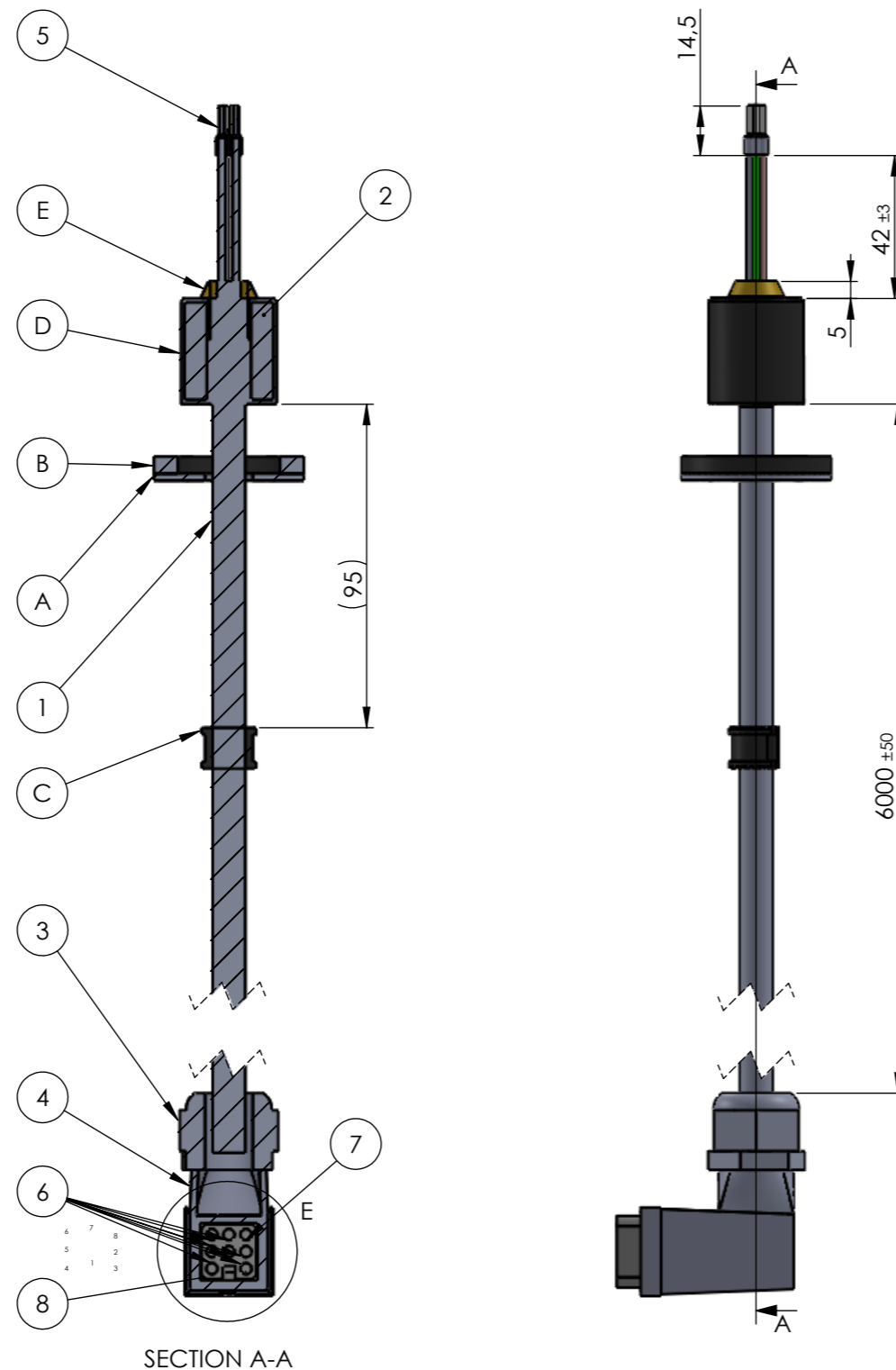
1	2	3	4	5	6	7	8
Item no.	Description	Length/pcs	Manufacture	Manufacture Part no.	UL no.	UL CCN	CTI
1	Cable UNITRONIC LIYCY 3 x 2 x 1,0 *	1	Lapp Group	0035831	NA	NA	
2	WE-AFB EMI Suppression Axial Ferrite Bead	1	Würht elektronik	742700790			
3	SKINTOP ST-M GRÅ	1	Lapp Group	53111020	E79903	QCRV	
4	H-A 3 MTS Metal housing angled	1	Lapp Group	19512300	E75770	ECBT	
5	Connector Terminal tube 1mm <sup>2</sup>	6	Karson	710251002	UL compliant	UL compliant	
6	H-D 1,6 SCREM AG 0,75-1,0 male	6	Lapp Group	13162200	E75770	ECBT	
7	H-D 1,6 SCREM AG 1,5 male	1	Lapp Group	13162300	E75770	ECBT	
8	H-D 7 insert, 7+PE male	1	Lapp Group	11250500	E75770	ECBT	

\* Or similar. Must be approved by UR.

Color RAL 7032

Max. temperature 80°C

UL standard VW-1



DETAIL E  
SCALE 2 : 1

Revision History:	NAME	APP.	DATE	NAME	DATE
REV: 1	Customer updates	hha	hha	19-03-2015	Engineer: llo 27-08-2014
REV: 0		llo			Drawing llo 27-08-2014
REV:					Approved hha 19-03-2015
REV:					
REV:					
REV:					
REV:					
REV:					

UNLESS OTHERWISE SPECIFIED:  
Dimensions are in millimeters  
Debur and break sharp edges  
RoHS compliant (Pb free)  
Cleaned for chips and oil

PROJECTION:

PROPRIETARY AND CONFIDENTIAL  
THE INFORMATION CONTAINED IN THIS  
DRAWING IS THE SOLE PROPERTY OF UNIVERSAL  
ROBOTS. ANY REPRODUCTION IN PART OR AS A  
WHOLE WITHOUT THE WRITTEN PERMISSION OF  
UNIVERSAL ROBOTS IS PROHIBITED

SURFACE FINISH	
TREATMENT	
MATERIAL	Material <not specified>
WEIGHT	89.64 g
TOLERANCE	ISO 2768-1 m
UL class	UL94V-0

**UNIVERSAL ROBOTS**  
TEL: +45 89 93 89 89 FAX: +45 38 79 89 89 WEB: universal-robots.com

TITLE: Cable controller to robot UR3

DATE: 19-03-2015

Status change date: 19-03-2015

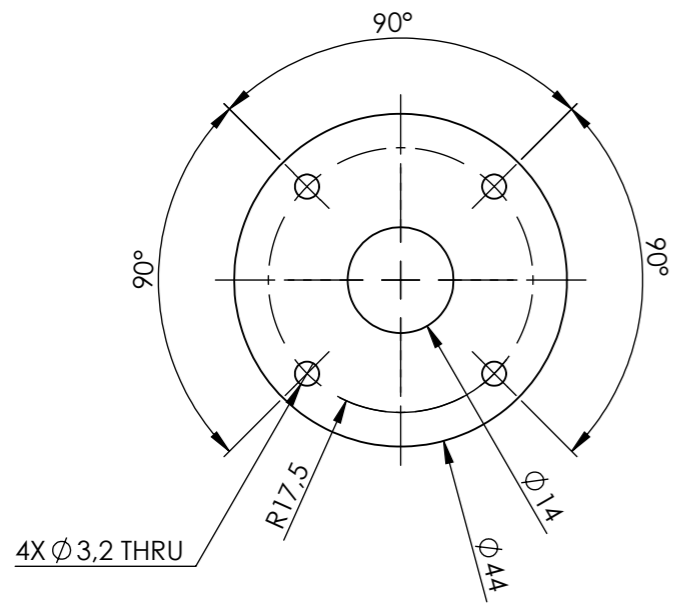
DWG NO. 64263

SCALE: 1:2 SHEET 1 OF 3

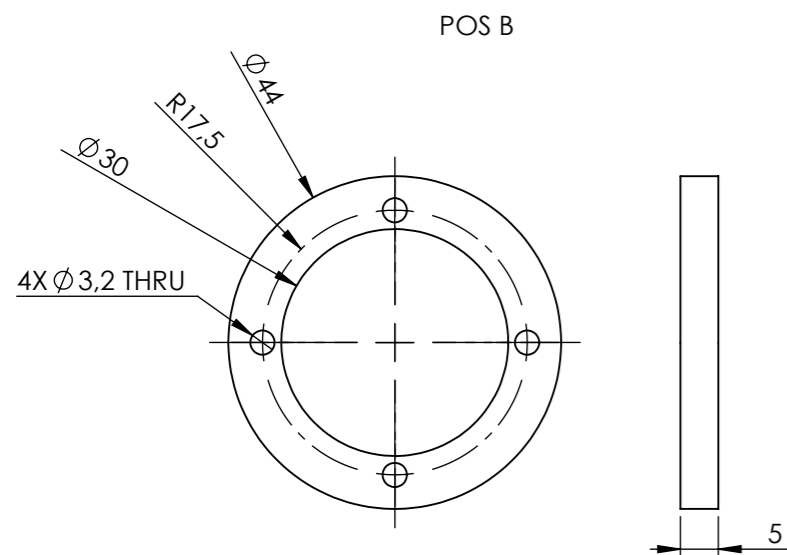
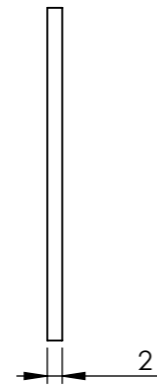
REV. 1

SIZE A3

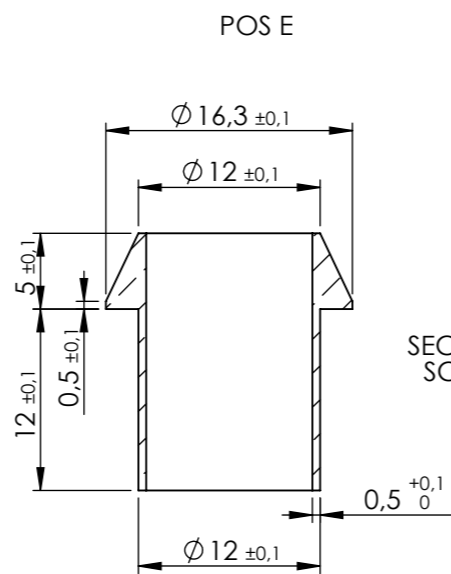
Replace drawing:



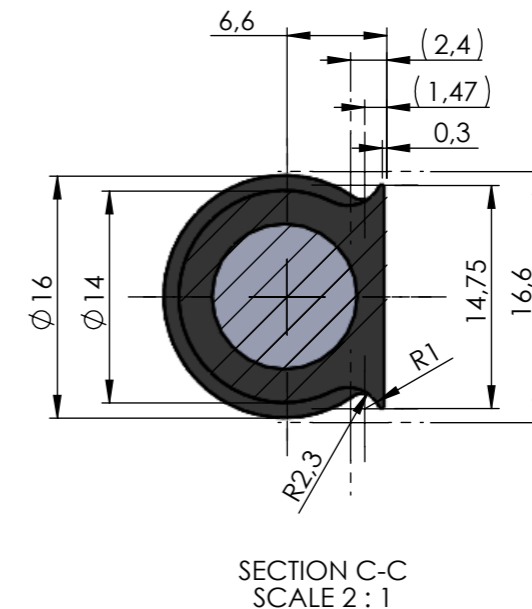
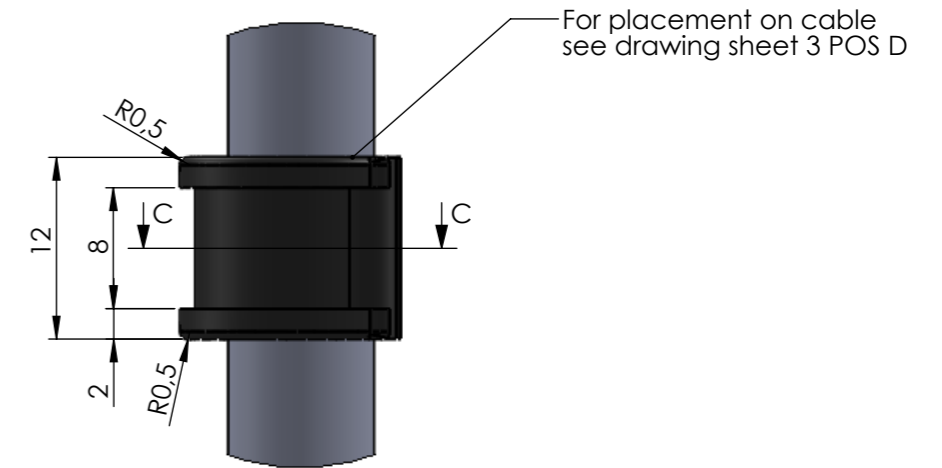
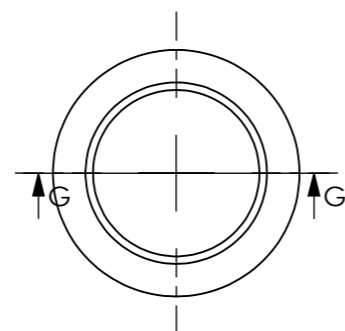
Lasercut stainless steel plate  
Material: 1.4301



Gasket.  
Material: Closed Cell rubber  
UL94V-0



Tube  
Material: Brass



Material: AEM Shore A 65, or similar  
Color: Black  
UL94V-0

Revision History:		NAME	APP.	DATE	NAME	DATE
REV: 1	Customer updates	hha	hha	19-03-2015	Engineer: llo	27-08-2014
REV: 0		llo			Drawing LLO	27-08-2014
REV:					Approved hha	19-03-2015
REV:						
REV:						
REV:						
REV:						
REV:						
REV:						

PROPRIETARY AND CONFIDENTIAL  
THE INFORMATION CONTAINED IN THIS  
DRAWING IS THE SOLE PROPERTY OF UNIVERSAL  
ROBOTS. ANY REPRODUCTION IN PART OR AS A  
WHOLE WITHOUT THE WRITTEN PERMISSION OF  
UNIVERSAL ROBOTS IS PROHIBITED

SURFACE FINISH	
TREATMENT	
MATERIAL	Material <not specified>
WEIGHT	89.64 g
TOLERANCE	ISO 2768-1 m

Replace drawing:

UL class UL94V-0



**UNIVERSAL ROBOTS**

TEL: +45 89 93 89 89 FAX: +45 38 79 89 89 WEB: universal-robots.com

TITLE: Cable controller to robot UR3

DATE: 19-03-2015

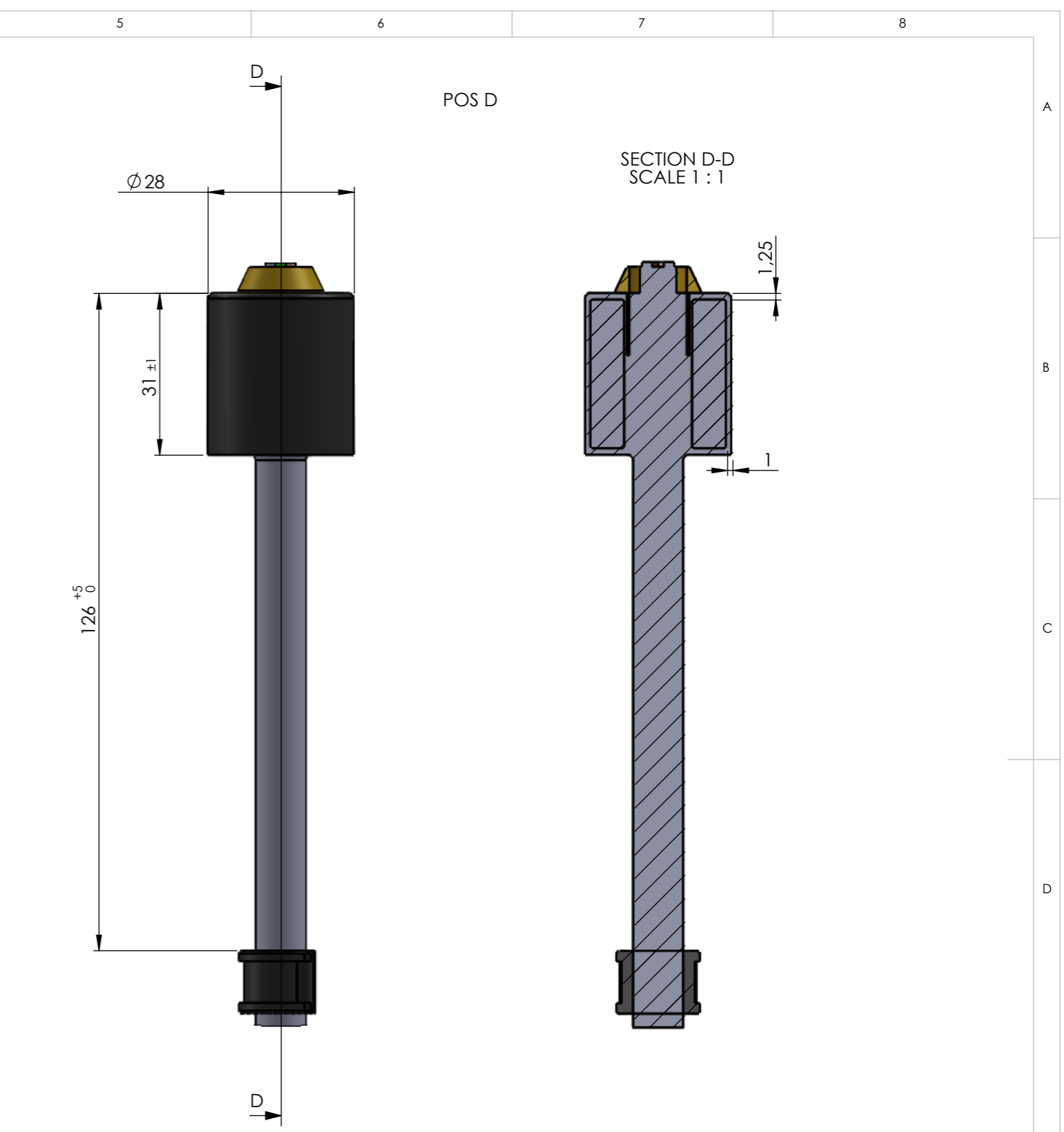
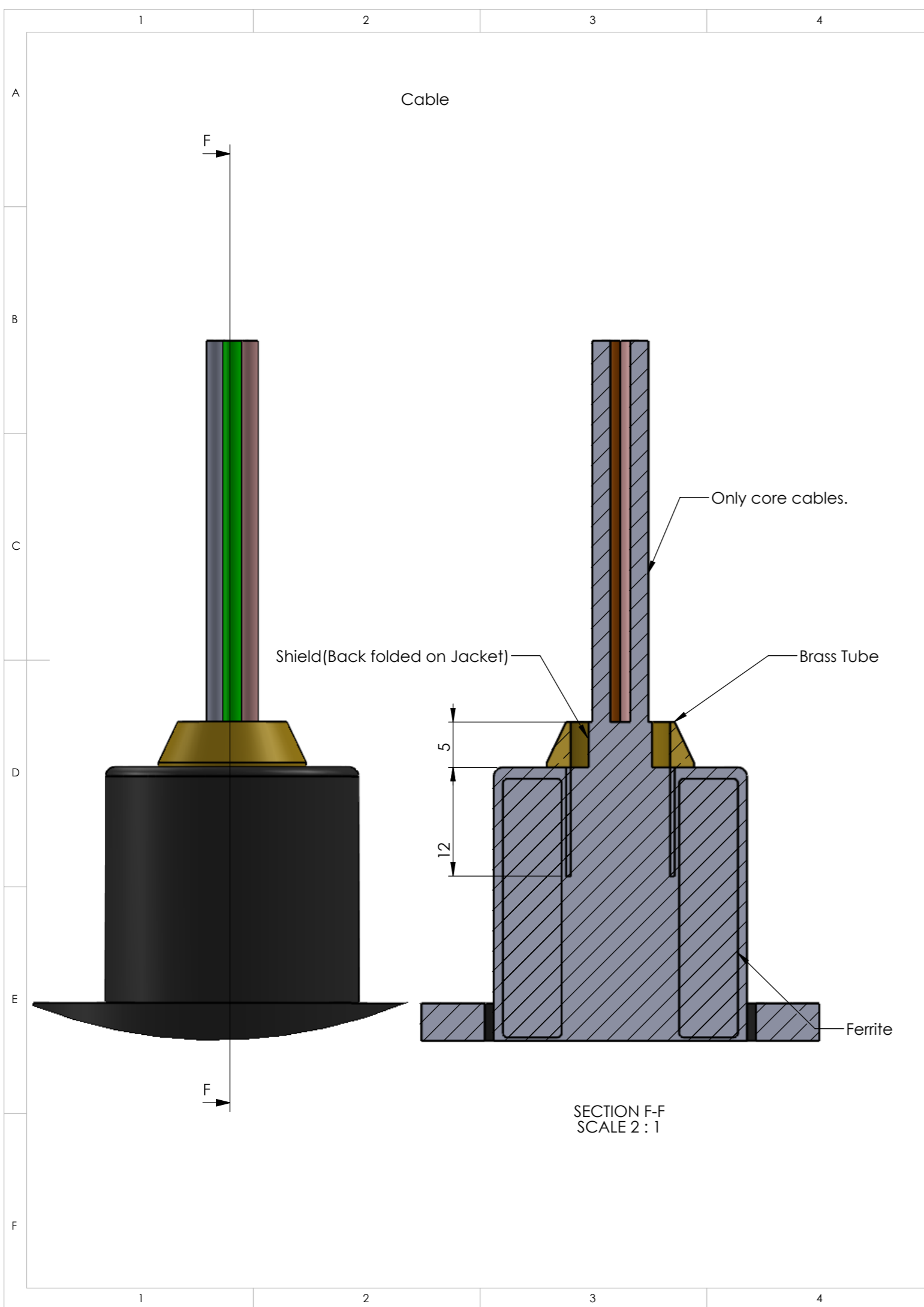
Status change date: 19-03-2015

DWG NO. 64263

SCALE: 1:2 SHEET 2 OF 3

SIZE A3

REV. 1



Material: AEM Shore A 65, or similar  
Color: Black  
UL94V-0

Revision History:		NAME	APP.	DATE	NAME	DATE
REV: 1	Customer updates	hha	hha	19-03-2015	Engineer: llo	27-08-2014
REV: 0		llo			Drawing: LLO	27-08-2014
REV:					Approved: hha	19-03-2015
REV:					UNLESS OTHERWISE SPECIFIED: Dimensions are in millimeters Debur and break sharp edges RoHS compliant (Pb free) Cleaned for chips and oil	
REV:					PROJECTION:	
PROPRIETARY AND CONFIDENTIAL THE INFORMATION CONTAINED IN THIS DRAWING IS THE SOLE PROPERTY OF UNIVERSAL ROBOTS. ANY REPRODUCTION IN PART OR AS A WHOLE WITHOUT THE WRITTEN PERMISSION OF UNIVERSAL ROBOTS IS PROHIBITED		SURFACE FINISH				
		TREATMENT				
		MATERIAL		Material <not specified>		
		WEIGHT		89.64 g		
		TOLERANCE		ISO 2768-1 m		
Replace drawing:		UL class		UL94V-0		

**UNIVERSAL ROBOTS**

TEL: +45 89 93 89 89 FAX: +45 38 79 89 89 WEB: universal-robots.com

TITLE: Cable controller to robot UR3

DATE: 19-03-2015

Status change date: 19-03-2015

DWG NO.: 64263

SCALE: 1:2 SHEET 3 OF 3

REV. 1

SIZE A3