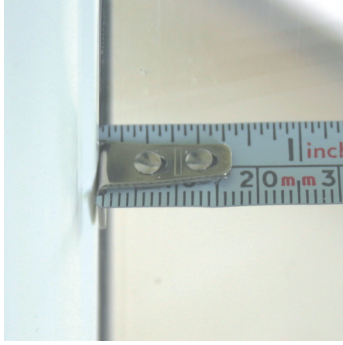




Flush or Recessed Rubber Bead



Measure clear glass width and drop

- min. width: 240mm
- max. width: 1400mm
- max. drop: 2000mm
- max. area: 1.5 sq m

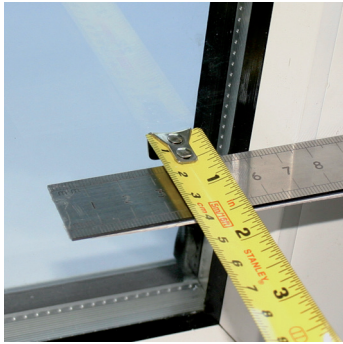
Proud Rubber Bead



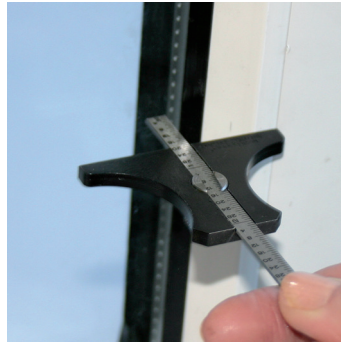
measuring the window

A

Tape Measure



Depth Gauge (TP487)



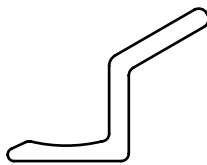
For beads above 27mm use INTU® Screwfit

- bead depth 19 to 27mm: no endcap spacer
- bead depth 15 to 18mm: 1 endcap spacer per side
- bead depth 11 to 14mm: 2 endcap spacers per side
- min. bead depth: 11mm

Ensure windows have suitable rubber bead that accepts fitting of bracket

bead depth

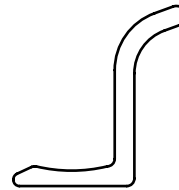
B



Profile A



Profile B



Profile C



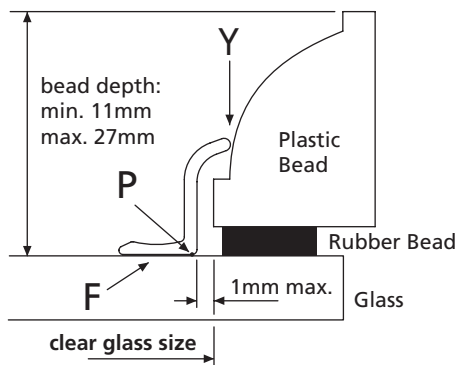
Profile D

All profiles are shown at 2x actual size

side profile

C

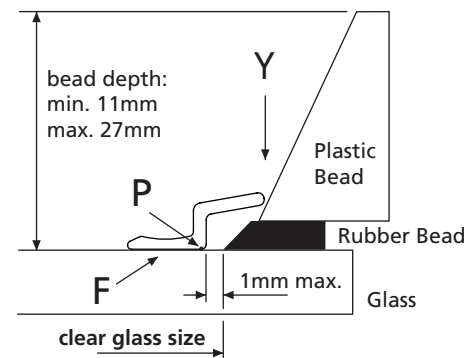
Flush or Recessed Rubber Bead



Select side profile that:-

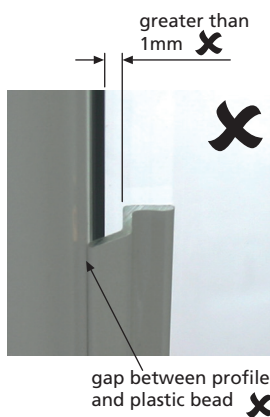
- gives best fit at Y,
- has max. 1mm gap between point P and clear glass size,
- keeps face F flat on glass

Proud Rubber Bead

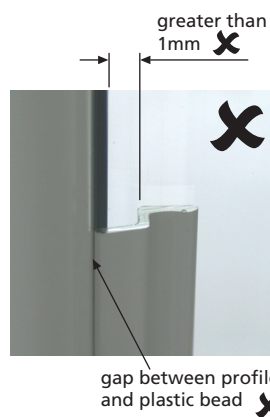


rubber bead

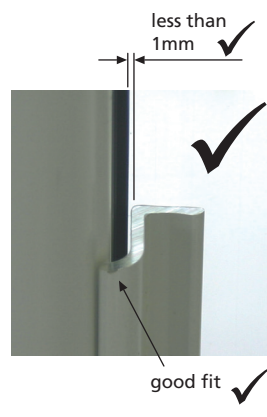
D



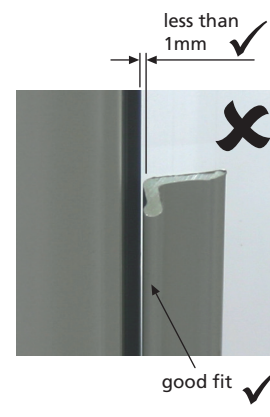
gap between profile and plastic bead X



gap between profile and plastic bead X



good fit ✓



good fit ✓

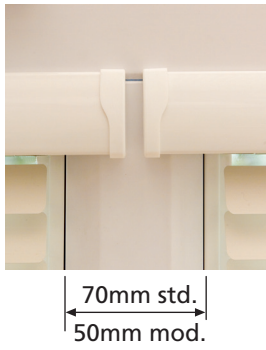
best fit profile

E

Where the gap is greater than 1mm, this size must be deducted from clear glass size (both sides)

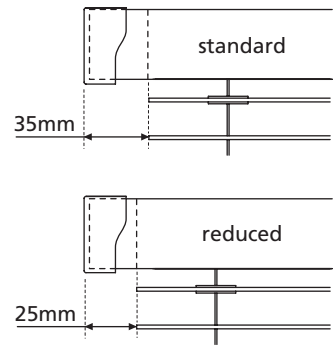
F

special headrail



Reduced Headrail — All Models

- insufficient clearance on window frame or glazing bar will require modified headrails
- reduction will be 10mm per side
- note requirements on order form 'Special Instructions' box



G

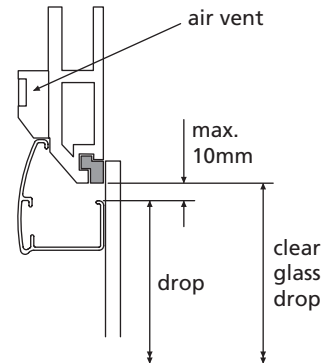
air vents



Air Vents

When headrail may foul air vent or other obstruction, a deduction of up to 10mm can be made from the clear glass drop to clear obstruction

See diagram opposite



H

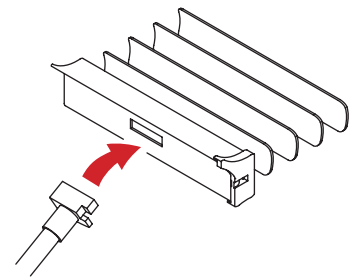
operating rod



Blind Out of Reach — All Models

(for Multizone & Bottom up see below)

- choose 30 or 60cm rod as required
- the rod connector is placed inside the tilt handle (Venetian only)
- bottom rail is slotted for raising/ lowering



I

bottomrail



Bottomrail with integrated handle

All blinds are supplied with bottomrail that has an integrated handle. This moulded handle is simple to use and maintains the stylish appearance of the blind.

J

important

Following the above instructions will ensure that the blind is correctly measured, installed and fully functioning.

If you require further advice or more information on INTU® blinds please call 0141 814 3508 or email info@eclipse-blinds.co.uk

Turnils (UK) Ltd Inchinnan Business Park Renfrew PA4 9RE Scotland UK
Phone: +44 (0) 141 812 3322 Fax: +44 (0) 141 812 5253
www.turnils.com