



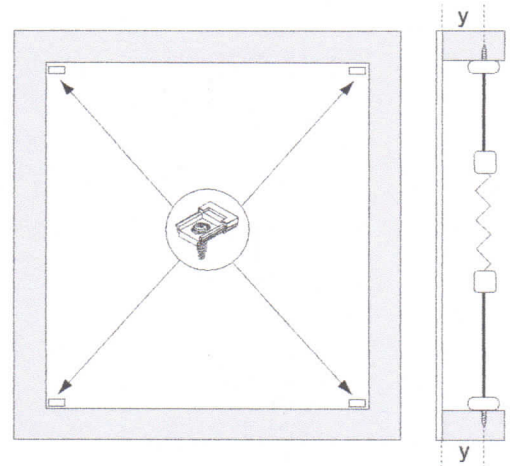
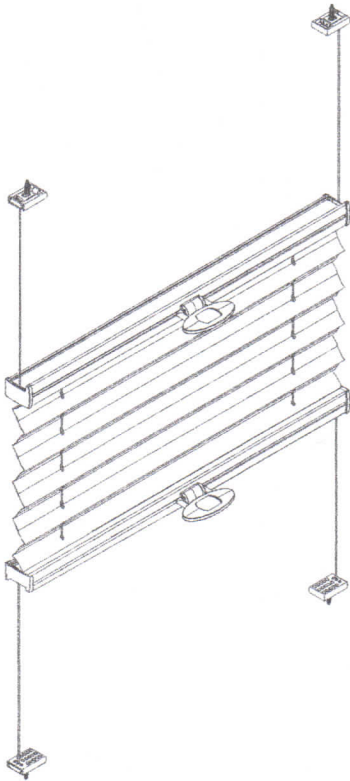
# Installation TopFix / RecessFix [R1]

**Model  
BB24**

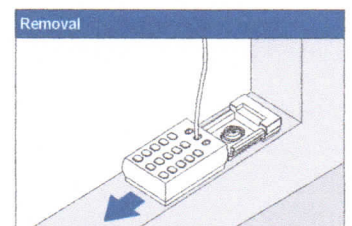
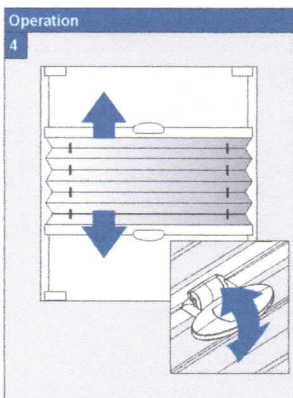
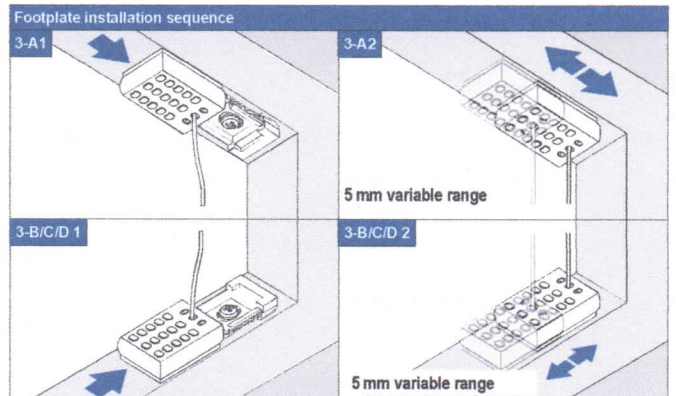
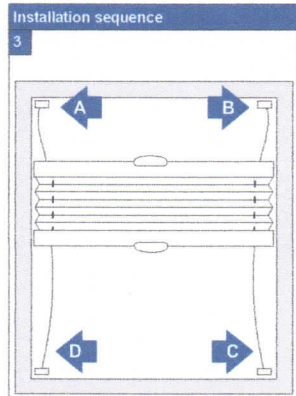
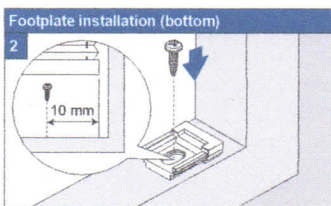
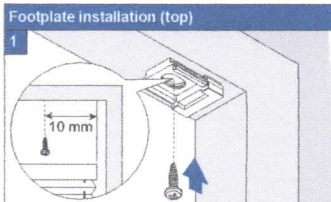
- Do not damage the product when using a sharp knife to open the packaging! Fitting screws: Use a size-2 screwdriver (POZIDRIVE) or use an electric screwdriver at it's lowest torque.
  - Rail removal: Use a flat screwdriver of max. 6 mm wide.
- use the original screws enclosed, to prevent malfunctioning from using too thick screw heads!

Installation and User's manual PB - GB

Product width	Number of parts	
0 - 120 cm	 4	 4



21-03-2014



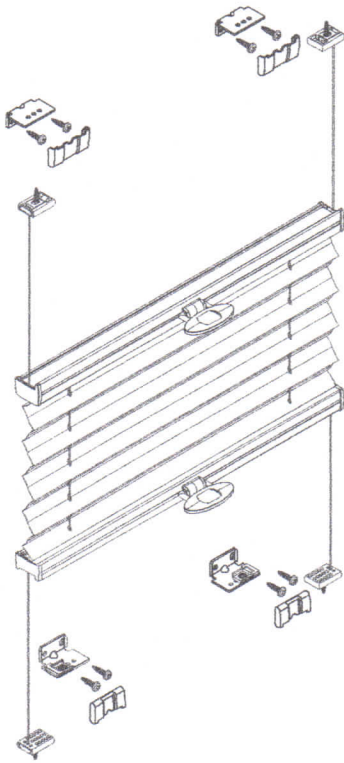
## FaceFix installation to a window frame / wall [F1]

Do not damage the product when using a sharp knife to open the packaging! Fitting screws: Use a size-2 screwdriver (PO-ZIDRIVE) or use an electric screwdriver at it's lowest torque. Rail removal: Use a flat screwdriver of max. 6 mm wide. Only

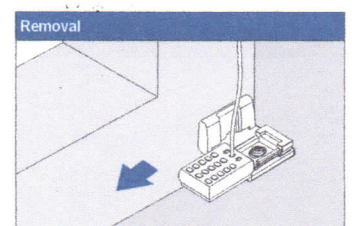
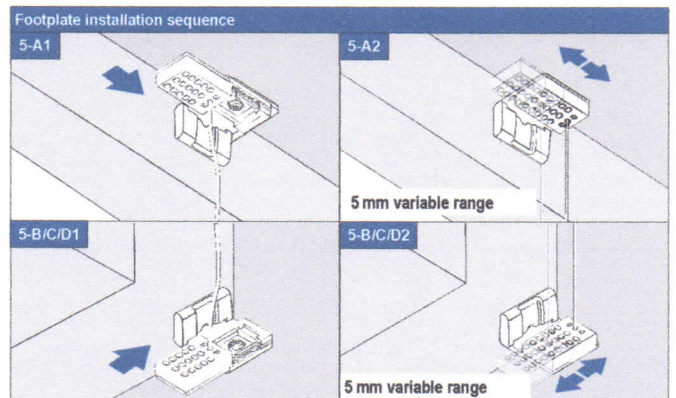
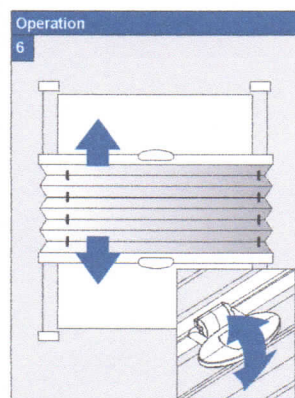
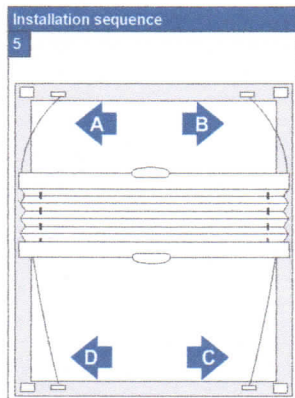
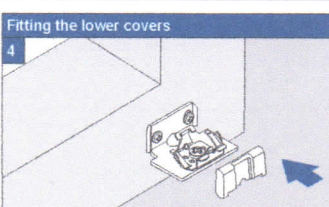
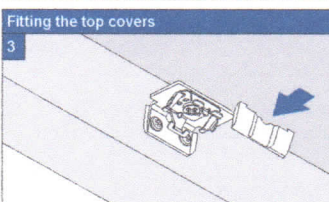
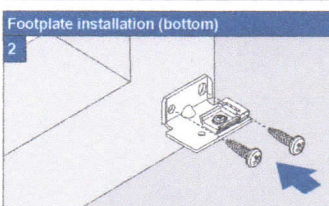
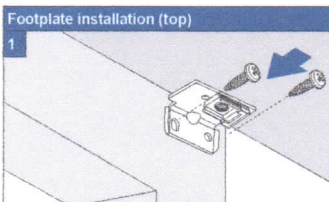
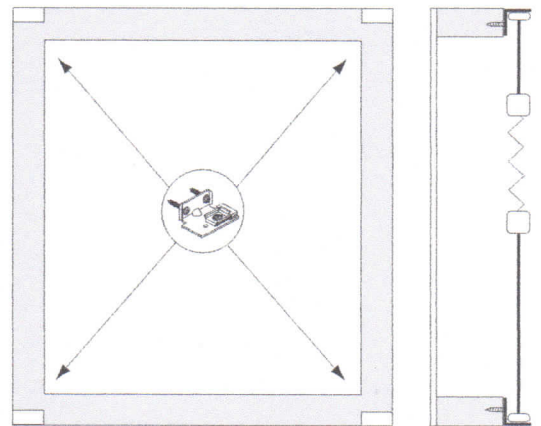
use the original screws enclosed, to prevent malfunctioning from using too thick screw heads!

**Model  
BB24**

Installation and User's manual PB - GB



Product width	Number of parts				
0 - 120 cm					
	4	4	4	8	4



02-10-2015