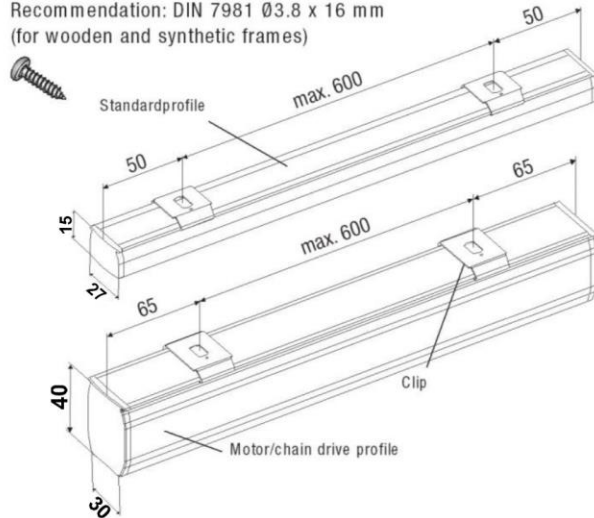


# Flat Roof Blind Fitting Instructions

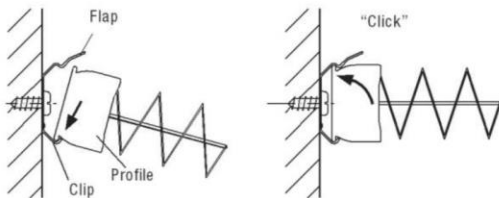
## Mounting

When mounting the standard and motor/chain drive profile make sure that the distance between the clip and the end of the pleated blinds is 50 or 65 mm. Use only one clip per cord and/or drilled hole.

No countersunk screws may be used for fixing.  
Recommendation: DIN 7981 Ø3.8 x 16 mm  
(for wooden and synthetic frames)



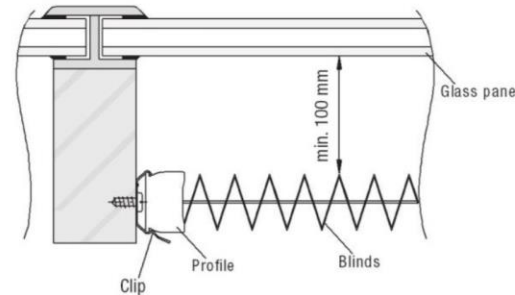
**Installation:** Insert the profile in the upper edge of the clip and press in downwards (until it clicks).



When **dismounting**, push the flap of the clip upwards to be able to take the profile out of the clip.

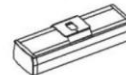
## Mounting

Please ensure that there is a gap of at least 100 mm between the pleated blind and the glass pane to ensure sufficient ventilation. Furthermore, allowance should be made for ventilation gaps. If the air circulation is inadequate, this may lead to heat accumulation and the formation of condensation. We cannot accept any liability for damage to fabric caused by drip water or insect excrement.



## Mounting possibilities

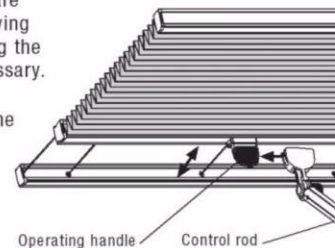
Mounting with clip



## Operation

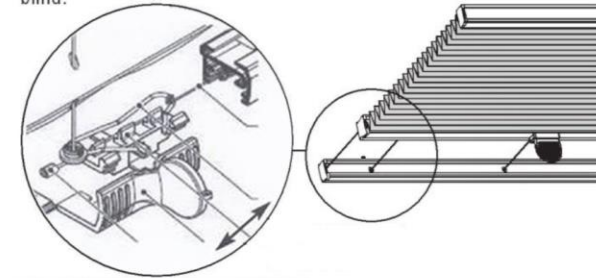
Tensioned pleated blinds are opened and closed by moving the operating handle, using the control rod to help if necessary.

Attach the control rod to the operating handle.



## Tensioning of wire

Final wire tensioning carried out after installation of the pleated blind.



### Adjusting the Cable Tension.

It is easy to adjust the tension using the adjusting handle on the back of the bottom fixed bar. Slide it left or right. One direction will increase the tension and the other will decrease the tension.

Repeat this process for however many tensioners on your blind.

### Fitting of Side Profiles

The side profile do not have pre-drilled holes as we do not know where these need to be in relation to where you fit the blind.

**NOTE:** If your plaster is slightly out it may allow a small amount of light around the side profiles. You may want to use decorators caulk to fill this gap. We do not recommend silicone.

Although we supply basic fixings, these may not be suitable for where you intend to fix the blind. You may need to obtain more suitable fixings yourself.