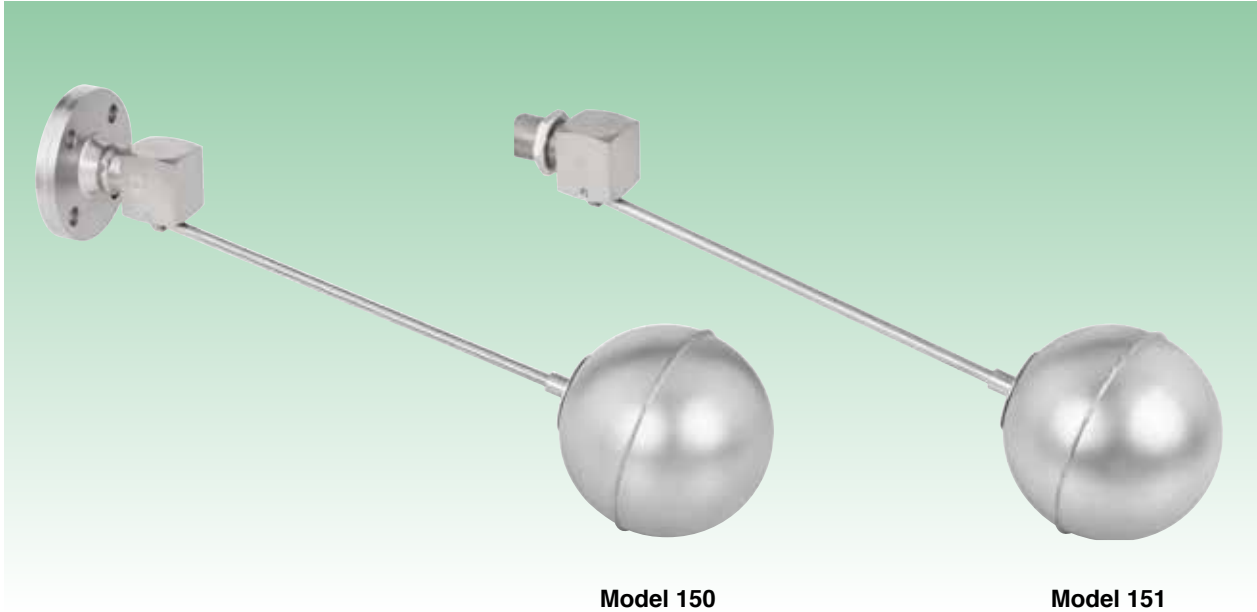


Float valve

Flange connection Model 150
Thread connections Model 151



EN ASME/MNPT ASME/ANSI



Model 150

Model 151

To control the level of liquids in tanks, deposits, etc..

Specifications

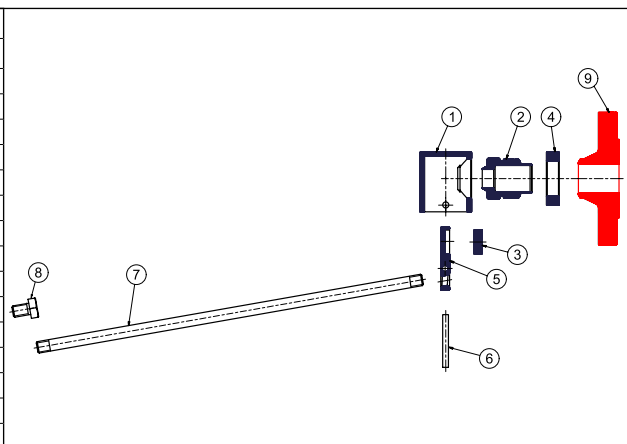
- Simplicity of construction ensuring minimum maintenance.
- Guarantees absolute opening and closing precision.
- Materials carefully selected for their resistance to corrosion.
- Fully constructed from laminated bars.
- All valves undergo thorough testing.
- Each component is numbered, registered and inspected. If previously requested, the valve will be accompanied by certificates corresponding to materials, batch, tests and performance.

IMPORTANT

Depending on demand:

- Fluorelastomer closure (Viton), etc.
- Buoy with coating of Epoxy, PTFE (Teflón), Chemical nickel, Shining smooth, etc.
- Entirely Stainless steel (EN-1.4571).
- Entirely Stainless steel (EN-1.4301), etc.

N°. PIECE	PIECE	MATERIAL		
		STAINLESS STEEL		
1	Body	Stainless steel (EN-1.4401)		
2	Coupling	Stainless steel (EN-1.4401)		
3	Closure	Silicone's rubber		
4	Nut	Stainless steel (EN-1.4401)		
5	Lever	Stainless steel (EN-1.4408)		
6	Pin	Stainless steel (EN-1.4401)		
7	Stem	Stainless steel (EN-1.4401)		
8	Connector	Stainless steel (EN-1.4401)		
9	Flange	Stainless steel (EN-1.4401)		
	R	3/8" to 2 1/2"		
	MNPT	3/8" to 2 1/2"		
	DN	15 to 65		
OPERATING CONDITIONS	PRESSURE IN bar	16	15	14
	MAXIMUM TEMP. IN °C	120	180	200
	MINIMUM TEMP. IN °C		-60	



Closure pressure

The closure pressure of the valve will vary with relation to the specific weight of the liquid being controlled according to the following formula:

$$P = \frac{p}{p_a} Pa$$

P = Closure pressure liquid.
p = Specific weight liquid.

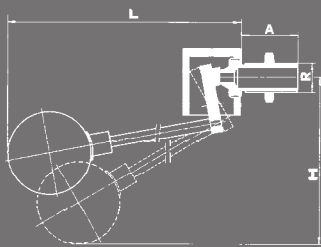
Pa = Closure pressure water.
pa = Specific weight water.

DN	Flange PN-16 EN-1092-1		PRESSURE bar																															
R	Flange class 150 lbs ASME B16.5		0,5	1	0,5	2	0,5	3	0,5	4	0,5	5	0,5	6	0,5	7	0,5	8	0,5	9	0,5	10	0,5	11	0,5	12	0,5	13	0,5	14	0,5	15	0,5	16
MNPT	Whitworth gas-tight male thread cylindrical ISO 228/1 de 1978 (DIN-259)																																	
R1	Male thread NPT ASME B1.20.1																																	
	Whitworth gas-tight male thread cylindrical ISO 228/1 de 1978 (DIN-259)																																	
	D	K	REDUCED PITCH Ø																															
	J	B	A																															
	NUM. OF DRILL HOLES																																	
3/8"			6	31	BUOY	C Ø60x120	E. Ø90	E. Ø110														P.Ø150x60												
					L	396	366	386														428												
					H	215	210	225														222												
					WEIGHT IN kgs.	0,38	0,41	0,50														0,60												
					CODE 151	2008-151.3382																2008-151.3382 (+) 34005												
					FLOW l/h 20°	1058	1560	1780	2027	2270	2482	2603	2640	2794	2880	2970	3120	3250	3380	3510	3614													
15	EN-1092-1	ASME B16.5	10	35	BUOY	C Ø60x120	E. Ø90	E. Ø110	P. Ø150x60	E. Ø150																								
	95	90			L	434	404	424	420	413																								
	65	60,3			H	252	245	260		267																								
	14	15,9			WEIGHT IN kgs.	0,53 / 1,31	0,56 / 1,31	0,64 / 1,42	0,90 / 1,68	0,84 / 1,62																								
	16	11,2			CODE 150	2008-150.30221 (+) 34005		2008-150.30221		2008-150.30222																								
	16	11,2			CODE 151	2008-151.30221 (+) 34005		2008-151.30221		2008-151.30222																								
3/4"	4	4		51	FLOW l/h 20°	2644	3738	4575	5287	5640	6346	7385	7457	7931	8354	8674	9051	9425																
20	EN-1092-1	ASME B16.5	12,5	40	BUOY	E. Ø90	E. Ø110	P. Ø150x60	E. Ø150																									
	105	100			L	450	469	509	507																									
	75	69,9			H	240	255	250	282																									
	14	15,9			WEIGHT IN kgs.	1,04 / 2,04	1,12 / 2,12	1,27 / 2,27	1,32 / 2,32																									
	18	12,7			CODE 150	2008-150.3342																												
	18	12,7			CODE 151	2008-151.3342																												
1"	4	4		53	FLOW l/h 20°	6480	9270	11352	13148	14667	16044	17363	18369	19398	20510																			
25	EN-1092-1	ASME B16.5	16	45	BUOY	E. Ø110	P. Ø250x80	E. Ø150	E. Ø150	P. Ø 250x95																								
	115	110			L	475	507	565	510	615	732																							
	85	79,4			H	257	250	275	285	327	350																							
	14	15,9			WEIGHT IN kgs.	1,20 / 2,54	1,34 / 2,68	1,48 / 2,82	1,38 / 2,72	1,25 / 2,59	1,77 / 3,11																							
	18	14,3			CODE 150	2008-150.31021				2008-150.31022																								
	18	14,3			CODE 151	2008-151.31021				2008-151.31022																								
1 1/4"	4	4		59	FLOW l/h 20°	6480	9270	11352	13148	14667	16044	17363	18369	19398	20510																			
32	EN-1092-1	ASME B16.5	21	50	BUOY	E. Ø150	P. Ø250x95	E. Ø200		P. Ø300x15																								
	140	115			L	637	737	680		787																								
	100	88,9			H	317	327	355		350																								
	18	15,9			WEIGHT IN kgs.	1,82 / 3,82	2,21 / 4,21	1,95 / 3,95		2,72 / 4,72																								
	18	15,9			CODE 150	2008-150.31421				2008-150.31422																								
	18	15,9			CODE 151	2008-151.31421				2008-151.31422																								
1 1/2"	4	4		58,5	FLOW l/h 20°	11508	16226	19925	23016	25663	28080	30382	32204	34136	36040																			
40	EN-1092-1	ASME B16.5	24	57	BUOY	P. Ø250x95	E. Ø200	P. Ø300x115		P. Ø350x130 ó E. Ø300																								
	150	125			L	660	610	710		760 ó 710																								
	110	98,4			H	285	315	310		330 ó 385																								
	18	15,9			WEIGHT IN kgs.	2,60 / 4,8	2,57 / 4,77	3,11 / 3,31		3,25 ó 3,30 / 5,45 ó 5,50																								
	18	17,5			CODE 150	2008-150.3121				2008-150.3122																								
	18	17,5			CODE 151	2008-151.3121				2008-151.3122																								
1 1/2"	4	4		61,5	FLOW l/h 20°	14548	20512	25167	29070	32442	35362	38544	42216	46089	50200																			
50	EN-1092-1	ASME B16.5	29	60	BUOY	E. Ø200	P. Ø300x115		P. Ø350x130		E. Ø300																							
	185	150			L	677	777		827		777																							
	125	120,7			H	410	417		440		485																							
	18	19,1			WEIGHT IN kgs.	3,86 / 6,54	4,39 / 7,07		4,81 / 7,49		4,87 / 7,55																							
	18	19,1			CODE 150	2008-150.3202																												
	18	19,1			CODE 151	2008-151.3202																												
2 1/2"	4	4		63,5	FLOW l/h 20°	22136	31648	38296	44273	49364	54010	58439	63114	68030	72792																			
65	EN-1092-1	ASME B16.5	40	79	BUOY	E. Ø200	P. Ø300x115	P. Ø350x130 ó E. Ø300																										
	185	180			L	704	804	845 or 804																										
	145	139,7			H	420	427	450 or 490																										
	18	19,1			WEIGHT IN kgs.	6,52 / 9,72	7,30 / 14,2	7,72 or 7,50 / 14,2 or 14,1																										
	18	22,3			CODE 150	2008-150.3222																												
	18	22,3			CODE 151	2008-151.3222																												
3"	8	4		67,5	FLOW l/h 20°	36015	50138	61128	70615	78342																								

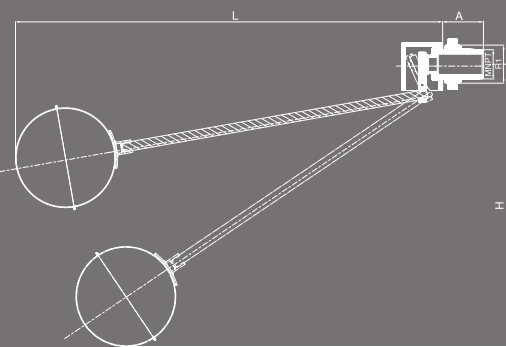
IMPORTANT

- C. - Cylindrical buoy.
- E. - Spherical buoy.
- P. - Flat buoy.

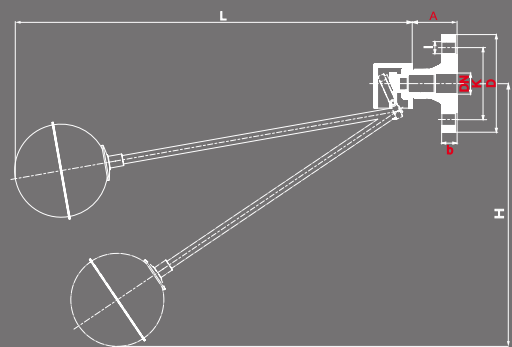
- Use the relevant code for the buoy, according to brochure
- Model 152.
- Buoys suitable for higher pressure are also suitable for use at lower pressure.
- **CODE 150** ANSI 150# add 1 to code.
- **CODE 151** NPT add 1 to code.



Mod. 151



Mod. 151



Mod. 150