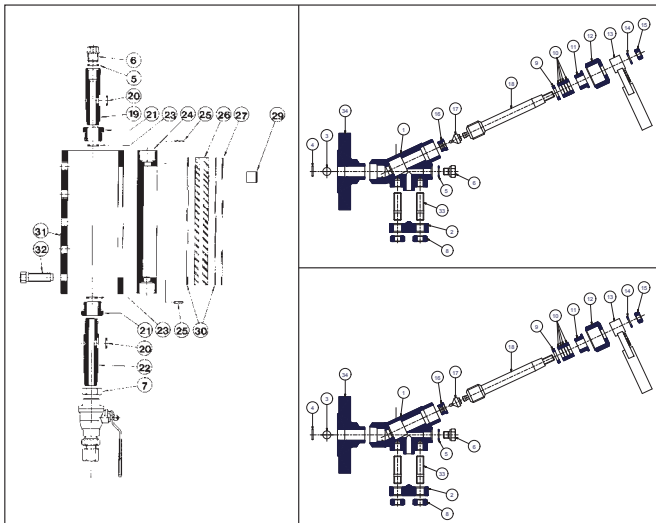
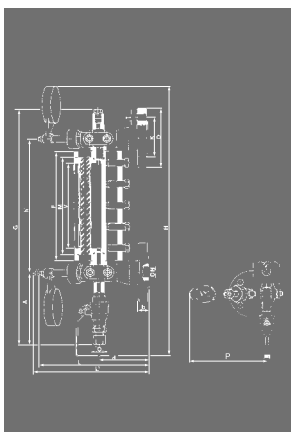


Nº. PIECE	PIECE	MATERIAL																	
		CAST STEEL						CAST STEEL						STAINLESS STEEL					
1	Body	Cast steel (EN-1.0619)						Cast steel (EN-1.0619)						S. steel (EN-1.4408)					
2	Flange	Cast steel (EN-1.0619)						Cast steel (EN-1.0619)						S. steel (EN-1.4408)					
3	Safety ball	S. steel (EN-1.4401)						S. steel (EN-1.4401)						S. steel (EN-1.4401)					
4	Safety ring	S. steel (EN-1.4310)						S. steel (EN-1.4310)						S. steel (EN-1.4310)					
5/23	Coupling	Aluminium / Copper						Aluminium / Copper						PTFE (Teflón)					
6	Screw	Carbon steel (EN-1.1151)						Carbon steel (EN-1.1151)						S. steel (EN-1.4401)					
7	Cap	Carbon steel (EN-1.1191)						Carbon steel (EN-1.1191)						S. steel (EN-1.4401)					
8/15	Nut	Carbon steel (EN-1.1141)						Carbon steel (EN-1.1141)						S. steel (EN-1.4401)					
9	Ring	S. steel (EN-1.4401)						S. steel (EN-1.4401)						S. steel (EN-1.4401)					
10	Seal	Graphite						Graphite						PTFE (Teflón)					
11	Gland	Carbon steel (EN-1.1191)						Carbon steel (EN-1.1191)						S. steel (EN-1.4401)					
12	Gland nut	Carbon steel (EN-1.1191)						Carbon steel (EN-1.1191)						S. steel (EN-1.4401)					
13	Lever	Nodular iron (EN-5.3106)						Nodular iron (EN-5.3106)						Nodular iron (EN-5.3106)					
14	Washer	Carbon steel (EN-1.1141)						Carbon steel (EN-1.1141)						S. steel (EN-1.4401)					
16	Seating	S. steel (EN-1.4028)						S. steel (EN-1.4028)						S. steel (EN-1.4401)					
17	Seal	S. steel (EN-1.4401)						S. steel (EN-1.4401)						S. steel (EN-1.4401)					
18	Shaft	S. steel (EN-1.4028)						S. steel (EN-1.4028)						S. steel (EN-1.4401)					
19	Upper dowel	Carbon steel (EN-1.1191)						Carbon steel (EN-1.1191)						S. steel (EN-1.4401)					
20	Coupling	Copper						Copper						PTFE (Teflón)					
21	Double screw	Carbon steel (EN-1.1191)						Carbon steel (EN-1.1191)						S. steel (EN-1.4401)					
22	Lower dowel	Carbon steel (EN-1.1191)						Carbon steel (EN-1.1191)						S. steel (EN-1.4401)					
24	Box	Carbon steel (EN-1.1191)						Carbon steel (EN-1.1191)						S. steel (EN-1.4401)					
25	Gudgeon	Carbon steel (EN-1.1231)						Carbon steel (EN-1.1231)						S. steel (EN-1.4310)					
26	Viewer	Boron-Silicate						Boron-Silicate						Boron-Silicate					
27	Reglet	S. steel (EN-1.4401)						S. steel (EN-1.4401)						S. steel (EN-1.4401)					
29	Indicator arrow	Aluminium						Aluminium						Aluminium					
30	Coupling	Klingerit cardboard / Graphite						Klingerit cardboard / Graphite						Klingerit cardboard / Graphite					
31	Body	Carbon steel (EN-1.0570)						Carbon steel (EN-1.0570)						S. steel (EN-1.4408)					
32	Screw	Carbon steel (EN-1.1191)						Carbon steel (EN-1.1191)						S. steel (EN-1.4401)					
33	Stud	Carbon steel (EN-1.1181)						Carbon steel (EN-1.1181)						S. steel (EN-1.4401)					
34	Flange	Carbon steel (EN-1.0460)						Carbon steel (EN-1.0460)						S. steel (EN-1.4401)					
DN		20 and 25																	
PN		16						40						40					
OPERATING CONDITIONS	MAX. PRESSURE IN bar	16	14,8	13,3	12,1	10,2	9,5	40	37,1	33,3	30,4	25,7	23,8	40	40	33,7	31,8	28,5	27,4
	MAX. TEMP. IN °C	*RT	100	200	250	350	400	*RT	100	200	250	350	400	*RT	100	200	250	350	400

*Room Temperature (-10 °C a 50 °C)



LEVEL GAUGE	UPPER								LOWER								
	DN		20		25		20		25		20		25				
NPS	3/4"		1"		1"		3/4"		1"		3/4"		1"				
A	-		-		-		127		127		127		127				
L	165		88		88		165		88		165		88				
L1	180		182,50		180		180		182,50		180		182,50				
P	185		85		85		185		85		185		85				
d	83		85,50		83		83		85,50		83		85,50				
O	-		-		-		12		12		12		12				
CONNECTION	EN 1092-1 PN-16/40	105	75	14	18	115	85	14	18	105	75	14	18	115	85	14	18
	ASME/ANSI B16.5 150 lbs	100	69,90	15,90	13,20	110	79,40	15,90	14,70	100	69,90	15,90	13,20	110	79,40	15,90	14,70
	ASME/ANSI B16.5 300 lbs	115	82,60	19,10	16,30	125	88,90	19,10	17,90	115	82,60	19,10	16,30	125	88,90	19,10	17,90
REDUCED PITCH Ø	15		15		15		15		15		15		15				
DRILLS N°	4		4		4		4		4		4		4				
WEIGHT IN Kgs.	CAST STEEL		2,30		2,53		2,30		2,53		2,30		2,53				
CODE 2101-466.	CAST STEEL PN-16		5344		5104		5344		5104		5344		5104				
	CAST STEEL PN-40		8344		8104		8344		8104		8344		8104				
	ST STEEL PN-40		8342		8102		8342		8102		8342		8102				
	CAST STEEL 150#		53441		51041		53441		51041		53441		51041				
	CAST STEEL 300#		83442		81042		83442		81042		83442		81042				
	ST STEEL 150#		83421		81021		83421		81021		83421		81021				
	ST STEEL 300#		83422		81022		83422		81022		83422		81022				



Nº. LEVEL INDICATOR BOX	0	I	II	III	IV	V	VI	VII	VIII	IX	X
h ¹	160	180	205	230	255	285	320	345	385	405	435
V	75	95	120	145	170	200	230	260	300	320	350
M	95	115	140	165	190	220	250	280	320	340	370
F	115	135	160	185	210	240	275	300	340	360	390
G	337	357	382	407	432	462	497	522	562	582	612
H	413	433	458	483	508	538	573	598	638	658	688
WEIGHT IN Kgs.	CARBON STEEL. PN-16	2,84	3,30	3,89	4,40	4,97	5,59	6,20	6,79	7,40	8,40
	CARBON STEEL. PN-40	2,84	3,30	3,89	4,40	4,97	5,59	6,20	6,79	7,40	8,40
	STAINLESS STEEL. PN-40	2,98	3,39	4,05	4,46	5,11	5,80	6,60	7,00	7,80	8,40
CODE 2101-166.	CARBON STEEL. PN-16	51840	51841	51842	51843	51844	51845	51846	51847	51848	51849
	CARBON STEEL. PN-40	81840	81841	81842	81843	81844	81845	81846	81847	81848	81849
	STAINLESS STEEL. PN-40	81820	81821	81822	81823	81824	81825	81826	81827	81828	81829