

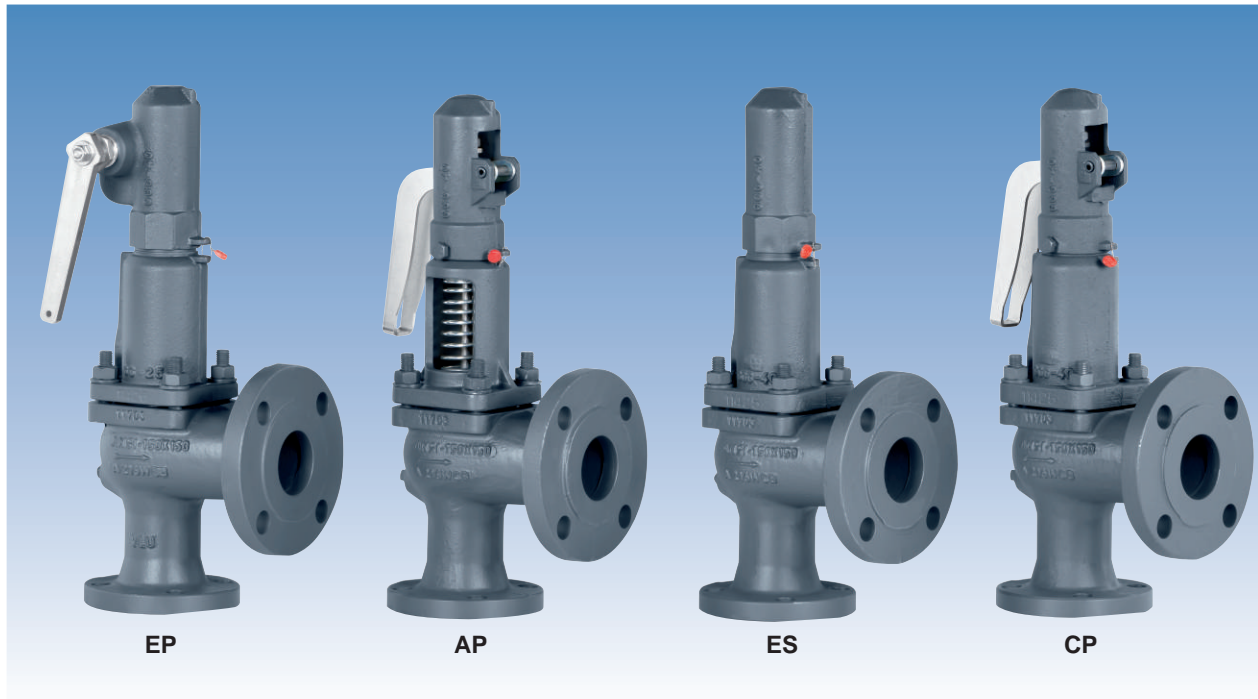
Full lift safety valve with spring loading.(AIT)

Model 486



ASME

Catalog available in International System Units (SI) in PDF format.



The valve works as an automatic pressure releasing regulator activated by the static pressure existing at the entrance to the valve and is characterized by its ability to open instantly and totally.

Design in accordance with "ASME code section VIII".

Materials according ASME code section II and ASTM. Connections according ASME/ANSI B16.5-2009 standard. Center to face dimensions according API-526.

In accordance with the requirements of directive 97/23/EC.

EC valve verification certified by: TÜV Internacional Grupo TÜV Rheinland, S.L. EC 0035.

Type (Module D) EC examination report n° 33530455 certified by: TÜV Internacional Grupo TÜV Rheinland, S.L.

In compliance with the ATEX 94/9/CE directive "Protective equipment and systems for use in potentially explosive atmospheres".

Other authorisations: ISCIR, ITI, NASTHOL,...etc.

Specifications

- 90° angular flow.
- Activated by direct action helicoid spring.
- Simplicity of construction ensuring minimum maintenance.
- Materials carefully selected for their resistance to corrosion. With the exception of washers and couplings, the valves are free of non-ferric materials.
- Internal body designed to offer favourable flow profile.
- Sealing surfaces treated and balanced, making them extremely tightness, even exceeding API-527 requirements.
- Great discharge capacity. For liquids typically used with openings similar to proportional safety valves.
- Equipped with draining screws for removing condensation.
- Auto-centering plug.
- Threaded shaft with lever positioner facilitating immediate manual action.
- Elevator, independent of the seal, designed facilitate sudden opening when the steam expands and, with any fluid, guarantees absolute opening and closing precision.
- All the valves are supplied sealed at the set pressure requested, simulating operational conditions, and are vigorously tested.
- All components are numbered, registered and checked. If requested in advance, material, casting, test and efficiency certificates will be enclosed with the valve, and the instruction manual, in accordance with P.E.D.97/23 EC.

IMPORTANT

Depending on demand:

- 1.- Blocking screw which facilitates hydrostatic testing of the container which to be protected.
- 2.- Rapid limiter to reduce the coefficient of discharge.
- 3.- Fluorelastomer (Vitón) seals, Silicone's rubber, PTFE (Teflón)... etc., achieving leakage levels less than

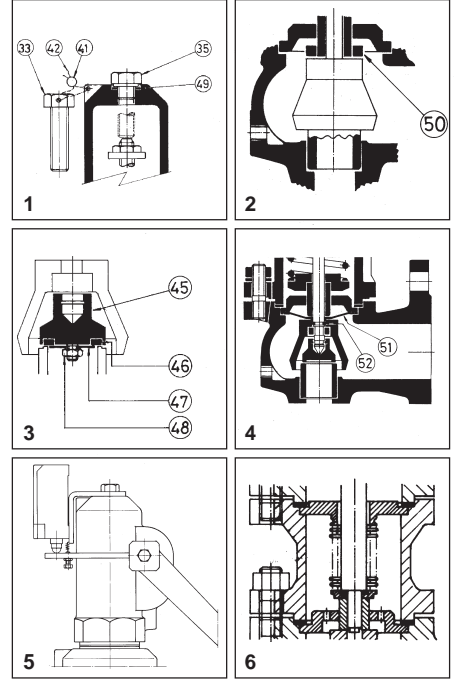
$$0,2 \times 10^{-8} \frac{\text{psi in}^3}{\text{seg.}}$$

The ranges of application allow certain flexibility although we recommend limiting them to:

RANGE OF APPLICATION FOR THE SEALS						
FLUID	SET PRESSURE IN psi					
	2,90	26,11	58,02	69,62	101,53	435,11 580,15
Saturated steam	S	V			T	
Liquids and gases	S		V		T	
SEALS	TEMPERATURE IN °F					
		ACCORDING TO MANUFACTURERS			RECOMMENDED BY VYC	
		MINIMUM	MAXIMUM	MINIMUM	MAXIMUM	MAXIMUM
Silicone's rubber	S	-76	+392	-58	+239	
Fluorelastomer (Vitón)	V	-40	+482	-22	+302	
PTFE (Teflón)	T	-445	+500	-112	+446 (1)	

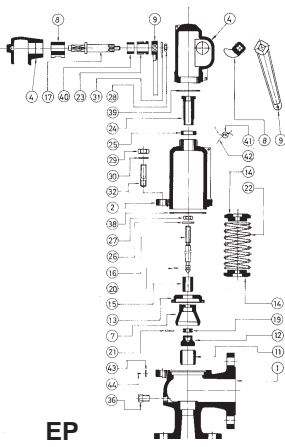
(1) For temperatures exceeding 446°F apply metallic seal only

- 4.- Flourelastomer (Vitón) membrane and O-ring isolating the rotating or sliding parts from the working fluid.
- 5.- Electrical contact indicating open/closed.
- 6.- Balance bellows to:
 - Protect the spring from atmospheric influences.
 - Ensure outside of valve body is totally tightness.
 - Level out external or self-generated back pressure.
- 7.- Possibility of manufacture in other types of material, for special operating conditions (high temperatures, fluids, etc.).
- 8.- Totally free of oil and grease, to work with oxygen, avoiding possible fire risks (UV-Oxygen-VBG 62).
- 9.- Special springs for critical temperatures.



Nº. PIECE	PIECE	MATERIAL										
		CAST STEEL					STAINLESS STEEL					
1	Body	ASTM A216 - WCB					ASTM A351 - CF8M					
2	Closed bell	ASTM A536 65 - 45 - 12					ASTM A351 - CF8M					
3	Open bell	ASTM A216 - WCB					ASTM A351 - CF8M					
4, 5, 6	Hood	ASTM A536 65 - 45 - 12					ASTM A351 - CF8M					
7	Elevator	ASTM A536 65 - 45 - 12 (1)					ASTM A351 - CF8M (7)					
8	Cam	ASTM A570-36 (6)					AISI 304					
9, 10	Lever	ASTM A570 - 36					ASTM A570 - 36					
11	Seating	AISI 420					AISI 630					
12	Plug	AISI 420					AISI 630					
13	Lead	AISI 420 (4)					AISI 316 (5)					
14	Spring press	AISI 1045					AISI 303					
15	Separator	AISI 420					AISI 316					
16	Rod	AISI 420					AISI 316					
17	Lever shaft	AISI 1045					AISI 303					
18	Gudgeon	AISI 1070					AISI 301					
19	Ring	AISI 420					AISI 316					
20, 21	Safety ring	AISI 301					AISI 301					
22	Spring	AISI 6150(2)					AISI 301(3)					
23	Gland	AISI 1045					AISI 303					
24	Hollow screw	AISI 303					AISI 303					
25	Hollow screw nut	AISI 303					AISI 303					
26	Buffer nut	AISI 303					AISI 303					
27	Rod check nut	AISI 1015					AISI 316					
28, 29, 48	Nut	AISI 1015					AISI 316					
30, 31	Washer	AISI 1015					AISI 316					
32	Stud	AISI 1035					AISI 316					
33, 34, 35	Screw	AISI 1045					AISI 316					
36	Cap	AISI 1035					AISI 316					
38	Coupling	Graphite					PTFE (Teflon)					
39	Coupling	PTFE (Teflon)					PTFE (Teflon)					
40	Seal	Graphite					PTFE (Teflon)					
41	Seal	Plastic					Plastic					
42	Sealing wire	Sealing wire					Sealing wire					
43	Characteristic plate	AISI 304					AISI 304					
45	Plug	AISI 316					AISI 316					
46	Sealing disk	PTFE (Teflon)					PTFE (Teflon)					
		Silicone's rubber					Silicone's rubber					
		Fluorelastomer (Vitón)					Fluorelastomer (Vitón)					
47	Washer	AISI 316					AISI 316					
49	Coupling	Copper					PTFE (Teflon)					
50	Limiter	AISI 420					AISI 316					
51	Membrane	Fluorelastomer (Vitón)					Fluorelastomer (Vitón)					
52	O-ring	Fluorelastomer (Vitón)					Fluorelastomer (Vitón)					
NPS ₁ x NPS ₂		1"x2" a 8"x10"										
Class		150 lbs					150 lbs					
OPERATING CONDITIONS	PRESSURE IN psi	245,11	200,15	175,50	147,94	121,83	94,27	80	226,84	198,70	147,94	66,72
	MAX. TEMP. IN °F	248	392	482	572	662	752	800	248	392	572	842
	MIN. TEMP. IN °F	-20,2					-20,2					
Class		300 lbs					300 lbs					
OPERATING CONDITIONS	PRESSURE IN psi	667,17	635,27	607,71	577,25	545,34	503,28	410	590,59	517,79	458,32	417,70
	MAX. TEMP. IN °F	248	392	482	572	662	752	800	248	392	572	842
	MIN. TEMP. IN °F	-20,2					-20,2					

(1) 1"x2" in stainless steel (ASTM A351 CF8M).
 (2) Spring steel (ASTM A228) for wire spring Ø ≤ 0.4 in. Maximum temperature EP ES and CP 482°F / AP 752°F.
 (3) Vanadium chrome steel (AISI 6150) for wire spring Ø > 0.4 in.
 (4) 8" x 10" in Stainless steel (ASTM A743 CA40F).
 (5) 8" x 10" in Stainless steel (ASTM A351 CF8M).
 (6) 1"x2" in Stainless steel (AISI 304).
 (7) 11/2"x2" to 4"x 6" L in Stainless steel (AISI 316)



EP

Full lift safety valve with spring loading (AIT) model 486 - AP and CP.

1. Disassembly and assembly.

1.1 Disassembly.

To replace the spring (22) or clean any of the internal components of the valve, proceed in the following manner:

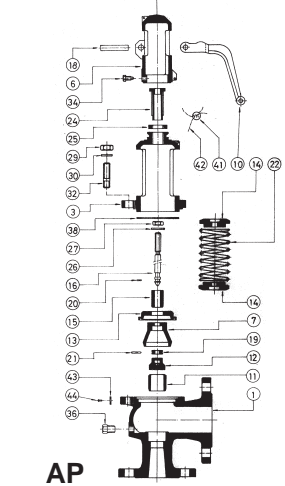
- A - Withdraw the clip (18), using a punching tool, until the lever (10) comes free.
- B - Loosen the screws (34) and take the cap (6) off.
- C - Holding the spindle (16) steady, loosen the hollow screw nut (25) and the hollow screw (24) until you note a releasing of the spring (22).
- D - Mark on the spindle (16) the position of the spindle lock-nut (27) and the adjusting nut (26). Loosen them and remove them.
- E - Unscrew the nuts (29) and remove them, together with the studs (32) and their washers (30).
- F - Lift the cover (3) or (2) and you will have access to all of the components.

1.2 Assembly.

- A - Place the safety-ring (20) on the spindle (16) and press it against the gasket (12).
- B - In the spindle channel (16) connect the ring (19) and fix it to the security-ring (21). Introduce the elevator (7) into the upper part of the spindle (16) and press this against the previously described pieces.
- C - Enter the guide (13), the separator (15), the spring-press (14), the spring (22), the spring-press (14) through the upper part of the spindle (16) and press this against the previously described pieces.
- D - Replace the assembly (38) and the cover (3) or (2).
- E - Place the washers (30) on the studs (32) and make up the nuts (29) diagonally, checking the correct alignment of the cover (3) or (2).
- F - Adjust the firing pressure with the hollow screw (24) and fix the adjustment position with the hollow screw nut (25).
- G - Turn the spindle lock-nut (27) and the adjusting nut (26) to the position marked (see 1.1.D) and make up against each other.
- H - Introduce the cap (6) and tighten the screws (34).
- I - Place the lever (10) and fix it with the fastener (18).

2. Adjusting the firing pressure.

- A - Proceed according to points 1.1.A, 1.1.B, 1.1.C.
- B - Proceed according to points 1.2.F, 1.2.H, 1.2.I.



AP

Full lift safety valve with spring loading (AIT) model 486 - EP.

1. Disassembly and assembly .

1.1 Disassembly.

To replace the spring (22), or clean any of the internal components of the valve, proceed in the following manner:

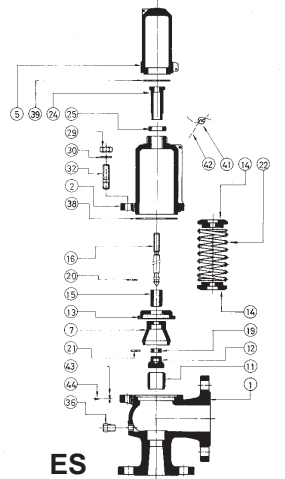
- A - Move the lever (9) in direction C as far as the constructive catcher.
- B - Unscrew the cap (4) and remove.
- C - Holding the spindle (16) steady, loosen the hollow screw nut (25) and the hollow screw (24) until you note a releasing of the spring (22).
- D - Mark on the spindle (16) the position of the spindle lock-nut (27) and the adjusting nut (26). Loosen them and remove them.
- E - Unscrew the nuts (29) and remove them, together with the studs (32) and their washers (30).
- F - Lift the cover (2) and you will have access to all of the components.

1.2 Assembly.

- A - Place the safety-ring (20) on the spindle (16) and press it against the gasket (12).
- B - In the spindle channel (16) connect the ring (19) and fix it to the security-ring (21). Introduce the elevator (7) into the upper part of the spindle (16) and press this against the previously described pieces.
- C - Enter the guide (13), the separator (15), the spring-press (14), the spring (22), the spring-press (14) through the upper part of the spindle (16) in a correlative manner.
- D - Replace the assembly (38) and the cover (2).
- E - Place the washers (30) on the studs (32) and make up the nuts (29) diagonally, checking the correct alignment of the cover (2).
- F - Adjust the firing pressure with the hollow screw (24) and fix the adjustment position with the hollow screw nut (25).
- G - Turn the spindle lock-nut (27) and the adjusting nut (26) to the position marked (see 1.1.D) and make up against each other.
- H - Change the coupling (39) and lightly tighten the cap (4). Move the lever (9) towards position A as far as the constructive catcher. Definitively tighten the cap (4).

2. Adjusting the firing pressure.

- A - Proceed according to points 1.1.A, 1.1.B, 1.1.C.
- B - Proceed according to points 1.2.F, 1.2.H.



ES

Full lift safety valve with spring loading (AIT) model 486 - ES.

1. Disassembly and assembly.

1.1 Disassembly.

To replace the spring (22), or clean any of the internal components of the valve, proceed in the following manner:

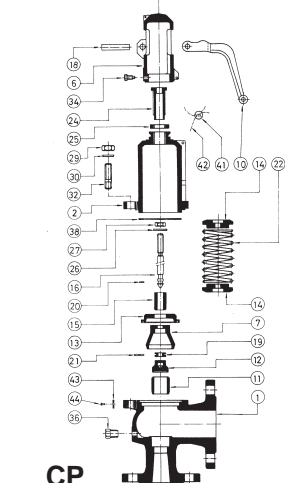
- A - Unscrew the cap (5) and remove.
- B - Holding the spindle (16) steady, loosen the hollow screw nut (25) and the hollow screw (24) until you note a releasing of the spring (22).
- C - Unscrew the nuts (29) and remove them, together with the studs (32) and their washers (30).
- F - Lift the cover (2) and you will have access to all of the components.

1.2 Assembly.

- A - Place the safety-ring (20) on the spindle (16) and press it against the gasket (12).
- B - In the spindle channel (16) connect the ring (19) and fix it to the security-ring (21). Introduce the elevator (7) into the upper part of the spindle (16) and press this against the previously described pieces.
- C - Enter the guide (13), the separator (15), the spring-press (14), the spring (22), the spring-press (14) through the upper part of the spindle (16) in a correlative manner.
- D - Replace the washers (38) and the cover (2).
- E - Place the washers (30) on the studs (32) and make up the nuts (29) diagonally, checking the correct alignment of the cover (2).
- F - Adjust the firing pressure with the hollow screw (24) and fix the adjustment position with the hollow screw nut (25).
- G - Change the coupling (39) and tighten the cap (5).

2. Adjusting the firing pressure.

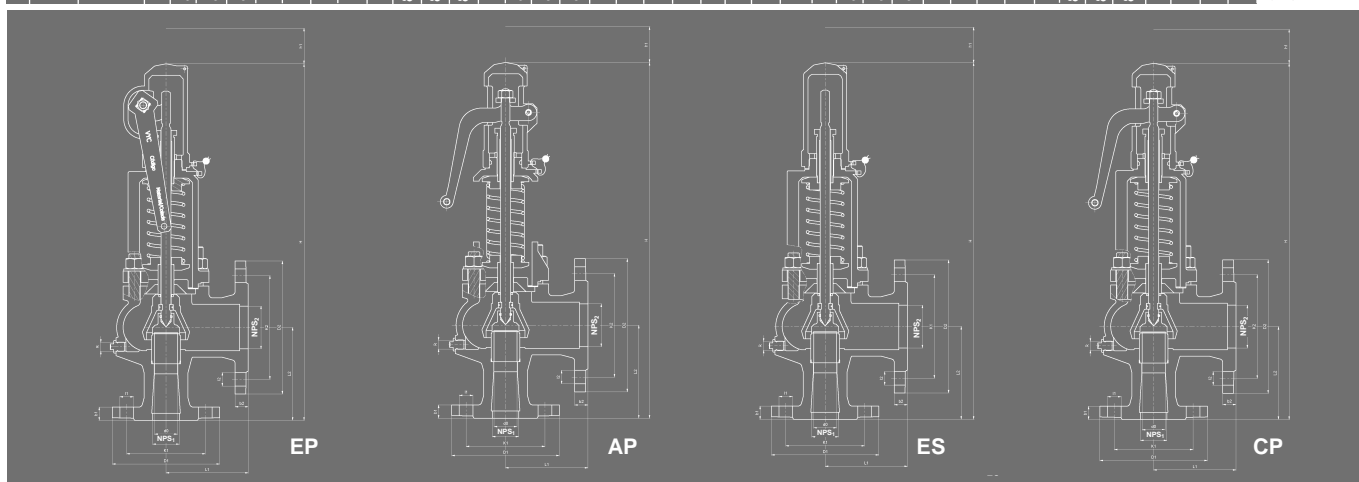
- A - Proceed according to points 1.1.A, 1.1.B.
- B - Proceed according to points 1.2.F, 1.2.G.



CP

NPS ₁ x NPS ₂	1" x 2"	1 1/2" x 2"	1 1/2"x2 1/2"	1 1/2"x3"(2"x3")*	2"x 3"(3"x4")*	3 x 4"(4"x6")*	4" x 6"	4" x 6"	6" x 8"	8" x 10"			
API Orifice Letter	D - E	F	G	H	J	L	N	P	Q	T			
do	0,63	0,79	0,98	1,26	1,57	1,97	2,48	3,03	4,33	6,10			
Ao = $\frac{do^2}{4}$	0,31	0,49	0,76	1,25	1,95	3,04	4,83	7,22	14,73	29,25			
H	14,45	16,22	17,17	19,61	21,46	26,18	29,33	31,89	42,13	47,24			
h ¹	4,41	5,08	5,08	5,83	5,83	7,52	7,52	7,52	9,72	13,03			
L ₁	4 1/2	4 3/4 (6)*	4 3/4 (6)*	4 7/8	4 7/8 (7 1/8)*	6 1/2 (7 1/8)*	8 1/4	9 (10)*	9 1/2	11			
L ₂	4 1/8	4 7/8	4 7/8	5 1/8	5 3/8 (7 1/4)*	6 1/8 (7 1/16)*	7 3/4	7 1/8 (8 7/8)*	9 7/16	10 7/8			
R	1/4"	1/4"	1/4"	1/4"	1/4"	3/8"	3/8"	3/8"	3/8"	3/8"			
Whitworth gas-tight cylindrical female thread ISO 228/ 1 de 1978 (DIN-259)													
INTAKE FLANGE Class: 150 lb ASME/ANSI B16.5	D ₁	4,25	5,00	5,00	5,00	6,00	7,50	9,00	9,00	11,00	13,50		
	K ₁	3,12	3,88	3,88	3,88	4,75	6,00	7,50	7,50	9,50	11,75		
	I ₁	0,63	0,63	0,63	0,63	0,77	0,96	0,96	0,96	1,02	1,14		
	b ₁	5/8	5/8	5/8	5/8	3/4	3/4	3/4	3/4	7/8	7/8		
	DRILLS N.º	4	4	4	4	4	4	8	8	8	8		
INTAKE FLANGE Class: 300 lb ASME/ANSI B16.5	D ₁	4,88	6,12	6,12	6,12	6,50	8,25	10,00	10,00	12,50	15,00		
	K ₁	3,50	4,50	4,50	4,50	5,00	6,62	7,88	7,88	10,62	13,00		
	I ₁	0,70	0,83	0,83	0,83	0,89	1,14	1,27	1,27	1,46	1,64		
	b ₁	3/8	7/8	7/8	7/8	3/4	7/8	7/8	7/8	7/8	1		
	DRILLS N.º	4	4	4	4	8	8	8	8	12	12		
ESCAPE FLANGE Class: 150 lb ASME/ANSI B16.5	D ₂	6,00	6,00	7,50	7,50	7,50	9,00	11,00	11,00	13,50	17,50		
	K ₂	4,75	4,75	5,88	6,00	6,00	7,50	9,50	9,50	11,75	15,25		
	I ₂	0,77	0,77	0,89	0,96	0,96	0,96	1,02	1,02	1,14	1,20		
	b ₂	3/4	3/4	7/8	3/4	3/4	3/4	7/8	7/8	7/8	1 1/8		
	DRILLS N.º	4,00	4,00	4,00	4,00	4,00	8,00	8,00	8,00	8,00	12,00		
MODEL	EP	AP	ES	CP	EP	AP	ES	CP	EP	AP	ES	CP	
	EP	AP	ES	CP	EP	AP	ES	CP	EP	AP	ES	CP	
PWEIGHT IN LB.	CAST STEEL	18,70	17,29	17,75	18,19	23,32	21,56	22,15	22,73	32,71	30,25	31,06	31,64
	STAINLESS STEEL	18,70	17,29	17,75	18,19	23,32	21,56	22,15	22,73	32,71	30,25	31,06	31,64
CODIGO	CAST STEEL	8104D	8104D	8104D	8104D	8124F	8124F	8124F	8124F	8124G	8124G	8124G	8124G
	STAINLESS STEEL	8102D	8102D	8102D	8102D	8122F	8122F	8122F	8122F	8122G	8122G	8122G	8122G

Center to face dimensions according API-526.
*Dimensions corresponding to 300x150 lbs.



RECOMMENDED RANGES OF APPLICATION					
MODEL		EP	AP ⁽¹⁾	ES	CP ⁽¹⁾
FLUID	SATURATED STEAM	T	T		T
	GASES	T		T	
	LIQUIDS	T		T	
PERMISSIBLE BACK PRESSURE IN % OF SET PRESSURE	INTERNAL OR GENERATED	SATURATED STEAM GASES	15		
		LIQUIDS	—		
	EXTERNAL VARIABLE (1)	SATURATED STEAM GASES	5		
		LIQUIDS	—		
	EXTERNAL CONSTANT (1)(2)(3)	SATURATED STEAM GASES	50		
		LIQUIDS	90		
% OVERPRESSURE	SATURATED STEAM GASES	10			
	LIQUIDS	25			

OPEN AND CLOSED PRESSURES IN % OF SET PRESSURE			
FLUID	PRESSURE IN psi	OPENING PRESSURE	CLOSING PRESSURE
SATURATED STEAM	< 43,51	+ 5 %	- 4,35 psi
	43,51	+ 5 %	- 10 %
LIQUIDS	< 43,51	+ 10 %	- 8,70 psi
	43,51	+ 10 %	- 20 %

- (1) If external backpressure exists, the AP and CP model cannot be used.
- (2) With external constant backpressure, the spring is adjusted deducting the backpressure from the set pressure.
- (3) If the set pressure < 43,51 psi we must consider the total atmospheric pressure (14,50 psi) as external constant backpressure being freely released.

If $p_a > 0,25p$, we must limit plug speed with the consequent reduction of the kd coefficient of discharge.
With the new reduced coefficient we determine the do, in order to remove the necessary volume.
 p_a = Backpressure permitted [psi] absolute.
 p = Set pressure [psi] absolute.
kd = Coefficient of discharge.

SET PRESSURES AND REGULATING RANGES

NPS ₁ x NPS ₂		1" x 2"	1 1/2" x 2"	1 1/2" x 2 1/2"	1 1/2" x 3" (2" x 3")	2" x 3" (3" x 4")	3" x 4" (4" x 6")	4" x 6"	4" x 6"	6" x 8"	8" x 10"	
API Orifice Letter		D-E	F	G	H	J	L	N	P	Q	T	
SET PRESSURES IN psi	MAXIMUM (LIQUIDS AND GASES)	150 lbs	284,20	284,20	284,20	284,20	284,20	284,20	284,20	145,04	116,03	
		300 lbs	580,15	580,15	580,15	464,12	464,12	464,12	362,59	290,08	145,04	116,03
	MAXIMUM (SATURATED STEAM)	150 lbs	284,20	284,20	284,20	284,20	284,20	284,20	284,20	284,20	145,04	116,03
		300 lbs	580,15	580,15	580,15	464,12	464,12	464,12	362,59	290,08	145,04	116,03
	MINIMUM	STEAM AND GASES	7,25	7,25	7,25	7,25	7,25	7,25	7,25	7,25	7,25	7,25
LIQUIDS		2,90	2,90	2,90	2,90	2,90	2,90	2,90	2,90	2,90	2,90	
SPRING REGULATING RANGE IN psi	2,90 a 9,86	CODE	56210 56390	56226 56406	56242 56422	56258 56438	56273 56453	56288 56468	56303 56483	56317 56497	56511	56521
	9,57 a 14,50	CODE	56211 56391	56227 56407	56243 56423	56259 56439	56274 56454	56289 56469	56304 56484	56318	56512	56522
	13,78 a 20,31	CODE	56212 56392	56228 56408	56244 56424	56260 56440	56275 56455	56290 56470	56305 56485	56319	56513	56523
	18,85 a 27,56	CODE	56213 56393	56229 56409	56245 56425	56261 56441	56276 56456	56291 56471	56306 56486	56320	56514	56524
	26,11 a 37,71	CODE	56214 56394	56230 56410	56246 56426	56262 56442	56277 56457	56292 56472	56307	56321	56515	56525
	36,26 a 52,21	CODE	56215 56395	56231 56411	56247 56427	56263 56443	56278 56458	56293 56473	56308	56322	56516	56526
	50,76 a 72,52	CODE	56216 56396	56232 56412	56248 56428	56264 56444	56279 56459	56294	56309	56323	56517	56527
	69,62 a 91,37	CODE	56217 56397	56233 56413	56249 56429	56265 56445	56280 56460	56295	56310	56324	56518	56528
	87,02 a 116,03	CODE	56218 56398	56234 56414	56250 56430	56266 56446	56281 56461	56296	56311	56325	56519	56529
	108,78 a 145,04	CODE	56219 56399	56235 56415	56251 56431	56267 56447	56282 56462	56297	56312	56326	56520	
	137,79 a 181,30	CODE	56220 56400	56236 56416	56252 56432	56268 56448	56283	56298	56313	56327		
	174,05 a 232,06	CODE	56221 56401	56237 56417	56253 56433	56269 56449	56284	56299	56314	56328		
	217,56 a 290,08	CODE	56222 56402	56238 56418	56254 56434	56270	56285	56300	56315	56329		
	261,07 a 362,59	CODE	56223 56403	56239 56419	56255 56435	56271	56286	56301	56316			
333,59 a 464,12	CODE	56224 56404	56240 56420	56256 56436	56272	56287	56302					
435,11 a 580,15	CODE	56225 56405	56241 56421	56257 56437								

— Spring steel (ASTM A228). Maximum temperature for EP, ES and CP 482°F / AP 752°F.

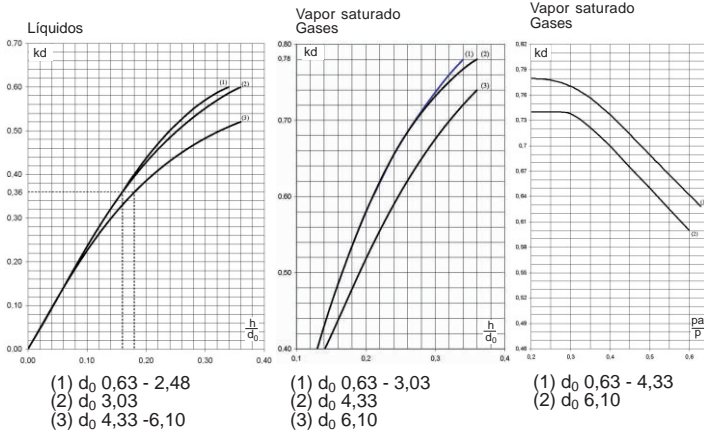
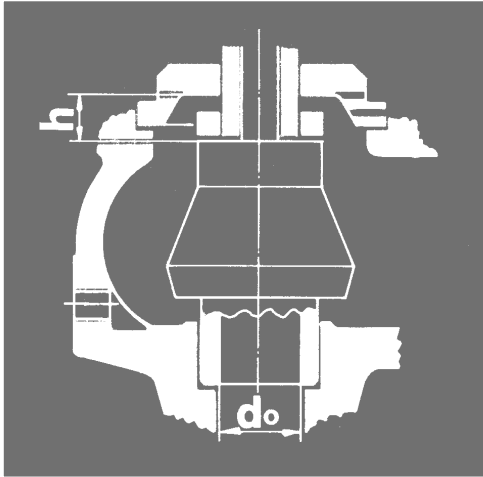
— Vanadium-chrome steel (AISI 6150).

— Stainless steel (AISI 301).

ASME code only applies to setted safety valves at 15 psi or above.

COEFFICIENT OF DISCHARGE

NPS ₁ x NPS ₂	1" x 2"	1 1/2" x 2"	1 1/2" x 2 1/2"	1 1/2" x 3"	2" x 3"	3" x 4"	4" x 6"	4" x 6"	6" x 8"	8" x 10"
API Orifice Letter	D-E	F	G	H	J	L	N	P	Q	T
do	0,63	0,79	0,98	1,26	1,57	1,97	2,48	3,03	4,33	6,10
h	0,28	0,35	0,47	0,47	0,71	0,71	0,79	1,14	1,45	2,21
h ¹	0,10	0,13	0,16	0,20	0,26	0,31	0,39	0,49	0,78	1,10
h/do	0,017	0,018	0,019	0,015	0,018	0,014	0,012	0,015	0,013	0,014
h ¹ /d _{a1}	0,006	0,006	0,006	0,006	0,006	0,006	0,006	0,006	0,007	0,007
COEFFICIENT OF DISCHARGE k _d	SATURATED STEAM GASES									
	LIQUIDS									
	LIQUIDS WITH RAPID LIMITER (1)									



NPS ₁ x NPS ₂	1" x 2"			1 1/2" x 2"			1 1/2" x 2 1/2"		
API Orifice Letter	D-E			F			G		
do	0,63			0,79			0,98		
$A_o = \frac{\pi \cdot d_o^2}{4}$	0,31			0,49			0,76		
p [psi]	I - Saturated steam in lb/h.								
	II - Air at 60°F and 14,50 psi in [S.C.F.M].								
SET PRESSURE IN psi	III - Water at 70°F in US - G.P.M..								
	I	II	III	I	II	III	I	II	III
15,00	401	143	40	626	223	63	978	348	98
21,76	491	175	45	768	273	70	1200	427	109
29,01	582	207	48	910	324	76	1421	506	118
36,26	681	242	52	1064	378	82	1662	591	128
43,51	781	278	56	1220	434	88	1906	678	137
50,76	880	313	60	1376	489	93	2149	765	145
58,02	980	349	63	1532	545	98	2393	851	154
65,27	1080	384	66	1688	600	103	2637	938	161
72,52	1180	420	69	1844	656	108	2881	1025	168
87,02	1380	491	75	2156	767	117	3368	1198	182
101,53	1579	562	80	2468	878	125	3856	1372	195
116,03	1779	633	85	2780	989	132	4343	1545	207
130,53	1979	704	89	3092	1100	140	4831	1719	218
145,04	2178	775	94	3404	1211	146	5318	1892	229
174,05	2578	917	102	4028	1433	159	6293	2239	249
203,05	2977	1059	110	4652	1655	171	7268	2586	268
232,06	3376	1201	117	5276	1877	182	8243	2933	285
261,07	3776	1343	123	5900	2099	193	9218	3279	301
290,08	4175	1485	130	6524	2321	203	10193	3626	317
319,08	4574	1627	136	7147	2543	212	11168	3973	332
348,09	4974	1769	142	7771	2765	221	12143	4320	346
377,10	5373	1912	147	8395	2987	230	13118	4667	359
406,11	5772	2054	153	9019	3209	238	14093	5014	373
435,11	6172	2196	158	9643	3431	247	15068	5361	385
464,12	6571	2338	163	10267	3653	254		5707	397
493,13		2480	168		3875	262		6054	409
522,14		2622	172		4097	269		6401	421
551,14		2764	177		4319	277		6748	432
580,15		2906	182		4541	284		7095	443

Calculated discharge capacities at set pressure +10% overpressure.

Discharge capacities at 30 psi and below are calculated at set pressure + 3 psi of overpressure.

DISCHARGE CAPACITY

1 1/2" x 3" (2"x3")	2" x 3" (3"x4")	3" x 4" (4"x6")	4" x 6"	4" x 6"	6" x 8"	8" x 10"
H	J	L	N	P	Q	T
1,26	1,57	1,97	2,48	3,03	4,33	6,10
1,25	1,95	3,04	4,83	7,22	14,73	29,25

For other, not so dense liquids, other than water at 70°F apply:

$$V_L = \sqrt{\frac{\rho_A}{\rho_L}} \cdot V_A \quad \text{ó} \quad V_A = V_L \cdot \sqrt{\frac{\rho_L}{\rho_A}}$$

V_A = Water flow according to table.
 V_L = Liquid flow.
 ρ_A = Water density at 70°F.
 ($\rho_A = 0,04 \text{ lb/in}^3$).
 ρ_L = Liquid density.

I	II	III	I	II	III	I	II	III	I	II	III	I	II	III	I	II	III	I	II	III
1602	570	161	2504	891	251	3912	1392	393	6211	2210	623	9278	3301	931	18935	6736	1647	35668	12689	3269
1965	699	178	3071	1093	278	4798	1707	435	7618	2710	690	11380	4049	1031	23225	8262	1824	43749	15564	3621
2329	828	194	3638	1294	303	5685	2022	473	9025	3211	751	13482	4796	1122	27515	9789	1985	51830	18439	3941
2723	969	210	4254	1514	327	6648	2365	512	10554	3755	812	15765	5609	1213	32174	11446	2146	60607	21562	4262
3122	1111	224	4878	1736	351	7623	2712	548	12102	4305	870	18078	6431	1299	36893	13125	2298	69496	24724	4563
3522	1253	238	5502	1958	372	8598	3059	582	13649	4856	924	20390	7254	1380	41612	14804	2441	78385	27887	4847
3921	1395	252	6126	2180	393	9573	3406	614	15197	5407	975	22702	8077	1456	46331	16483	2576	87275	31049	5114
4320	1537	264	6750	2402	412	10548	3752	645	16745	5957	1023	25014	8899	1529	51050	18162	2704	96164	34211	5368
4720	1679	276	7374	2624	431	11522	4099	674	18293	6508	1069	27327	9722	1598	55769	19840	2826	105053	37374	5611
5518	1963	298	8622	3068	466	13472	4793	728	21389	7609	1156	31951	11367	1728	65207	23198	3056	122831	43699	6067
6317	2247	319	9870	3511	499	15422	5487	779	24485	8711	1237	36576	13012	1848	74645	26556	3269	140609	50023	6491
7116	2532	339	11118	3955	529	17372	6180	827	27580	9812	1313	41200	14658	1962	84082	29913	3470	158387	56348	6889
7914	2816	357	12366	4399	558	19322	6874	872	30676	10913	1385	45825	16303	2069	93520	33271	3659			
8713	3100	375	13614	4843	586	21272	7568	915	33772	12015	1453	50449	17948	2171	102958	36628	3839			
10311	3668	408	16110	5731	637	25172	8955	996	39963	14217	1581	59698	21238	2361						
11908	4236	438	18606	6619	685	29072	10343	1070	46155	16420	1699	68948	24529	2538						
13505	4805	467	21102	7507	729	32972	11730	1170	52346	18623	1809	78197	27819	2703						
15103	5373	494	23598	8395	771	36872	13118	1205	58538	20826	1913	87446	31110	2858						
16700	5941	519	26094	9283	811	40772	14505	1267	64729	23028	2012		34400	3005						
18298	6510	543	28590	10171	849	44672	15893	1326		25231	2106									
19895	7078	567		11059	885	48572	17280	1383		27434	2196									
	7646	589		11947	920		18667	1438		29636	2282									
	8214	610		12835	954		20055	1490												
	8783	631		13723	986		21442	1541												
	9351	651		14611	1017		22830	1590												

Calculus according to ASME code section VIII Div.1

FACT LIST FOR SAFETY VALVE CALCULS Calculus according to ASME code section VIII Div.1				Customer:					
				Theme:					
				Leaf:		Of:			
1	Consultation / Bid / Order								
2	Position N°:								
3	N° of units								
4	Regulation								
5	SERVICE CONDITIONS	Fluid							
6		Calculation temperature		°F					
7		State at moment of dischar. l = liquid, s = steam, g = gas		l <input type="checkbox"/>	s <input type="checkbox"/>	g <input type="checkbox"/>	l <input type="checkbox"/>	s <input type="checkbox"/>	g <input type="checkbox"/>
8		Molecular mass		lb/lbmol					
9		Adiabatic exponent	æ	Compressibility coe.	Z				
10		Density at moment of discharge		lb/in ³					
11		Coefficients	ψ max	χ					
12		Viscosity	in ² /s	lbf s/in ²					
13		Working pressure abs.		psi					
14		Set pressure abs.		psi					
15		External back pressure abs.							
			constant	variable	psi				
16		Rated pressure abs.		psi					
17		Discharge capacity	Required: lb/h, [S.C.F.M.], US - G.P.M						
18	Possible: 1) lb/h, [S.C.F.M.], US - G.P.M								
19	VALVE CONSTRUCTION	Opening: Full lift / Normal / Progressive							
20		Manufacturer type							
21		Materials	Body						
22			Seat						
23			Plug						
24			Spring						
25			Joint						
26		Manual discharge action		yes / no					
27		Cover		Closed / Open					
28		Bellows		yes / no					
29		Body with drainage		yes / no					
30		Diameter of narrowest flow		d ₀	inch				
31		Section of narrowest flow		Necessary	A ₀	inch ²			
32		flow A ₀		Chosen	A ₀	inch ²			
33	Allowed discharge coefficient		kd						
34	CONNECTIONS	Input / Output	NPS	Flange		inch			
35				Thread		inch NPT			
36				Welding (soldering) ends					
37		Class							
38	Shape of joint surfaces (ASME/ANSI B16.5-2009)								
39	OBSERVATIONS	Unit weight		approx. lb					
40									
41									
42									
43	ACCEPTANCE	Certificate according to		EN-10204 2.2					
44		Certificate according to		EN-10204 3.1					
45									
Date:									
Department:									
Name:									