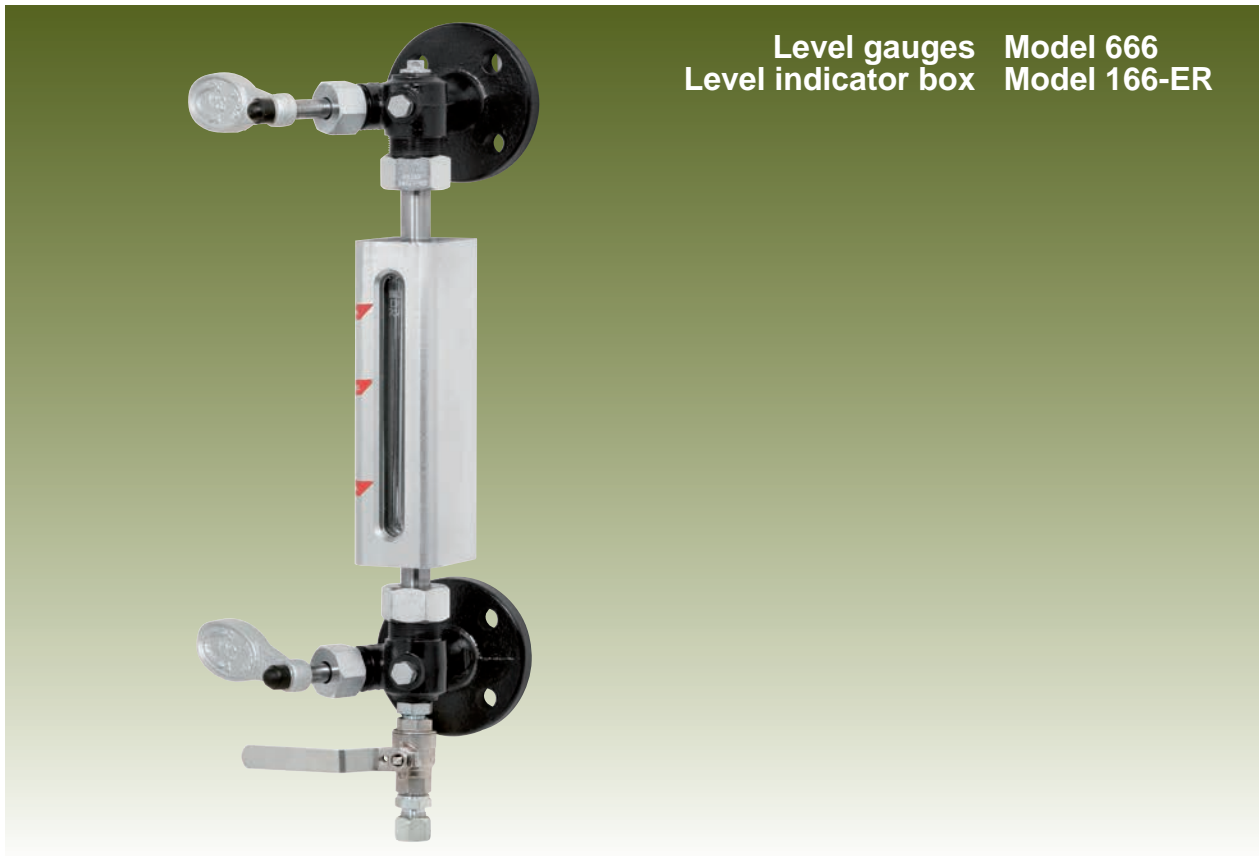


Round-dowel level indicator



EN ASME/ANSI



Level gauges Model 666
Level indicator box Model 166-ER

For use in boilers, receivers, cisterns, reservoirs, ...etc., to control the level of liquids, gases and steam. A multiple-slot polyprismatic viewer allows the level to be optically read, clearly differentiating liquid and gas phases from liquid ones.

Specifications

- Level gauges with replaceable floating or mobile needle seal and safety ball. Should the viewer break a pressure imbalance is caused which moves the ball onto the seating preventing the fluid from flowing out.
- Gauge activation by means of a fast control lever.
- Indiscriminate gauge assembly with lever on the right or on the left.
- Seals are highly tightness, exceeding the requirements of the EN 12266-1.
- Gauges with draining plugs allowing crystals and sediments to be thoroughly cleaned out by inserting a \varnothing 7 mm. rod.
- The round-dowell system, in certain applications, allows the level indicator box to be replaced with a \varnothing 20 mm. glass tube.
- Level box which can be positioned at any angle in the 360° .
- Maximum, medium and minimum level optical mobile indicators.
- Boron silicate viewer with the special feature that if accidentally broken it is not shed out in pieces.

IMPORTANT

When assembling remove the washer (19) of the gauge operating as the upper one. We advise you to perfect the system with a cleaning valve, 3/8" Mod. 999 connected to the draining tube, in order to check the level indicator and its state of cleanliness periodically.

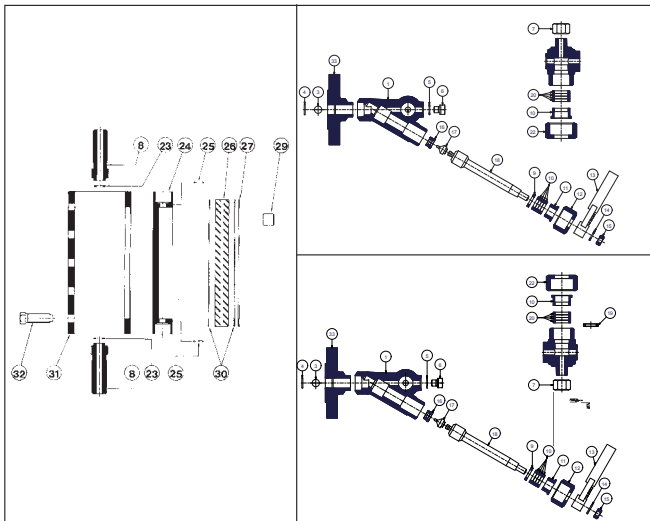
In steam boilers and other receivers with fluids that precipitate carry out at least one 2 ÷ 3 second cleaning session at 8 hour intervals.

Depending on demand:

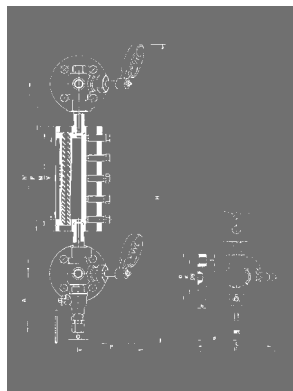
- Possibility of manufacture in other types of material, for use in special working conditions (high temperatures, fluids, etc.).
- Special gaskets.
- Transparent viewers with mica plates, recommendable for temperatures exceeding 250° C.
- Possibility to replace the level indicator box for \varnothing 20 mm. glass tube and to fit it out with a protective pipe in case that it should be necessary.
- Boxes with special dowels for other distances between flange centres.
- Link boxes for viewing long levels.

Nº. PIECE	PIECE	MATERIAL																			
		CAST STEEL		CAST STEEL		STAINLESS STEEL															
1,2	Body	Cast steel (EN-1.0619)		Cast steel (EN-1.0619)		Stainless steel (EN-1.4408)															
3	Safety ball	Stainless steel (EN-1.4401)		Stainless steel (EN-1.4401)		Stainless steel (EN-1.4401)															
4	Safety ring	Stainless steel (EN-1.4310)		Stainless steel (EN-1.4310)		Stainless steel (EN-1.4310)															
5/23	Coupling	Aluminium/Copper		Aluminium/Copper		PTFE (Teflón)															
6	Screw	Carbon steel (EN-1.1151)		Carbon steel (EN-1.1151)		Stainless steel (EN-1.4401)															
7	Cover/Cap*	Carbon steel (EN-1.1191)*		Carbon steel (EN-1.1191)*		Stainless steel (EN-1.4401)*															
8	Dowel	Stainless steel (EN-1.4305)		Stainless steel (EN-1.4305)		Stainless steel (EN-1.4401)															
9	Ring	Stainless steel (EN-1.4401)		Stainless steel (EN-1.4401)		Stainless steel (EN-1.4401)															
10,20	Seal	Graphite		Graphite		PTFE (Teflón)															
11,21	Gland	Carbon steel (EN-1.1191)		Carbon steel (EN-1.1191)		Stainless steel (EN-1.4401)															
12,22	Gland nut	Carbon steel (EN-1.1191)		Carbon steel (EN-1.1191)		Stainless steel (EN-1.4401)															
13	Lever	Nodular iron (EN-5.3106)		Nodular iron (EN-5.3106)		Nodular iron (EN-5.3106)															
14	Washer	Carbon steel (EN-1.1141)		Carbon steel (EN-1.1141)		Stainless steel (EN-1.4401)															
15	Nut	Carbon steel (EN-1.1141)		Carbon steel (EN-1.1141)		Stainless steel (EN-1.4401)															
16	Seating	Stainless steel (EN-1.4028)		Stainless steel (EN-1.4028)		Stainless steel (EN-1.4401)															
17	Seal	Stainless steel (EN-1.4401)		Stainless steel (EN-1.4401)		Stainless steel (EN-1.4401)															
18	Shaft	Stainless steel (EN-1.4028)		Stainless steel (EN-1.4028)		Stainless steel (EN-1.4401)															
19	Washer	Stainless steel (EN-1.4401)		Stainless steel (EN-1.4401)		Stainless steel (EN-1.4401)															
24	Box	Carbon steel (EN-1.1191)		Carbon steel (EN-1.1191)		Stainless steel (EN-1.4401)															
25	Gudgeon	Carbon steel (EN-1.1231)		Carbon steel (EN-1.1231)		Stainless steel (EN-1.4310)															
26	Viewer	Boron-Silicate		Boron-Silicate		Boron-Silicate															
27	Reglet	Stainless steel (EN-1.4401)		Stainless steel (EN-1.4401)		Stainless steel (EN-1.4401)															
29	Indicator arrow	Aluminium		Aluminium		Aluminium															
30	Coupling	Klingerit cardboard / Graphite		Klingerit cardboard / Graphite		Klingerit cardboard / Graphite															
31	Body	Carbon steel (EN-1.0570)		Carbon steel (EN-1.0570)		Stainless steel (EN-1.4408)															
32	Screw	Carbon steel (EN-1.1191)		Carbon steel (EN-1.1191)		Stainless steel (EN-1.4401)															
33	Flange	Carbon steel (EN-1.0460)		Carbon steel (EN-1.0460)		Stainless steel (EN-1.4401)															
DN		20 and 25																			
PN		16				40				40											
OPERATING CONDITIONS	MAX. PRESSURE IN bar	16	14,8	13,3	12,1	10,2	9,5	*RT	40	37,1	33,3	30,4	25,7	23,8	*RT	40	40	33,7	31,8	28,5	27,4
	MAX. TEMP. IN °C	*RT	100	200	250	350	400	*RT	100	200	250	350	400	*RT	100	200	250	350	400		

*Room Temperature (-10 °C a 50 °C)



LEVEL GAUGE	UPPER				LOWER												
	DN	20	25		20	25											
NPS	3/4"	1"			3/4"	1"											
A	—	—			110	100											
L	183	185			183	185											
L ¹	198	200			198	200											
P	155	155			155	155											
d	105	107			105	107											
O	—	—			12	12											
		D	K	I	b	D	K	I	b	D	K	I	b	D	K	I	b
EN 1092-1 PN-16/40	105	75	14	18	115	85	14	18	105	75	14	18	115	85	14	18	
ASME/ANSI B16.5 150 lbs	100	69,90	15,90	13,20	110	79,40	15,90	14,70	100	69,90	15,90	13,20	110	79,40	15,90	14,70	
ASME/ANSI B16.5 300 lbs	115	82,60	19,10	16,30	125	88,90	19,10	17,90	115	82,60	19,10	16,30	125	88,90	19,10	17,90	
REDUCED PITCH Ø	15		15		15		15										
DRILLS N°.	4		4		4		4										
WEIGHT IN Kgs.	CAST STEEL		2,55		2,80		2,50		2,75								
	STAINL STEEL		2,55		2,80		2,50		2,75								
CODE 2101-1666	CAST STEEL PN-16	53441		51041		53442		51042									
	CAST STEEL PN-40	83441		81041		83442		81042									
	ST STEEL PN-40	83421		81021		83422		81022									
	CAST STEEL 150#	534411		510411		534421		510421									
	CAST STEEL 300#	834412		810412		834422		810422									
	ST STEEL 150#	834211		810211		834221		810221									
		834212		810212		834222		810222									



Nº. LEVEL INDICATOR BOX	0	I	II	III	IV	V	VI	VII	VIII	IX	X
h ¹	285	305	330	355	380	410	445	470	510	530	560
V	75	95	120	145	170	200	230	260	300	320	350
M	95	115	140	165	190	220	250	280	320	340	370
F	115	135	160	185	210	240	275	300	340	360	390
H	518	538	563	588	613	643	678	703	743	763	793
WEIGHT IN Kgs.	CARBON STEEL PN-16	2,84	3,30	3,89	4,40	4,97	5,59	6,20	6,79	7,40	8,40
	CARBON STEEL PN-40	2,84	3,30	3,89	4,40	4,97	5,59	6,20	6,79	7,40	8,40
	STAINLESS STEEL PN-40	2,98	3,39	4,05	4,46	5,11	5,80	6,60	7,00	7,80	8,40
CODE 2101-166.	CARBON STEEL PN-16	53440	53441	53442	53443	53444	53445	53446	53447	53448	53449
	CARBON STEEL PN-40	83440	83441	83442	83443	83444	83445	83446	83447	83448	83449
	STAINLESS STEEL PN-40	83420	83421	83422	83423	83424	83425	83426	83427	83428	83429