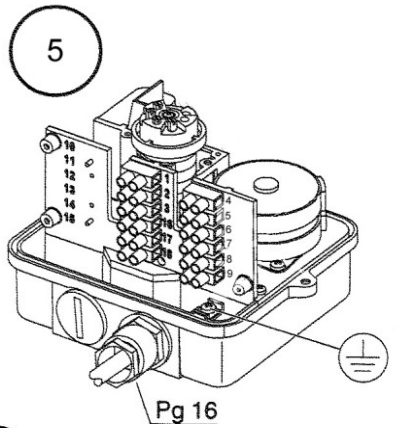
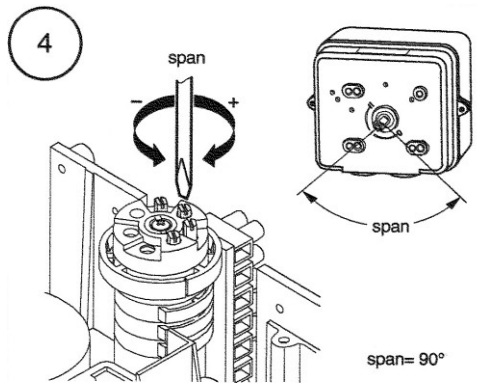
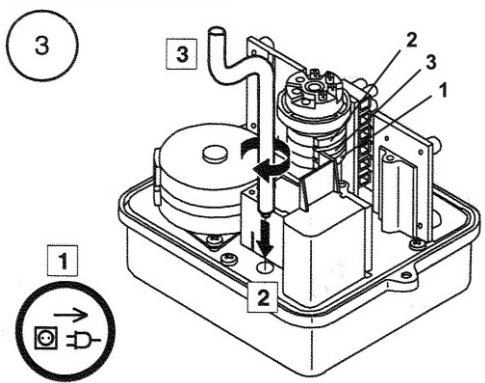
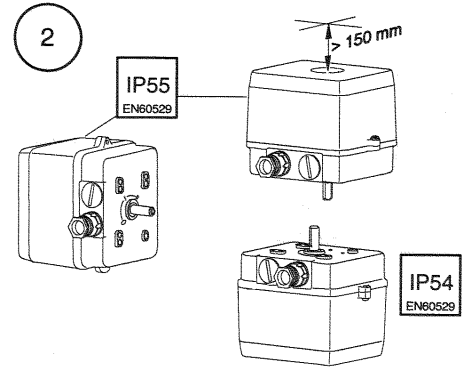
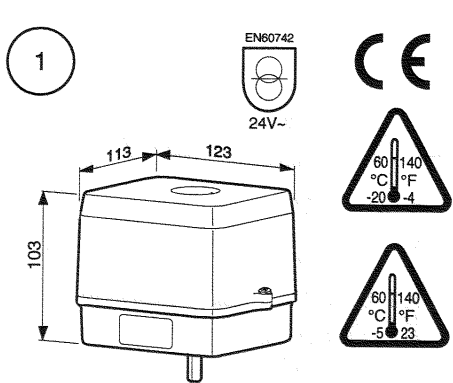


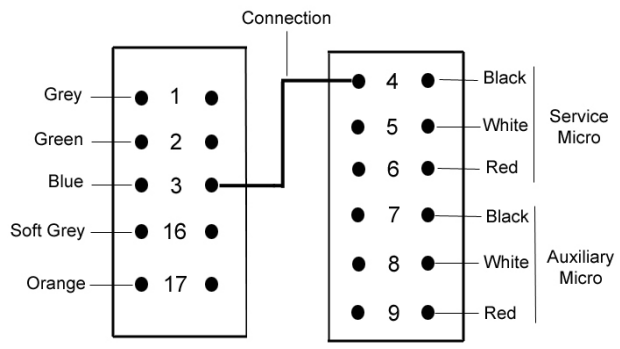
www.vycindustrial.com

Avenç del Davi, 22 Pol. Ind. Can Petit 08227 TERRASSA (Barcelona) SPAIN  
 +34 93 735 76 90 +34 93 735 81 35 119 @info@vycindustrial.com

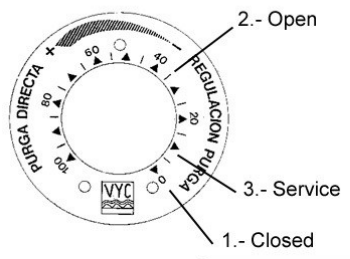
## Automatic continuous desalting valve Mod.560-A Assembly instructions for the servo-motor



6 Terminal connections



7 Micro adjustments by VYC



		Terminal stress	Pos. Lever	
1	Closed	1	3	0
3	Open	1	2	35
2	Service	1	5	8