

## NORDICLIGHTS

Nordic Lights™ is a company based in Finland which designs and manufactures LED, HID (Xenon), and Halogen work lamps for the heavy duty on-road and off-road industry. They remain a pioneer in supplying light technology to heavy duty equipment.

Nordic Lights can be found on machines and vehicles within the mining, construction, forestry, agricultural, material handling and truck, trailer and emergency industries. They supply lighting solutions to many of the world's leading manufacturers of heavy duty machinery.

The Nordic Lights work lamps are used in the most difficult and demanding working environments all over the world. The visibility offered by the high quality optics of the lights supports machines in maintaining high working efficiency during dark working hours while the lights themselves need very little maintenance. The use of Nordic Lights products ensures that darkness, vibration, shock, dust, and humidity will not affect visibility when the results of your work and safety depend on effective lighting.

This catalogue showcases a range of popular Nordic Lights products. Not all products are available in all markets. Due to continuous improvement product specifications and design may change. Illustrations do not necessarily show the design of every version and some features are version specific. The lumens output varies depending on lens colour.

Please contact your Wood Auto Account Manager if you require additional information or details about any other product in the Nordic Lights range.

## Product Range

PRODUCT	VOLTAGE	POWER	LUMENS	PAGE
<b>LED Work Lamps</b>				
N10 Capella	12-48V	6W	350lm	1
N2001 Canis	12-48V	13W	850lm	2
N2401 Spica	12-24V	24W	750lm	3
N42 Scorpius	12-24V	25W	1350lm	4
N31 Virgo	12-24V	35W	2100lm	5
N33 Antares	12-24V	35W	2100lm	6
N460 Centaurus	24V	60W	2700lm	7
<b>HID Work Lamp</b>				
N45	12-24V	35W	2500lm	8
<b>LED Tail Lamp</b>				
N70 Dorado LED Tail Lamp	12-24V	-	-	9

## N10 Capella LED

The N10 Capella LED work lamp is an extremely compact in size and light in weight. This work lamp can be mounted in very tight places where you may not be able to fit a standard work lamp.

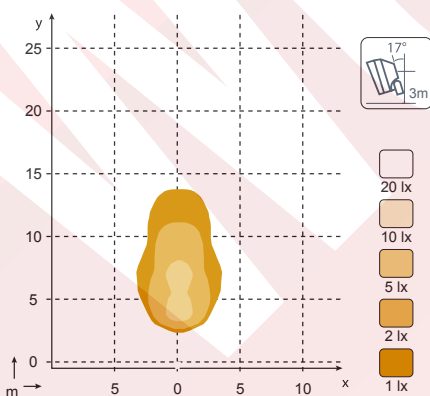
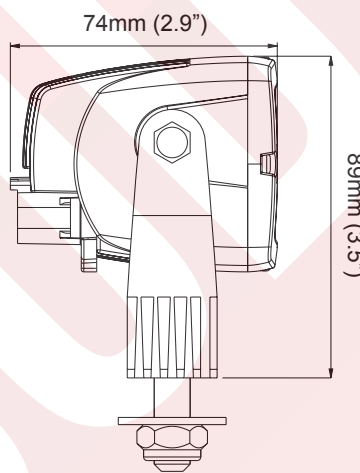
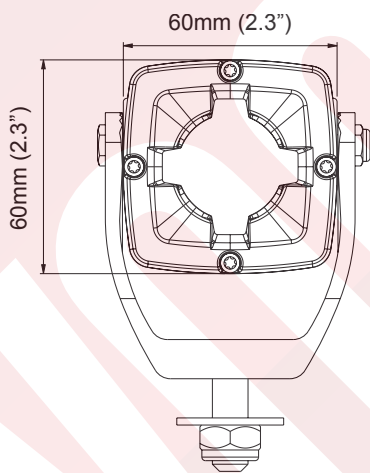
The N10 is part of the Capella LED range and is also available with a standard bracket instead of the heavy duty bracket shown.

### NOR980-001B

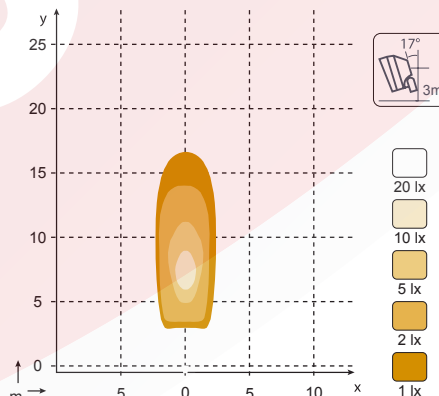
N10 LED, 12-48V, 6W, 350lm, Flood Pattern, Transparent Lens, Deutsch Connector, Heavy Duty Bracket.

### NOR980-002B

N10 LED, 12-48V, 6W, 350lm, Wide Flood Pattern, Transparent Lens, Deutsch Connector, Heavy Duty Bracket.



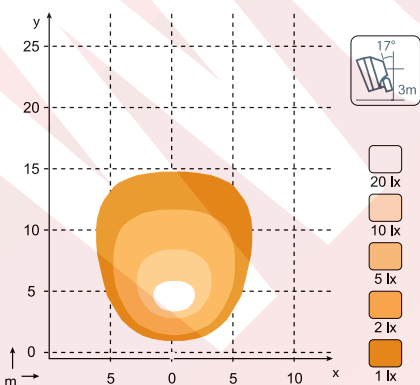
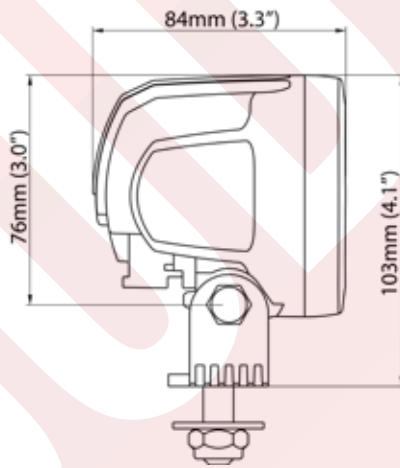
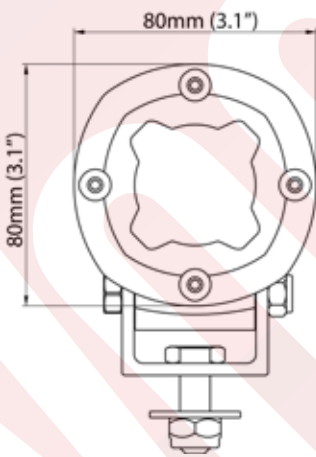
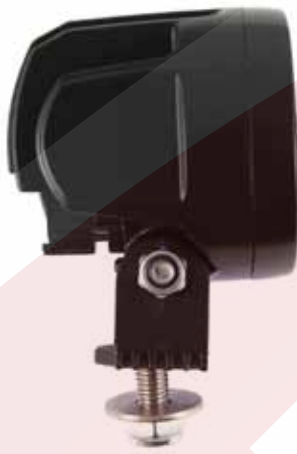
NOR980-002B Wide Flood Pattern



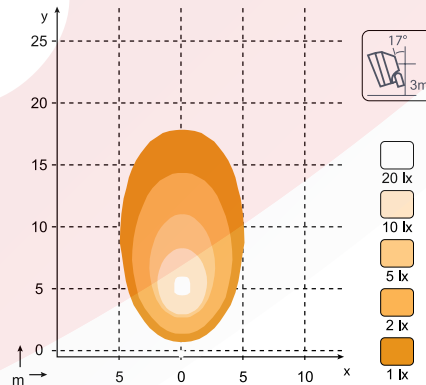
NOR980-001B Flood Pattern

### SPECIFICATION:

Theoretical Lumens Output	.....	550lm
Operational Lumens Output	.....	350lm
Colour Temperature	.....	6000K
Nominal Voltage DC	.....	12-48V
Input Voltage Range DC	.....	9-68V
Power Consumption	.....	.6W
Nominal Current at 12V	.....	.05A
Nominal Current at 24V	.....	.025A
Nominal Current at 48V	.....	.013A
Electronics	.....	Integrated, Coated Seal
Connector	.....	Built-in Deutsch 2-pin
Mount	.....	Single Bolt M10
Shock	.....	60G
Vibration	.....	15.3Grms 24-2000Hz
Lens	.....	PC
Body	.....	Aluminium
Weight	.....	0.3kg
IP Rating	.....	IP68, IP6K9K, SAE J1455
Salt Mist	.....	ISO 9227 240H
EMC	.....	ISO 13766, ISO14982, ISO7637-2,
		CISPR 25 Class 3
Operating Temperature	.....	-40°C to +85°C



NOR980-101B Wide Flood Pattern



NOR980-102B Flood Pattern

## N2001 Canis LED

The N2001 Canis LED work lamp offers an ultra compact and lightweight lighting solution.

Suitable for mounting in tight spaces and delivers strong illumination relative to its size. Suitable for applications in demanding work environments.

### NOR980-101B

N2001 LED, 12-48V, 13W, 850lm, Wide Flood Pattern, Transparent Lens, Deutsch Connector.

### NOR980-102B

N2001 LED, 12-48V, 13W, 850lm, Flood Pattern, Transparent Lens, Deutsch Connector.

### SPECIFICATION:

Theoretical Lumens Output	. . . . .1350lm
Operational Lumens Output	. . . . .850lm
Colour Temperature	. . . . .5700K
Nominal Voltage DC	. . . . .12-48V
Input Voltage Range DC	. . . . .9-68V
Power Consumption	. . . . .13W
Nominal Current at 12V	. . . . .1.08A
Nominal Current at 24V	. . . . .0.54A
Nominal Current at 48V	. . . . .0.27A
Electronics	. . . . .Integrated
Connector	. . . . .Built-in Deutsch 2-pin
Mount	. . . . .Single Bolt M10
Shock	. . . . .60G
Vibration	. . . . .8Grms 24-2000Hz
Lens	. . . . .PC
Body	. . . . .Aluminium
Weight	. . . . .0.6kg
IP Rating	. . . . .IP68, IP6K9K, SAE J1455
Salt Mist	. . . . .ISO 9227 240H
EMC	. . . . .ISO 13766, ISO14982, ISO7637-2, CISPR 25 Class 3
Operating Temperature	. . . . .-40°C to +85°C

## N2401 Spica LED

The N2401 Spica LED work lamp offers a durable compact lighting solution.

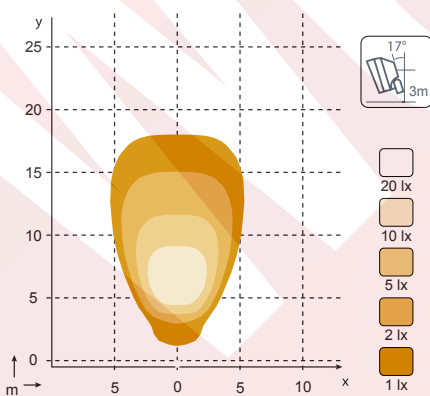
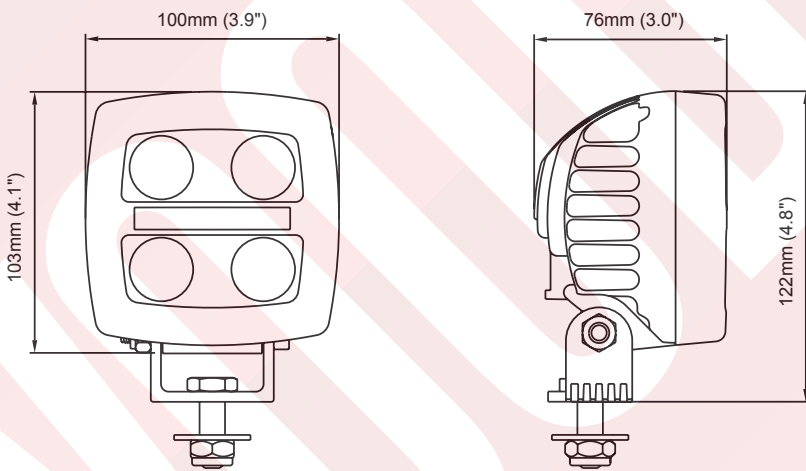
The N2401 is part of the Spica LED range and is also available at four different lumens levels (2700lm to 6000lm) and five different lens colours. It is also available as a reverse light, with a handle and switch, multi-voltage for fork trucks, and also with a dimmable function.

### NOR981-301B:

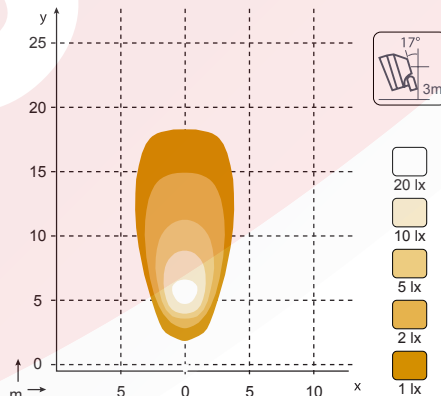
N2401 LED, 12-24V, 24W, 750lm, Wide Flood Pattern, Transparent Lens, Deutsch Connector.

### NOR981-302B:

N2401 LED, 12-24V, 24W, 750lm, Flood Pattern, Transparent Lens, Deutsch Connector.



NOR981-301B Wide Flood Pattern

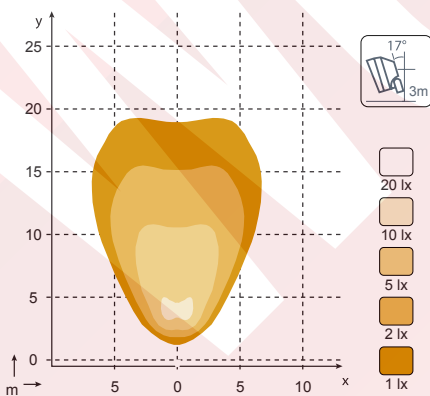
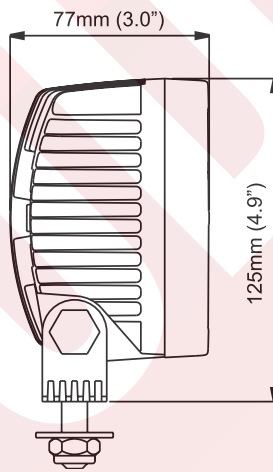
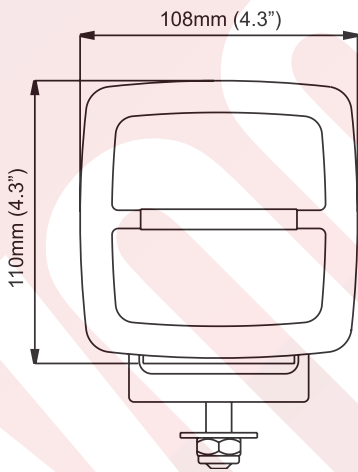


NOR981-302B Flood Pattern

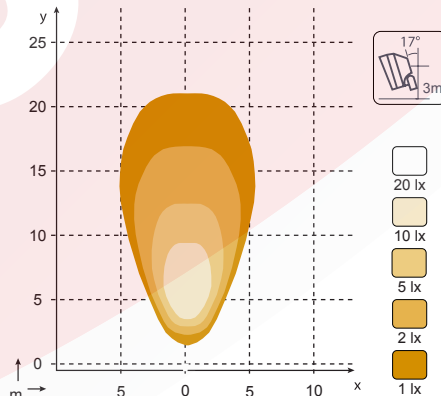
### SPECIFICATION:

Theoretical Lumens Output . . . . .	1200lm
Operational Lumens Output . . . . .	750lm
Colour Temperature . . . . .	5700K
Nominal Voltage DC . . . . .	12-24V
Input Voltage Range DC . . . . .	9-32V
Power Consumption . . . . .	24W
Nominal Current at 12V . . . . .	2.0A
Nominal Current at 24V . . . . .	1.0A
Electronics . . . . .	Integrated
Connector . . . . .	Built-in Deutsch 2-pin
Mount . . . . .	Single Bolt M10
Shock . . . . .	60G
Vibration . . . . .	8Grms 24-2000Hz
Lens . . . . .	PC
Body . . . . .	Aluminium
Weight . . . . .	0.9kg
IP Rating . . . . .	IP68, IP6K9K, SAE J1455
Salt Mist . . . . .	ISO 9227 240H
EMC . . . . .	ISO 13766, ISO14982, ISO7637-2, CISPR 25 Class 3
Operating Temperature . . . . .	-40°C to +85°C





NOR984-201 Wide Flood Pattern



NOR984-002 Flood Pattern

## N42 Scorpius LED

The N42 Scorpius LED work lamp offer outstanding illumination and is suitable for harsh conditions and a range of applications.

The N42 is part of the Scorpius LED range and is available with six different lumens levels (1350lm to 4200lm) and five different lens colours.

### NOR984-201:

N42 LED, 12-24V, 23W, 2700lm, Wide Flood Pattern, Transparent Lens, Undampened, Deutsch Connector.

### NOR986-002:

N42 LED, 12-24V, 23W, 2700lm, Flood Pattern, Transparent Lens, Undampened, Deutsch Connector.

### SPECIFICATION:

Theoretical Lumens Output	. . . . .	2200lm
Operational Lumens Output	. . . . .	1350lm
Colour Temperature	. . . . .	5700K
Nominal Voltage DC	. . . . .	12-24V
Input Voltage Range DC	. . . . .	9-32V
Power Consumption	. . . . .	.25W
Nominal Current at 12V	. . . . .	.20A
Nominal Current at 24V	. . . . .	.10A
Electronics	. . . . .	Integrated
Connector	. . . . .	Built-in Deutsch 2-pin
Mount	. . . . .	Single Bolt M10
Shock	. . . . .	60G
Vibration	. . . . .	15.3Grms 24-2000Hz
Lens	. . . . .	PC
Body	. . . . .	Aluminium
Weight	. . . . .	1.2kg
IP Rating	. . . . .	IP68, IP6K9K, SAE J1455
Salt Mist	. . . . .	ISO 9227 240H
EMC	. . . . .	ISO 13766, ISO14982, ISO7637-2, CISPR 25 Class 3
Operating Temperature	. . . . .	-40°C to +85°C

## N31 Virgo LED

The N31 Virgo LED work lamp delivers high durability with low maintenance. The lamp is made to withstand tough conditions.

The N31 is part of the Virgo LED range and is also available at four different lumens levels (2000lm to 4200lm) and five different lens colours.

### NOR985-101:

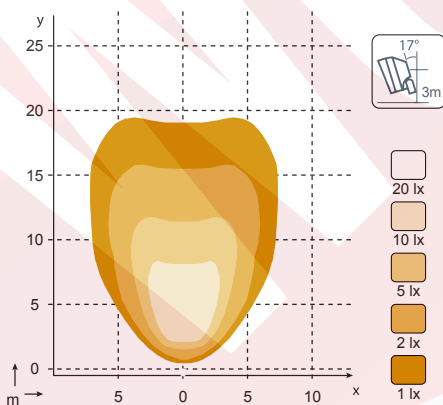
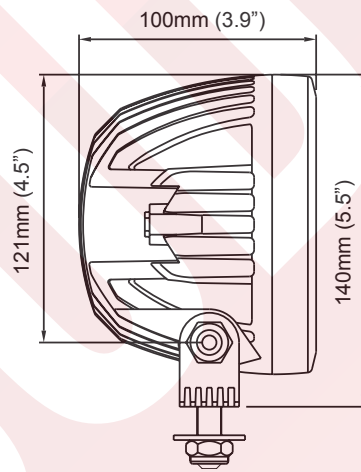
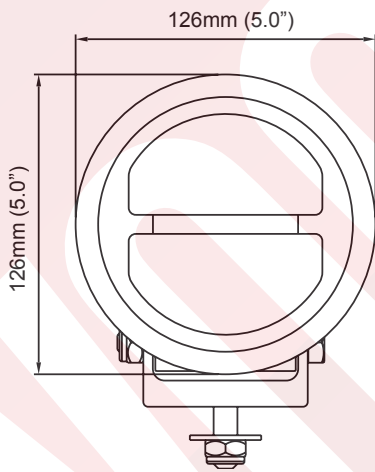
N31 LED, 12-24V, 35W, 2100lm, Wide Flood Pattern, Transparent Lens, Deutsch Connector.

### NOR986-002:

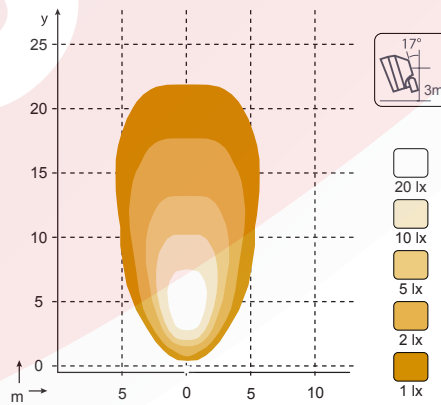
N31 LED, 12-24V, 35W, 2100lm, Flood Pattern, Transparent Lens, Deutsch Connector.

### SPECIFICATION:

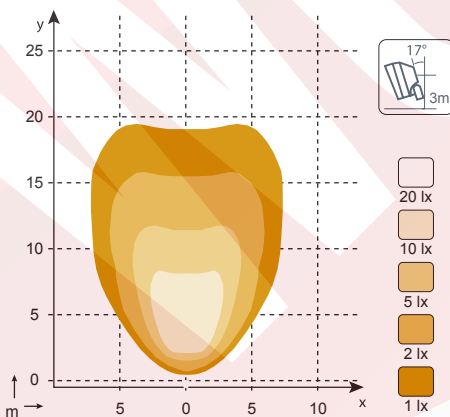
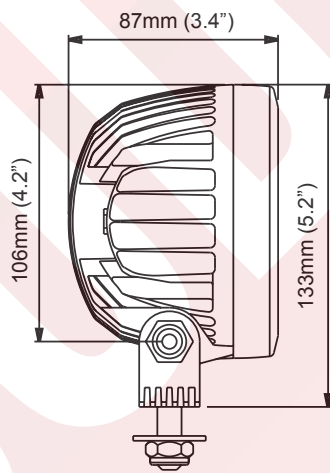
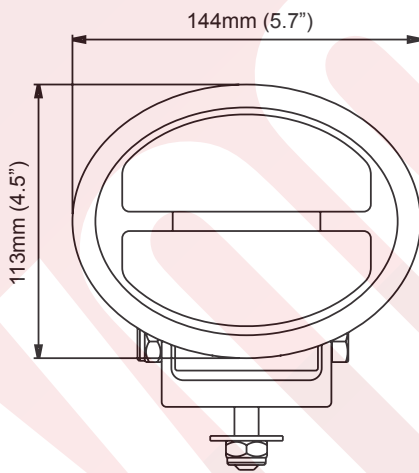
Theoretical Lumens Output . . . . .3400lm  
 Operational Lumens Output . . . . .2100lm  
 Colour Temperature . . . . . 5700K  
 Nominal Voltage DC . . . . .12-24V  
 Input Voltage Range DC . . . . .9-32V  
 Power Consumption . . . . .35W  
 Nominal Current at 12V . . . . . 3.0A  
 Nominal Current at 24V . . . . .1.5A  
 Electronics . . . . . Integrated  
 Connector . . . . . Built-in Deutsch 2-pin  
 Mount . . . . . Single Bolt M10  
 Shock . . . . . 60G  
 Vibration . . . . . 15.3Grms 24-2000Hz  
 Lens . . . . . PC  
 Body . . . . . Aluminium  
 Weight . . . . . 1.6kg  
 IP Rating . . . . . IP68, IP6K9K, SAE J1455  
 Salt Mist . . . . . ISO 9227 240H  
 EMC . . . . . ISO 13766, ISO14982, ISO7637-2,  
 CISPR 25 Class 3  
 Operating Temperature . . . . . -40°C to +85°C



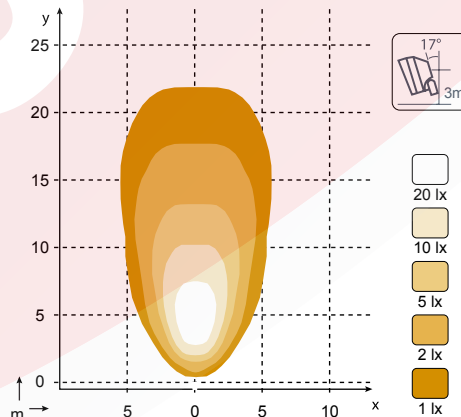
NOR985-101 Wide Flood Pattern



NOR985-102 Flood Pattern



NOR985-301 Wide Flood Pattern



NOR985-302 Flood Pattern

## N33 Antares LED

The N33 Antares LED work lamp offers high durability with low maintenance. The lamp is made to withstand tough condition.

The N33 is part of the Antares LED range and is also available at four different lumens levels (from 2100lm to 4200lm) and five different lens colours (transparent, white, yellow, amber, red).

### NOR985-301:

N33 LED, 12-24V, 35W, 2100lm, Wide Flood Pattern, Transparent Lens, Undampened, Deutsch Connector.

### NOR985-302:

N33 LED, 12-24V, 35W, 2100lm, Flood Pattern, Transparent Lens, Undampened, Deutsch Connector.

### SPECIFICATION:

Theoretical Lumens Output . . . . .	3400lm
Operational Lumens Output . . . . .	2100lm
Colour Temperature . . . . .	5700K
Nominal Voltage DC . . . . .	12-24V
Input Voltage Range DC . . . . .	9-32V
Power Consumption . . . . .	35W
Nominal Current at 12V . . . . .	3.0A
Nominal Current at 24V . . . . .	1.5A
Electronics . . . . .	Integrated
Connector . . . . .	Built-in Deutsch 2-pin
Mount . . . . .	Single Bolt M10
Shock . . . . .	60G
Vibration . . . . .	15.3Grms 24-2000Hz
Lens . . . . .	PC
Body . . . . .	Aluminium
Weight . . . . .	1.5kg
IP Rating . . . . .	IP68, IP6K9K, SAE J1455
Salt Mist . . . . .	ISO 9227 240H
EMC . . . . .	ISO 13766, ISO14982, ISO7637-2, CISPR 25 Class 3
Operating Temperature . . . . .	-40°C to +85°C



## N460 Centaurus LED

The N460 Centaurus LED work lamp delivers stunning illumination and is equipped with XD dampening. The work lamp meets the expectations of the most demanding situation.

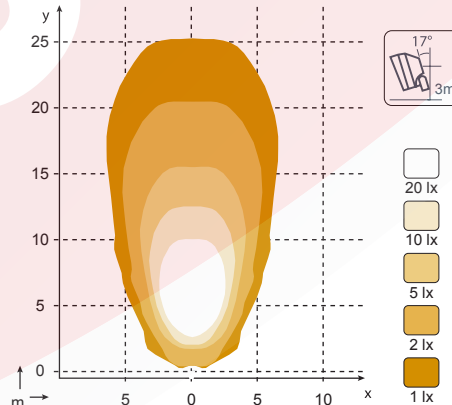
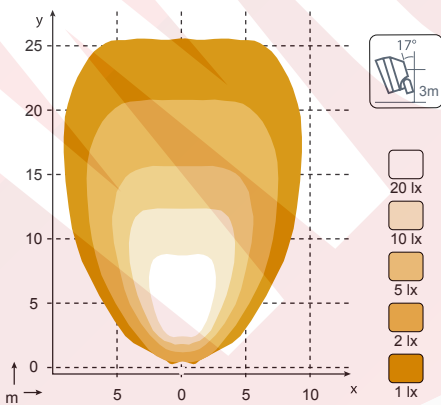
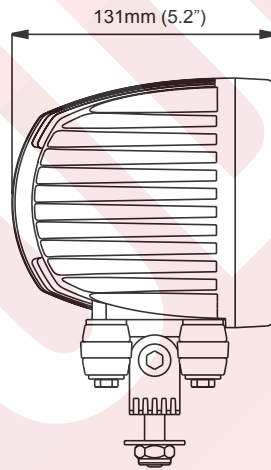
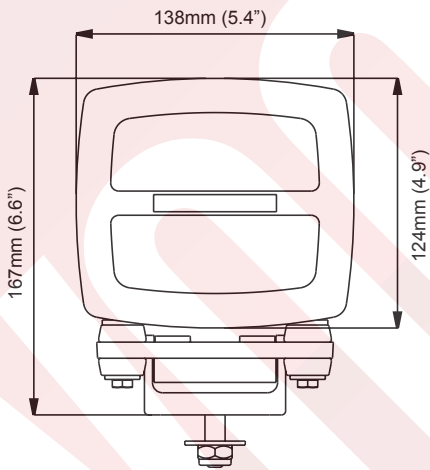
The N460 is part of the Centaurus LED range and is also available at two different lumens levels (2700lm or 6000lm) and five different lens colours and QD or XD dampening systems.

### NOR986-001:

N460 LED, 24V, 60W, 2700lm, Wide Flood Pattern, Transparent Lens, Xtreme Dampening, Deutsch Connector.

### NOR986-002:

N460 LED, 24V, 60W, 2700lm, Flood Pattern, Transparent Lens, Xtreme Dampening, Deutsch Connector.



NOR986-001 Wide Flood Pattern

NOR986-002 Flood Pattern

### SPECIFICATION:

Theoretical Lumens Output	... 4300lm
Operational Lumens Output	... 2700lm
Colour Temperature	... 6000K
Nominal Voltage DC	... 24V
Input Voltage Range DC	... 18-32V
Power Consumption	... 60W
Nominal Current at 24V	... 2.5A
Electronics	... Integrated
Connector	... Built-in Deutsch 2-pin
Mount	... Single Bolt M10
Shock	... 60G
Vibration	... 15.3Grms 24-2000Hz, 4.65Grms 12-2000Hz
Lens	... PC
Body	... Aluminium
Weight	... 2.9kg
IP Rating	... IP68, IP6K9K, SAE J1455
Salt Mist	... ISO 9227 240H
EMC	... ISO 13766, ISO14982, ISO7637-2, CISPR 25 Class 3
Operating Temperature	... -40°C to +85°C



# Nordic Lights HID Work Lamps

## N45 HID

The N45 HID is a compact Heavy Duty lighting solution. The light is highly resistance to shock and vibration.

The N45 range is also available with Xtreme Heavy Duty Dampening, 35W and 45W booster versions, and available with a handle.

### NOR990-032:

N45 HID, 12V, 35W, Flood Pattern, Transparent Lens, Deutsch Connector, Undampened.

### NOR990-033:

N45 HID, 24V, 35W, Flood Pattern, Transparent Lens, Deutsch Connector, Undampened.

### NOR990-034:

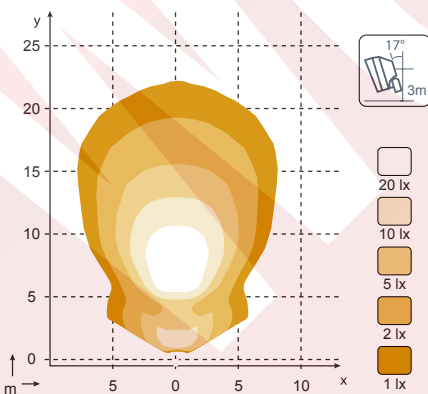
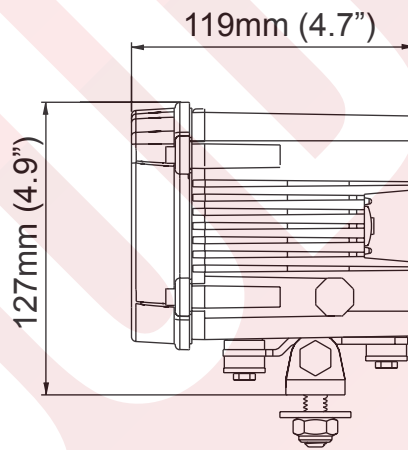
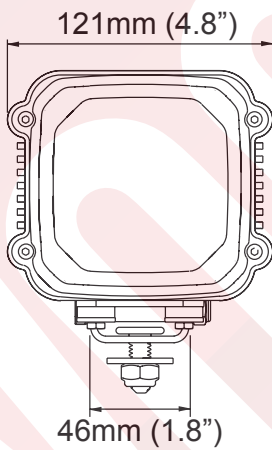
N45 HID, 12V, 35W, Wide Flood Pattern, Transparent Lens, Deutsch Connector, Undampened.

### NOR990-035:

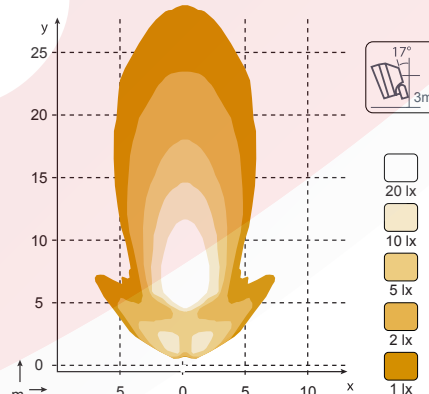
N45 HID, 24V, 35W, Wide Flood Pattern, Transparent Lens, Deutsch Connector, Undampened.

### SPECIFICATION:

Theoretical Lumens Output . . . . .3200lm  
 Operational Lumens Output . . . . .2500lm  
 Colour Temperature . . . . . 4250K  
 Nominal Voltage DC . . . . . 12V or 24V  
 Input Voltage Range DC 8-16V or 16-32V  
 Bulb . . . . .35W D1S  
 Nominal Current at 12V . . . . . 3.0A  
 Nominal Current at 24V . . . . . 1.5A  
 Electronics . . . . . Integrated  
 Connector . . . . . Built-in Deutsch 2-pin  
 Mount . . . . . Single Bolt M10  
 Shock . . . . . 50G  
 Vibration . . . . . 15.3Grms 24-2000Hz  
 Lens . . . . . Hardened Glass  
 Body . . . . . Aluminium  
 Weight . . . . . 1.1kg  
 IP Rating . . . . . IP68, IP6K9K, SAE J1455  
 Salt Mist . . . . . ISO 9227 240H  
 EMC . . . . . ISO 13766  
 Operating Temperature . . -40°C to +85°C



NOR990-034, -035 Wide Flood Pattern



NOR990-032, -033 Flood Pattern

## N70 Dorado LED

The N70 Dorado LED tail light is designed for continuous heavy duty applications on machines where incandescent tail lights will fail due to high vibration and shock. The Dorado LED features tail, stop, and indicator light. Also available as a flushmount version.

### NOR983-001B:

N70 LED, 24V, tail light.

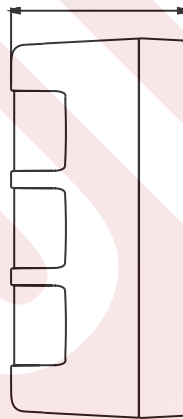
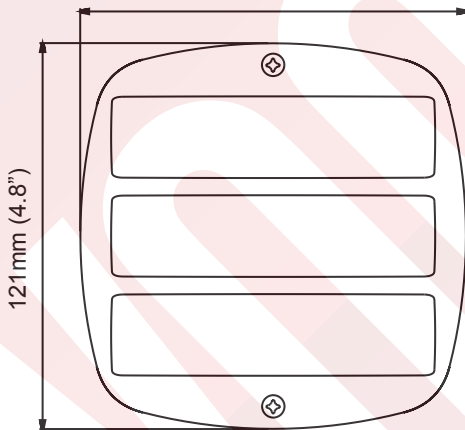
### NOR983-003B:

N70 LED, 12V, tail light.



121mm (4.8")

56mm (2.2")



### SPECIFICATION:

Approval	..... ECE E4 6R & 7R
Nominal Voltage DC	..... 12V or 24V
Input Voltage Range DC	8-16V or 18-32V
Tail Power Consumption	..... 0.4W
Brake Power Consumption	..... 1.4W
Indicator Power Consumption	..... 1.4W
Nominal Tail Current at 12V	..... 34mA
Nominal Brake Current at 12V	..... 116mA
Nominal Indicator Current at 12V	116mA
Nominal Tail Current at 24V	..... 17mA
Nominal Brake Current at 24V	..... 58mA
Nominal Indicator Current at 24V	58mA
Electronics	..... Integrated - Epoxy Encapsulated
Connector	.. 4 pin male terminal 6.3x0.8
Mount	..... M6x25 2pcs
Shock	..... 60G
Vibration	..... 20Grms 24-2000Hz
Lens	..... PC
Body	..... Polyamide
Weight	..... 0.4kg
Operating Temperature	.. -40°C to +85°C